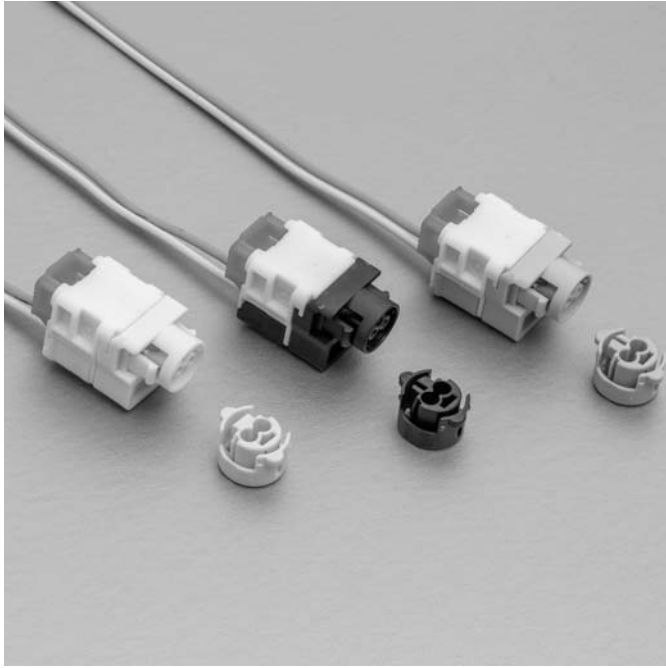


# SQN CONNECTOR

## Squib connectors



This connector for air-bag, conforming to ISO 19072-4 standard configuration, has intelligent CPA, which allows locking the connector, incomplete mating detection and release of short-circuit in the same time.

### Features

#### ● Inertial Locking

Intelligent CPA enables connector locking, prevent incomplete mating and release of short circuit in the same time.

#### ● Interface and Performance

Mated with retainer designed by ISO-19072-4 specification. Connector performance fulfills ISO-19072-2 specification.

#### ● Stability of Electrical Connection

Terminal has three contact points.

Terminal contact area is protected by ferrule to prevent any deformation.

#### ● Noise Suppression

Ferrite core provides simple and reliable noise suppression characteristics.

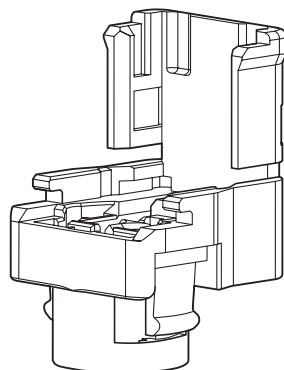
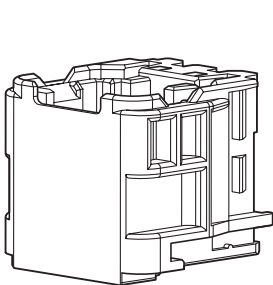
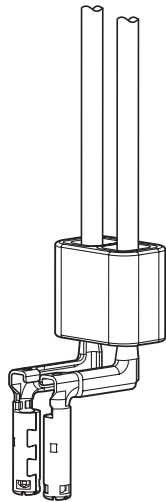
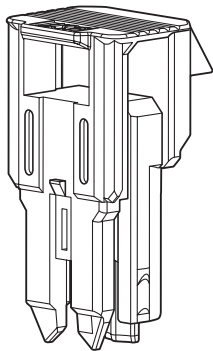
#### ● CPA

The CPA is designed to allow a comfortable locking and avoid the gripping of the connector by another wire.

4 mm stroke provides recognition of the CPA position.

#### ● Delivery

This connector is supplied both components and pigtail.



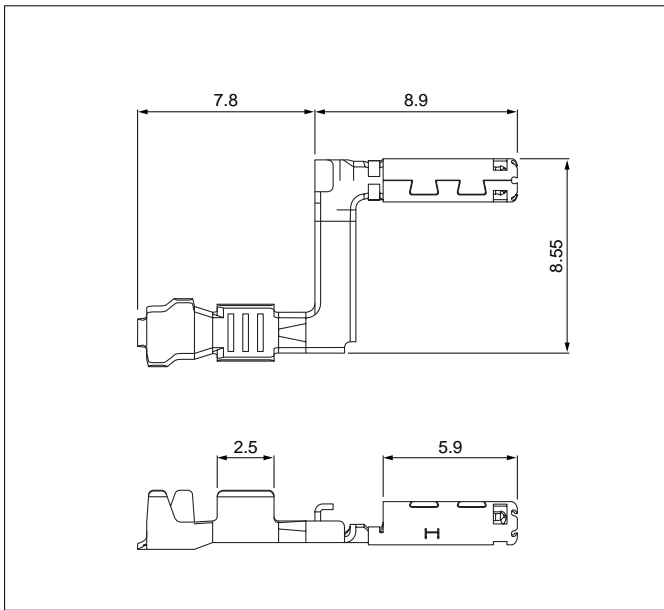
### Specifications

- Current rating: 3 A AC,DC max.
- Temperature range: -40°C to +105°C (including temperature rise in applying electrical current)
- Insulation resistance: 100 MΩ min.
- Applicable wire: 0.35 mm<sup>2</sup> & 0.5 mm<sup>2</sup>

\* Compliant with ELV/RoHS.

\* Contact JST for details.

## Female terminal

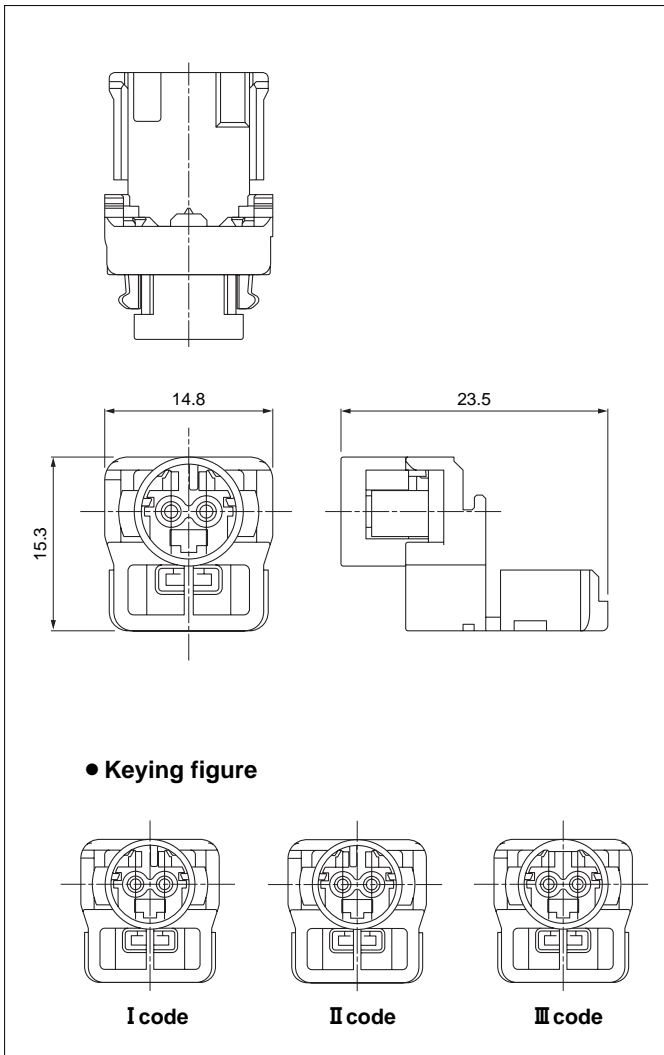


Model No.	Applicable wire range		Q'ty/reel
	Conductor (mm <sup>2</sup> )	Insulation O.D. (mm)	
<b>SSQN-A03GJ-P-L</b>	0.5	1.4 to 1.7	5,000
<b>SSQN-A03GJ-P-R</b>	0.5	1.4 to 1.7	5,000
<b>SSQN-A02GJ-P-L</b>	0.35	1.25 to 1.4	5,000
<b>SSQN-A02GJ-P-R</b>	0.35	1.25 to 1.4	5,000

### Material and Finish

Copper alloy, nickel-undercoated,  
Contact area : gold-plated (0.8 μm min.)  
Barrel area : tin-plated

## Female housing



Circuits	Model No.	Keying figure	Q'ty/box	Color
2	<b>SQNR-02H-1A-K</b>	I code	500	Black
	<b>SQNR-02H-1B-LM</b>	II code	500	Light green
	<b>SQNR-02H-1C-Y</b>	III code	500	Yellow

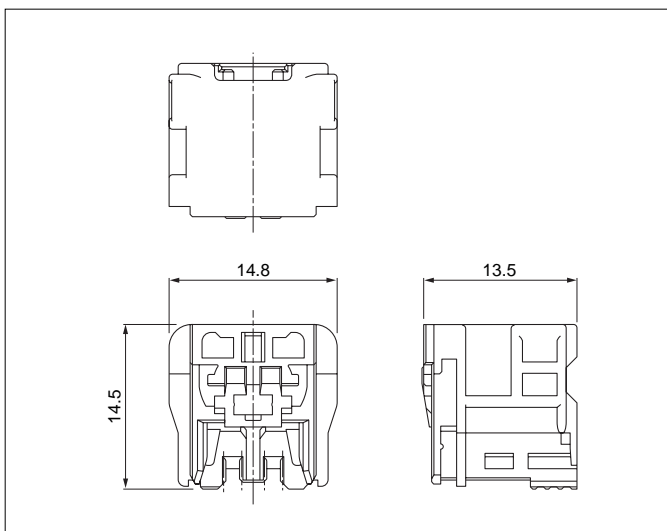
### Material and Finish

Glass-filled PBT

Note: Contact JST for details.

# SQN CONNECTOR

## Cover housing



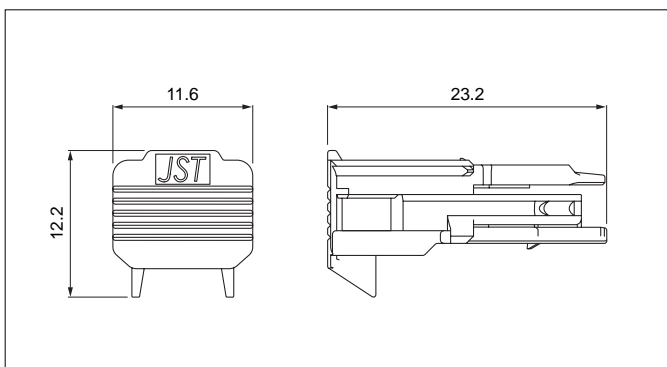
Circuits	Model No.	Wire section applicable	Q'ty/box	Color
2	<b>SQNL-02H-1A-Y</b>	0.5 mm <sup>2</sup>	500	Yellow
	<b>SQNL-02H-1D-N</b>	0.35 mm <sup>2</sup>	500	Brown

### Material and Finish

Glass-filled PBT

Note: Contact JST for details.

## CPA housing



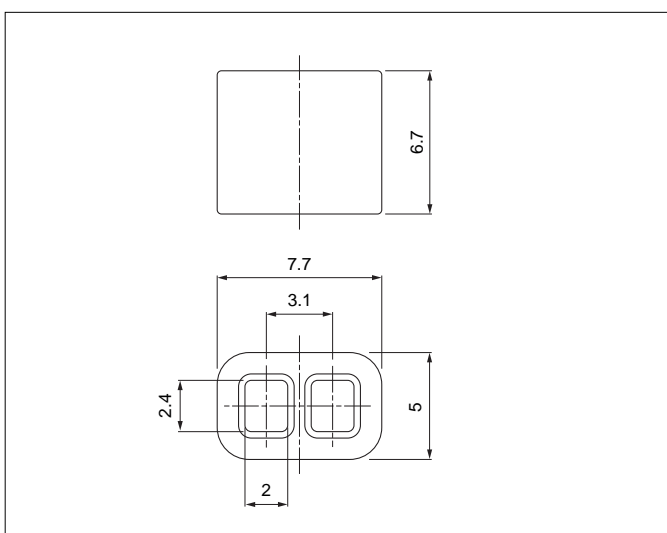
Circuits	Model No.	Q'ty/bag	Color
2	<b>SQNC-02H-1A-D</b>	500	Orange

### Material and Finish

Glass-filled PBT

Note: Contact JST for details.

## Ferrite



Circuits	Model No.	Q'ty/box
2	<b>SQFF-02-1A</b>	1,000

Note: Contact JST for details.

## Crimping machine, Applicator

Strip terminal	Crimping machine	Crimp applicator MKS-L	
		Dies	Crimp applicator with dies
<b>SSQN-A03GJ-P-L</b>	AP-K7	CMK-DP	CDS
<b>SSQN-A03GJ-P-R</b>		SSQNA03-P-L/R-0.50	SSQNA03-P-L/R-0.50/CMJS-L
<b>SSQN-A02GJ-P-L</b>		CMK-DP	CDS
<b>SSQN-A02GJ-P-R</b>		SSQNA03-P-L/R-0.50	SSQNA02-P-L/R-0.35/CMJS-L

Note: When crimping operation is conducted using an applicator and die set other than the above, JST cannot guarantee the performance of the terminal.