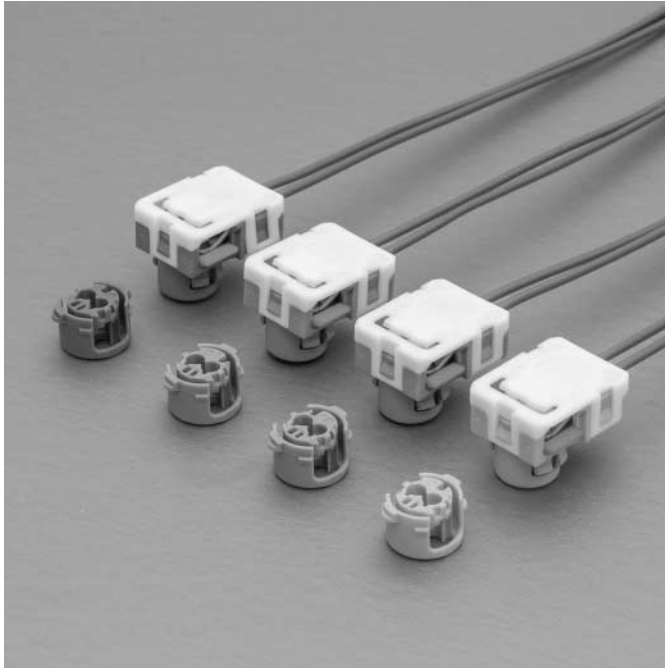
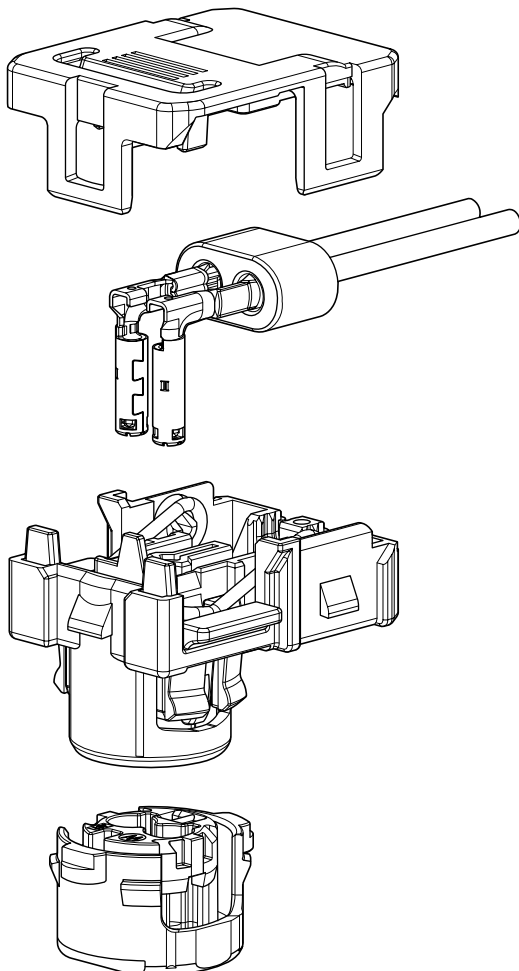


SQB CONNECTOR

Squib connectors



Shunt-less Squib Connector.
Connector for air-bag with Go/No-Go system, which allows locking connector and detect incomplete mating.



Features

● Shunt-Less Squib Connector

Mate with retainer without shorting bar.

● Go / No-Go Mating System

Self-rejection system to prevent incomplete mating.

Operation efficiency is improved by audible and tactile feeling of CPA clicking.

● Stability of Electrical Connection

Terminal has three contact points.

Prevent the deformation of contact area by covering ferrule to contact spring.

● Noise Suppression

Ferrite core provides simple and reliable noise suppression characteristics.

Specifications

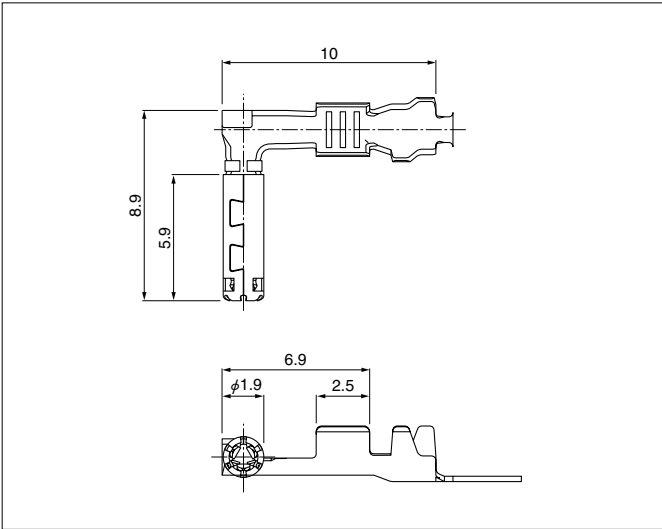
- Current rating: 3 A AC, DC max.
- Temperature range: -40°C to +85°C
(including temperature rise in applying electrical current)
- Insulation resistance: 100 MΩ min.
- Applicable wire: AVSS
0.3 mm², 0.5 mm²
FLRY-A
0.35 mm², 0.5 mm²

* Compliant with ELV/RoHS.

* Contact JST for details.

SQB CONNECTOR

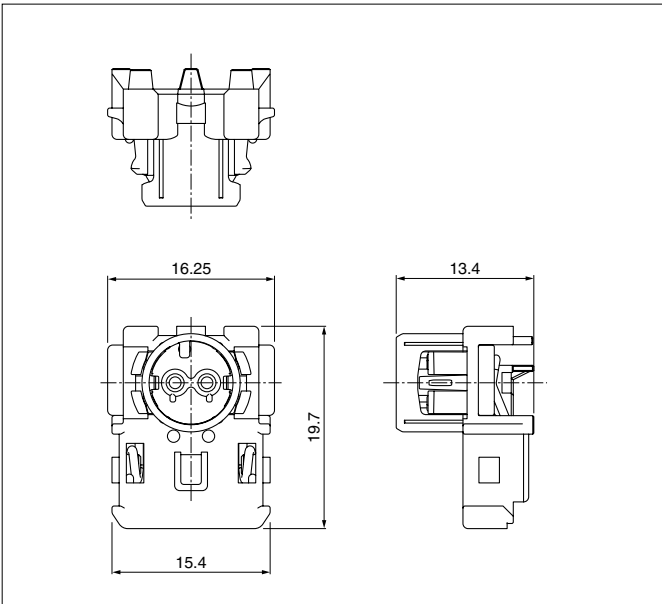
Female terminal



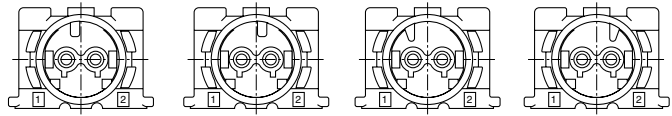
| Model No. | Applicable wire range | | Q'ty/reel |
|------------------------|------------------------------|----------------------|-----------|
| | Conductor (mm ²) | Insulation O.D. (mm) | |
| SSQSK-A03GJ-P-R | 0.3 to 0.5 | 1.0 to 1.6 | 5,000 |
| SSQSK-A03GJ-P-L | 0.3 to 0.5 | 1.0 to 1.6 | 5,000 |

| Material and Finish |
|--|
| Copper alloy, nickel-undercoated, Contact area; gold-plated (0.8μm min.) Barrel area; tin-plated |

Female housing assembly



Keying figure



W code

X code

Y code

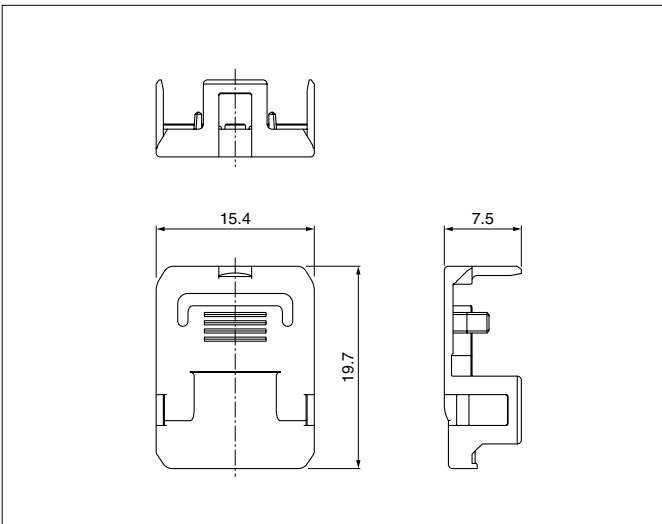
Z code

| Circuits | Model No. | Keying figure | Q'ty/box | Color |
|----------|-----------------------|---------------|----------|--------|
| 2 | SQBRB-02-1A-PK | W code | Note) | Pink |
| | SQBRB-02-1B-DV | X code | | Purple |
| | SQBRB-02-1C-H | Y code | | Gray |
| | SQBRB-02-1D-M | Z code | | Green |

| Material |
|--|
| Female housing; Glass-filled PBT CPA; Glass-filled PBT, Orange Spring; SUS |

Note: Contact JST for details.

Cover housing

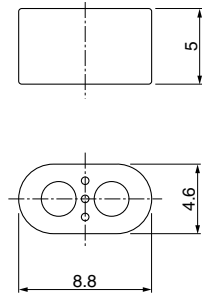


| Circuits | Model No. | Q'ty/box | Color |
|----------|----------------------|----------|--------|
| 2 | SQBL-02H-1A-Y | Note) | Yellow |

| Material |
|------------------|
| Glass-filled PBT |

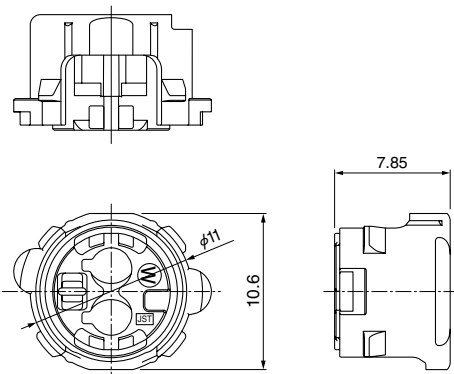
Note: Contact JST for details.

Ferrite

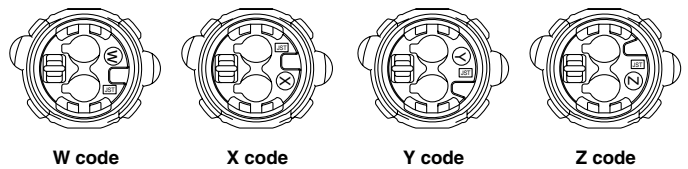


| Circuits | Model No. | Q'ty/box |
|----------|-------------------|----------|
| 2 | SQZF-02-1A | 1,500 |

Retainer



● Keying figure



| Circuits | Model No. | Keying figure | Q'ty/box | Color |
|----------|-----------------------|---------------|----------|--------|
| 2 | SQBP-02H-1A-PK | W code | 15,000 | Pink |
| | SQBP-02H-1B-DV | X code | | Purple |
| | SQBP-02H-1C-H | Y code | | Gray |
| | SQBP-02H-1D-M | Z code | | Green |

Material

Glass-filled PA 66

Crimping machine, Applicator

| Strip terminal | Crimping machine | Crimp applicator MKS-L | |
|------------------------|------------------|------------------------|----------------------------|
| | | Dies | Crimp applicator with dies |
| SSQSK-A03GJ-P-R | AP-K2N | MK/SSQSK-A03-P | APLMK SSQSK-A03-P |
| SSQSK-A03GJ-P-L | | | |

Note: When crimping operation is conducted using an applicator and die set other than the above, JST cannot guarantee the performance of the terminal.