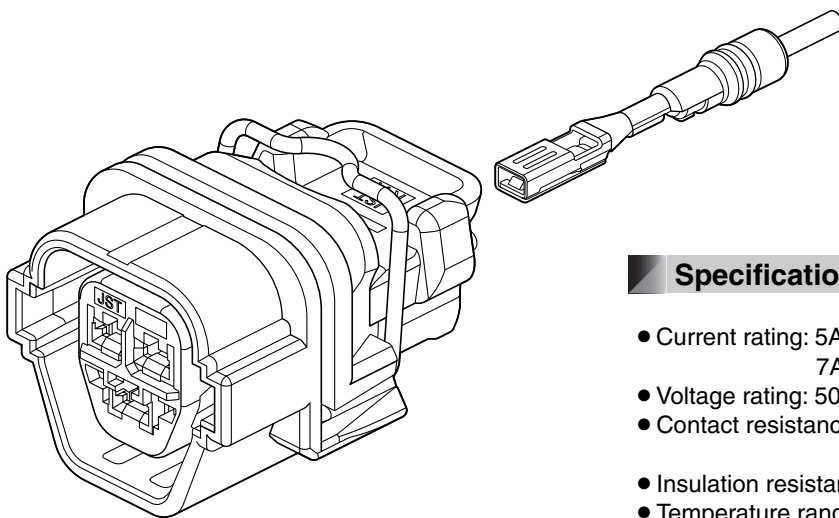




Features

- **2.3(090) Terminal Sealed Connector**
- **Anti Vibration Mechanism**
Special vibration durability structure with spring lock enables to keep higher durability at shock and vibrated environment. This connector can be used as an engine direct attachment connector.
- **Retainer (Secondary Lock)**
Prevent the insufficient insertion of the terminal.
- **Compact Design**
2X1 terminal sequence is realized miniaturization.

2.3(090) terminal sealed connector with high vibration durability.
Reduce abrasion by the vibration, and high reliability is provided.

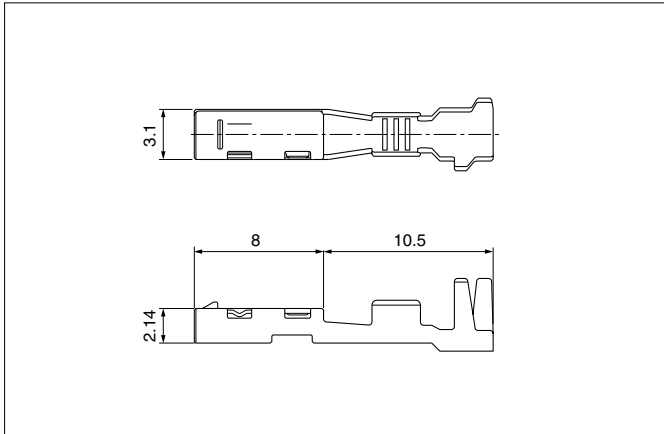


Specifications

- Current rating: 5A AC, DC (0.5mm²)
7A AC, DC (0.75mm²)
- Voltage rating: 50V AC, DC
- Contact resistance: Initial value/3mΩ max.
After environmental testing/10mΩ max.
- Insulation resistance: 100MΩ min.
- Temperature range: -40°C to +100°C
(including temperature rise in applying electrical current)
- Applicable wire: AVSSH 0.3f to 0.75f
(Contact JST for other applicable wires)

- * Compliant with ELV/RoHS.
- * Contact JST for details.

Female terminal



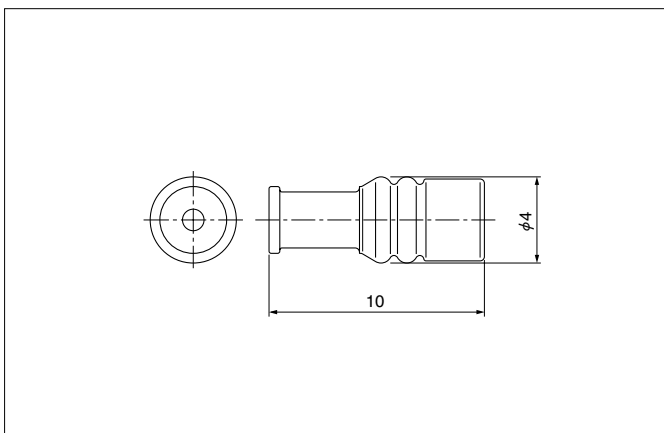
Size	Model No.	Applicable wire range		Q'ty/reel
		Conductor (mm ²)	Insulation O.D. (mm)	
S	SNORS-A021T-M2.3	0.3 to 0.5	1.4 to 1.7	4,500
M	SNORS-A041T-M2.3	0.75 to 1.25	1.8 to 2.2	4,500

Material and Finish

Copper alloy, tin-plated (reflow treatment)

Note: This product displays (LF)(SN) on a label.

Wire seal

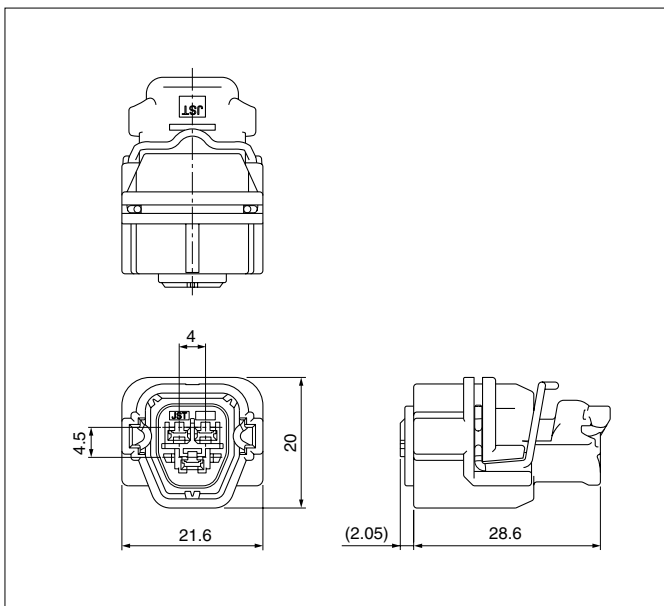


Size	Model No.	Applicable wire range		Q'ty/box
		Conductor (mm ²)	Insulation O.D. (mm)	
S	NORWS-NS	0.3 to 0.75	1.4 to 1.9	2,000

Material

Silicone, brown

Female connector



Circuits	Model No.	Q'ty/box
3	03NFG-B-1A	960

Material

Housing: Glass-filled PBT, black
 Retainer: Glass-filled PBT, natural (white)
 Seal ring: Silicone, brown
 Spring lock: SUS, silver

Crimping machine, Applicator

Strip terminal	Crimping machine	Crimp applicator MKS-L	
		Dies	Crimp applicator with dies
SNOR-A021T-M2.3	AP-K2N	MK/SNORS-A021-23	APLMK SNORS-A021-23
SNOR-A041T-M2.3		MK/SNORS-A041-23	APLMK SNORS-A041-23

Note: When crimping operation is conducted using an applicator and die set other than the above, JST cannot guarantee the performance of the terminal.