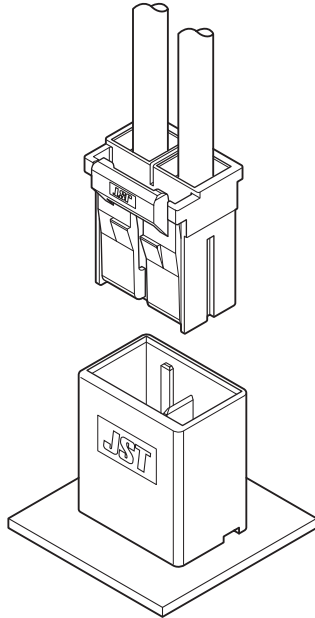


JFPS CONNECTOR

8.8mm pitch/Disconnectable Crimp style connectors



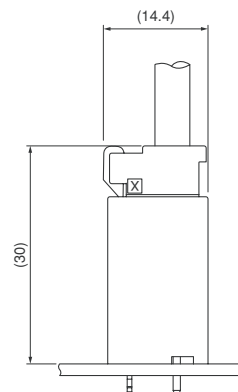
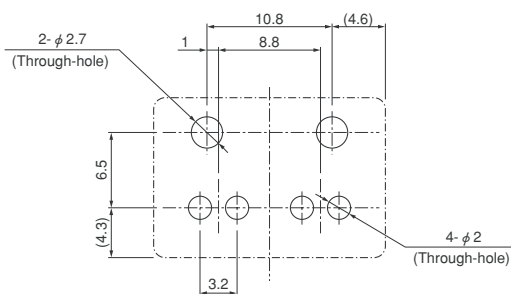
Small type connector for large current. This connector corresponds the rated current of 35A at 2 circuits and is a top entry type board-to-wire connector.

- Compact and space saving design
- Mis-mating prevention key
- Secure locking structure

Specifications

- Current rating: 35 A AC, DC (2 circuits: AWG #10)
- Voltage rating: 600 V AC, DC
- Temperature range: -40°C to +105°C
(including temperature rise in applying electrical current)
- Contact resistance: Initial value/ 2 mΩ max.
After environmental testing/ 2 mΩ max.
- Insulation resistance: 1,000 MΩ min.
- Withstanding voltage: 2,200 VAC/ minute
- Applicable wire: Conductor size/ AWG #12 to #10

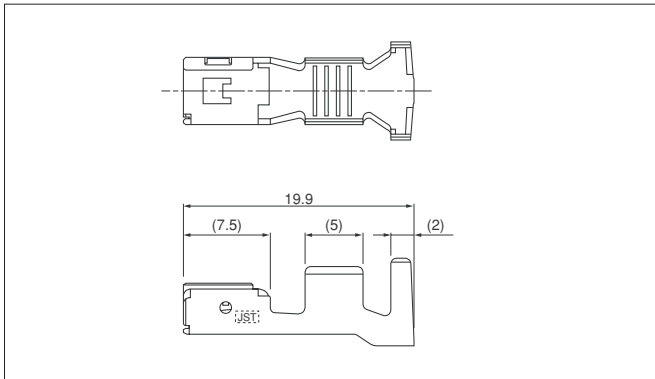
- * Refer to "General Instruction and Notice when using Terminals and Connectors" at the end of this catalog.
- * Contact JST for details.
- * Compliant with RoHS.



Note: 1. The above figure is the figure viewed from the connector mounting side.
2. Hole dimensions differ according to the type of PC board and piercing method.
The dimensions above should serve as a guideline. Contact JST for details.

JFPS CONNECTOR

Contact



Model No.	Applicable wire			Q'ty / reel
	mm ²	AWG#	Insulation O.D. (mm)	
SJFPS-81T-M1.0	3.5~5.5	12~10	4.0~5.3	1,500

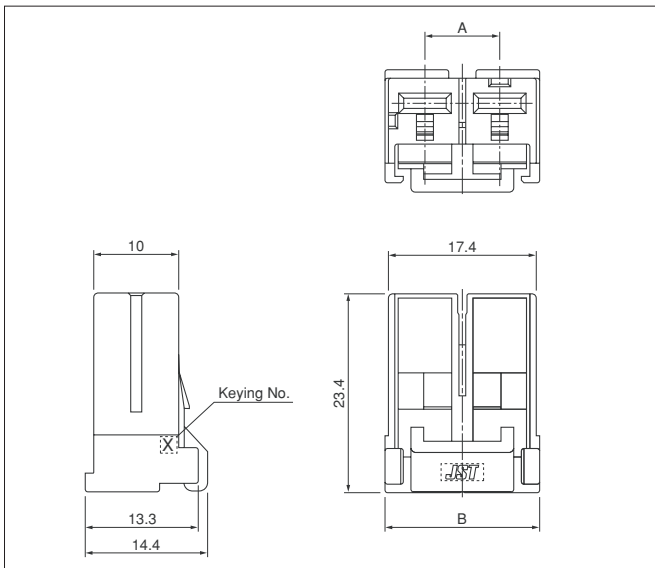
Material and Finish

Copper alloy, tin-plated (reflow treatment)

RoHS compliance

Contact	Crimping machine	Applicator		
		Crimp applicator	Dies	Crimp applicator with dies
SJFPS-81T-M1.0	AP-K2N	MKS-L-SIN3	MK/SJFPS-81-10	APLMK SJFPS81-10

Housing



Circuits	Keying	Model No.	Dimensions (mm)		Q'ty / bag
			A	B	
2	X	JFPSRS-02V-EX	8.8	17.4	200
	Y	JFPSRS-02V-KY	8.8	17.4	200

Material

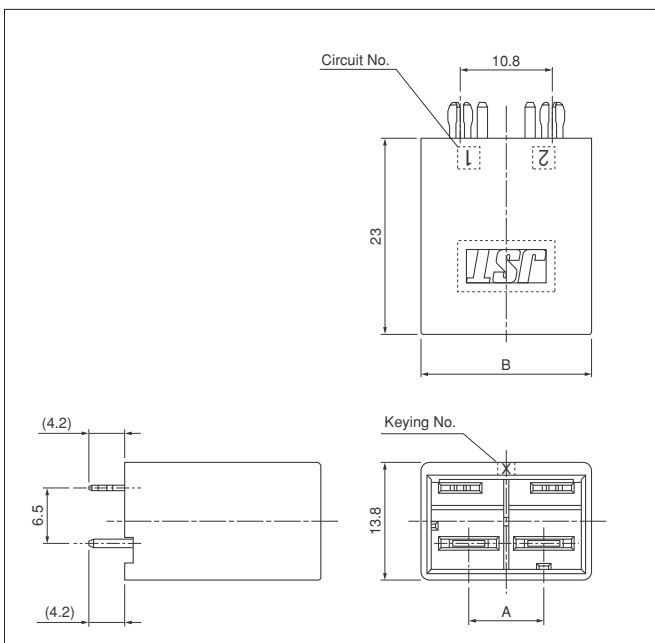
Glass-filled PBT, UL94V-0

RoHS compliance

<For reference> As the color identification, the following alphabet shall be put in the underlined part.
For availability, delivery and minimum order quantity, contact JST.

ex. **JFPSRS-02V-EX**
E...blue K...black

Shrouded header



Circuits	Keying	Model No.	Dimensions (mm)		Q'ty / box
			A	B	
2	X	BC02B-JFPSE-TX	8.8	20	132
	Y	BC02B-JFPSK-TY	8.8	20	132

Material

Contact: Copper, copper-undercoated, tin-plated
Housing: Glass-filled PA 66, UL94V-0
Reinforcement: Copper alloy, copper-undercoated, tin-plated

RoHS compliance

<For reference> As the color identification, the following alphabet shall be put in the underlined part.
For availability, delivery and minimum order quantity, contact JST.

ex. **BC02B-JFPSE-TX**
E...blue K...black