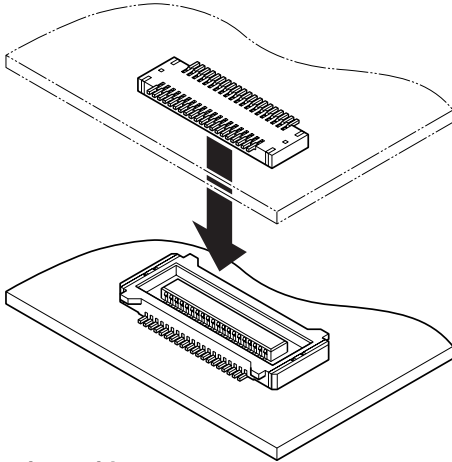


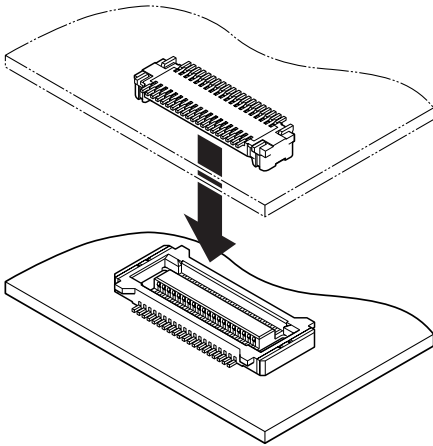


JAV CONNECTOR

0.4mm pitch/Board-to-board connectors



With mating guide



- Fine pitch and extremely low profile
- Contact lock construction
- Flat surface
- Concentration contact structure with wiping action
- Mating connector inside box shaped plug and receptacle
- Solder going-up prevention

JAV connector with mating guide

- Mating guide structure

Specifications

- Current rating: 0.3 A AC, DC
- Voltage rating: 30 V AC, DC
- Temperature range: -25°C to +85°C
(including temperature rise in applying electrical current)
- Contact resistance: Initial value/ 70 mΩ max.
After environmental tests/ 140 mΩ max.
- Insulation resistance: 50 MΩ min.
- Withstanding voltage: 100 VAC/minute
- * Refer to "General Instruction and Notice when using Terminals and Connectors" at the end of this catalog.
- * Contact JST for details.
- * Compliant with RoHS.

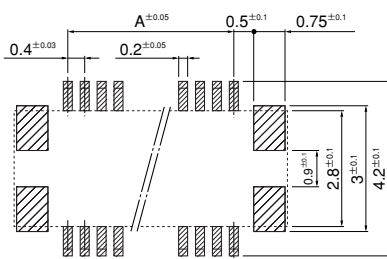
Standards

Recognized E60389

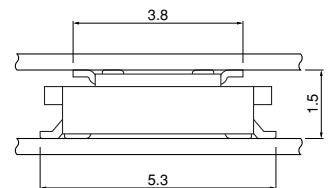
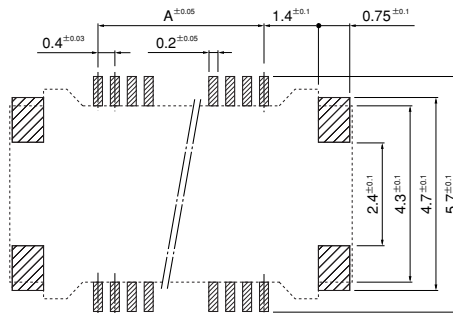
Certified LR20812

0.4mm pitch, SMT, low profile connector with parallel connection.

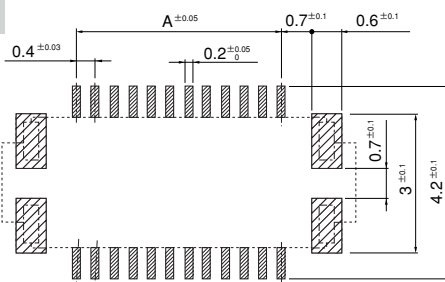
Plug



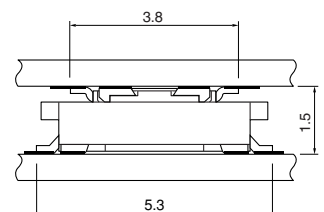
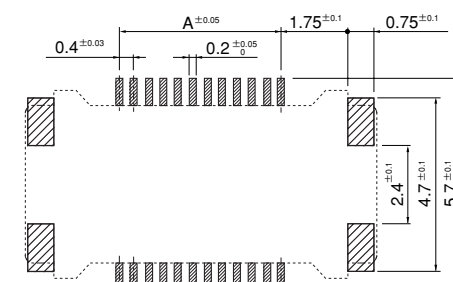
Receptacle



Plug/with mating guide



Receptacle/with mating guide

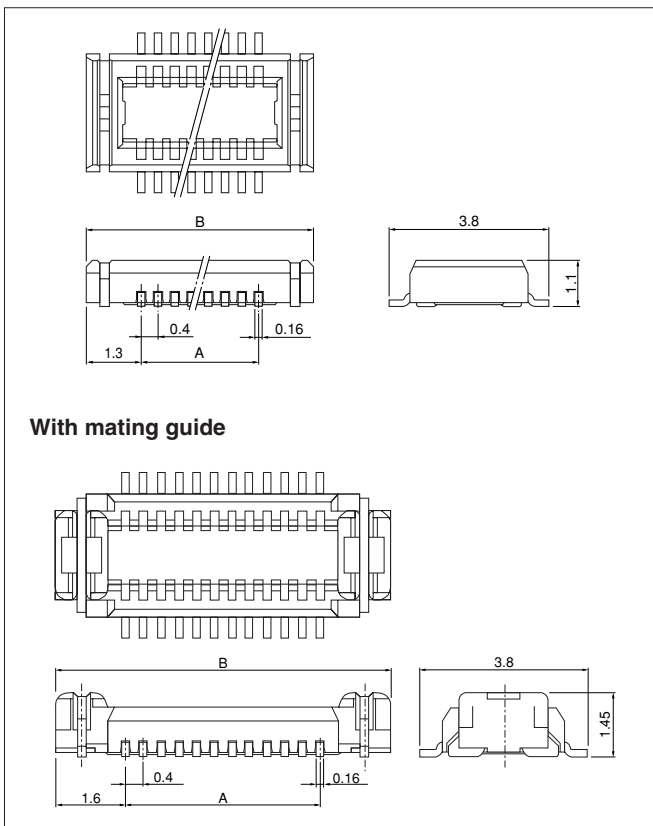


Note: 1. The above figure is the figure viewed from the connector mounting side.

2. Tolerances are non-cumulative: ±0.03mm for all centers. The dimensions above should serve as a guideline. Contact JST for details.

JAV CONNECTOR

Plug



| Circuits | Model No. | Dimensions (mm) | | Qty / reel |
|----------|--------------------------|-----------------|-----|------------|
| | | A | B | |
| 22 | 22PA-JAVK-GSAN-TF | 4.0 | 6.6 | 3,500 |

Material and Finish

Contact: Phosphor bronze, nickel-undercoated, gold-plated (nickel-stripe)
Housing: LCP, UL94V-0
Solder tab: Brass, copper-undercoated, tin-plated (reflow treatment)

RoHS compliance This product displays (LF)(SN) on a label.
Note: The product listed above is supplied on embossed-tape.

With mating guide

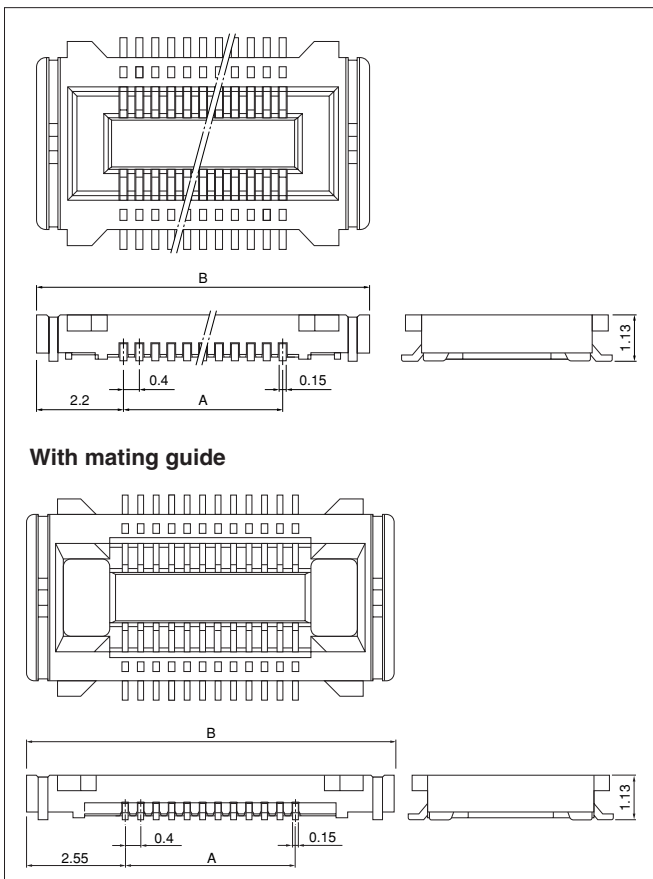
| Circuits | Model No. | Dimensions (mm) | | Qty / reel |
|----------|----------------------------|-----------------|-----|------------|
| | | A | B | |
| 24 | 24PA-JAVK-GSAN-1-TF | 4.4 | 7.6 | 3,000 |

Material and Finish

Contact: Phosphor bronze, nickel-undercoated, gold-plated (nickel-stripe)
Housing: LCP, UL94V-0
Solder tab: Brass, copper-undercoated, tin-plated (reflow treatment)

RoHS compliance This product displays (LF)(SN) on a label.
Note: The product listed above is supplied on embossed-tape.

Receptacle



| Circuits | Model No. | Dimensions (mm) | | Qty / reel |
|----------|-------------------------|-----------------|-----|------------|
| | | A | B | |
| 22 | 22R-JAVK-GSAN-TF | 4.0 | 8.4 | 3,500 |

Material and Finish

Contact: Phosphor bronze, nickel-undercoated, gold-plated (nickel-stripe)
Housing: LCP, UL94V-0
Solder tab: Brass, copper-undercoated, tin-plated (reflow treatment)

RoHS compliance This product displays (LF)(SN) on a label.
Note: The product listed above is supplied on embossed-tape.

With mating guide

| Circuits | Model No. | Dimensions (mm) | | Qty / reel |
|----------|---------------------------|-----------------|-----|------------|
| | | A | B | |
| 24 | 24R-JAVK-GSAN-1-TF | 4.4 | 9.5 | 3,500 |

Material and Finish

Contact: Phosphor bronze, nickel-undercoated, gold-plated (nickel-stripe)
Housing: LCP, UL94V-0
Solder tab: Brass, copper-undercoated, tin-plated (reflow treatment)

RoHS compliance This product displays (LF)(SN) on a label.
Note: The product listed above is supplied on embossed-tape.