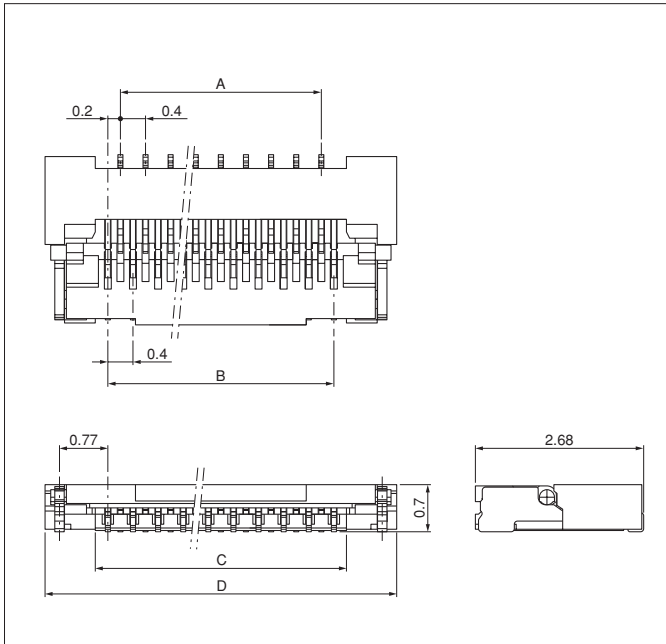




# FVXL CONNECTOR

## Housing



Circuits	Model No.	Dimensions (mm)					Q'ty / reel
		A	B	C	D	E	
45	45FVXL-RSM1-GAN-ETF(HF)	8.4	8.8	9.2	10.34	10.1	6,000
51	51FVXL-RSM1-GAN-ETF(HF)	9.6	10.0	10.4	11.54	11.3	6,000
71	71FVXL-RSM1-GAN-ETF(HF)	13.6	14.0	14.4	15.54	15.3	6,000

### Material and Finish

Contact: Copper alloy, nickel-undercoated, gold-plated  
 Socket housing: Heat resisting resin, black  
 Cover housing: Heat resisting resin, gray  
 Reinforcement: Copper alloy, tin-plated

**RoHS compliance** This product displays (HF) on a label.

Note: This products listed above are supplied on embossed-tape.

## Lead section dimensions of FPC

