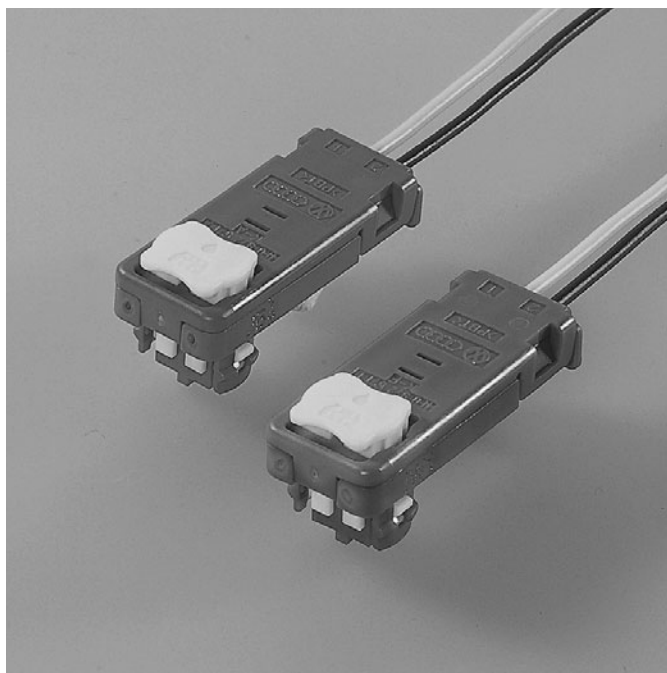
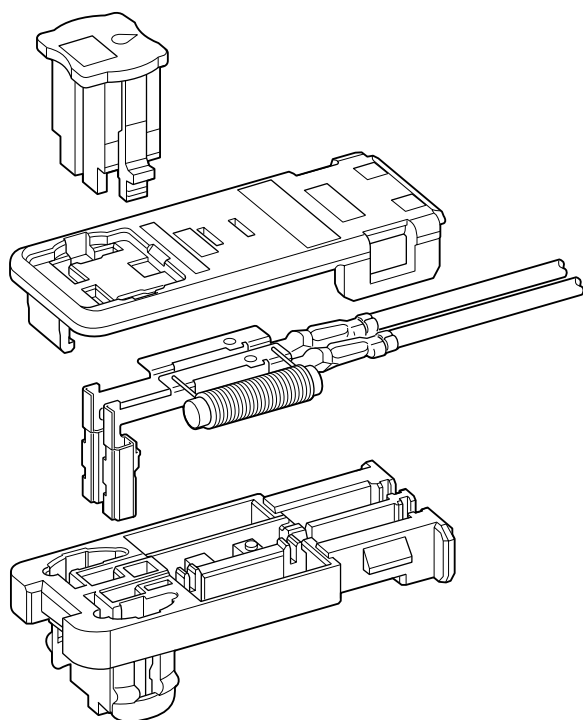


# SQW CONNECTOR

## Squib connectors



This connector for air-bag has intelligent CPA, which allows locking the connector, incomplete mating detection and release of short-circuit at the same time and achieves high resistance to noise at the specific frequency range with a built-in coil.



### Features

#### ●Mating

Intelligent CPA adopted. It enables the connector to be locked securely and prevents incomplete mating on the assembly line resulting in improved connector retention force.

#### ●Terminal construction

It is designed to prevent the deformation of the contact part when processing wire harness by protecting the contact part of each terminal with a box.

#### ●Scooping (kojiri) preventive construction

Using a shunt ring with a countermeasure for scooping (kojiri), the resistance to scooping (kojiri) insertion and withdrawal is improved.

#### ●Noise suppression

High resistance to noise at the specific frequency range is achieved with a built-in coil.

### Specifications

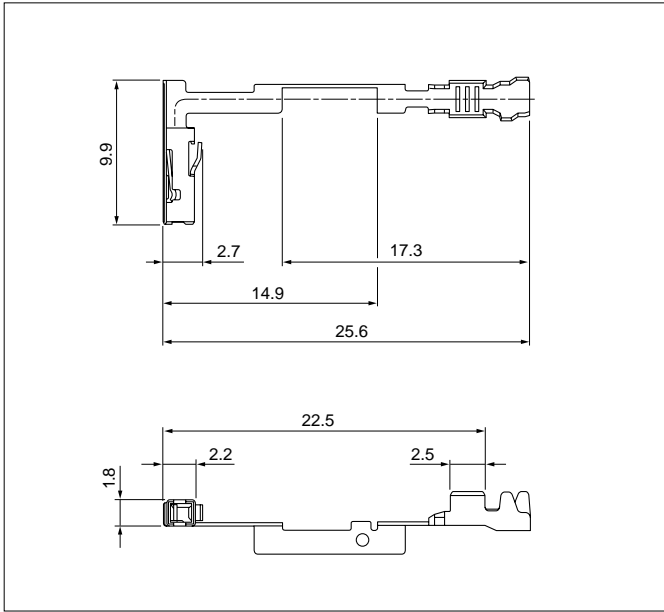
- Temperature range: -30°C to +80°C  
(including temperature rise in applying electrical current)
- Insulation resistance: 100MΩ min.
- Applicable wire: 0.5mm<sup>2</sup>

Note: In principle, only SQW connector as harness-processed product is supplied due to built-in coil.  
Contact JST for details of available wire harness specification.

- \* Compliant with ELV/RoHS.
- \* Contact JST for details.

# SQW CONNECTOR

## Female terminal

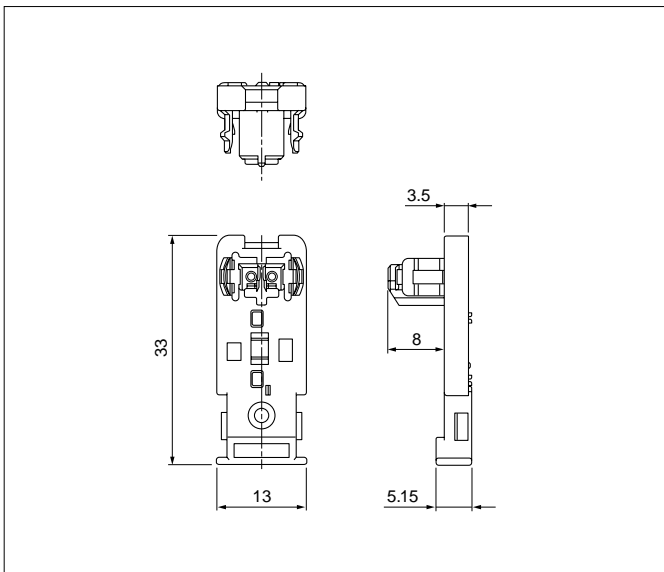


Model No.	Applicable wire range		Q'ty/reel
	Conductor (mm <sup>2</sup> )	Insulation O.D. (mm)	
<b>SSQW-A03GI-P-P</b>	0.5	1.6	—

### Material and Finish

Copper alloy, nickel-undercoated, Contact area; gold-plated

## Female housing

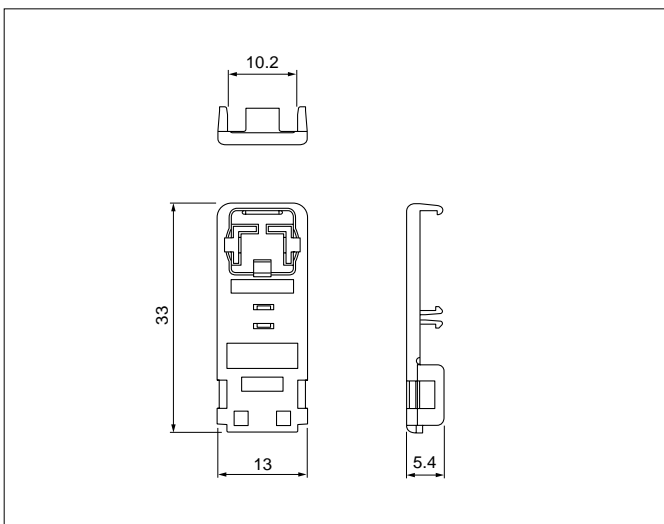


Circuits	Model No.	Q'ty/box	Color
2	<b>SQWR-02H-1A-LP</b>	—	Purple
	<b>SQWR-02H-1B-M</b>	—	Green
	<b>SQWR-02H-1C-D</b>	—	Orange

### Material

PBT

## Cover housing

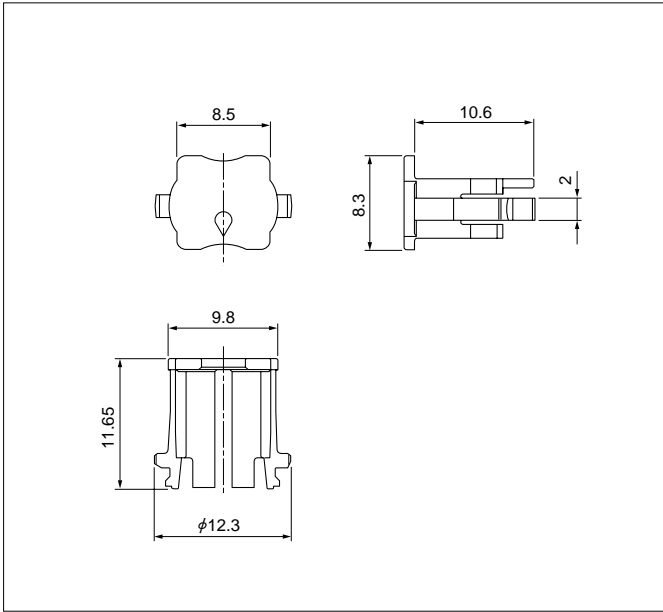


Circuits	Model No.	Q'ty/box	Color
2	<b>SQWL-02H-1-LP B</b>	—	Purple
	<b>SQWL-02H-1-M A</b>	—	Green
	<b>SQWL-02H-1-D</b>	—	Orange

### Material

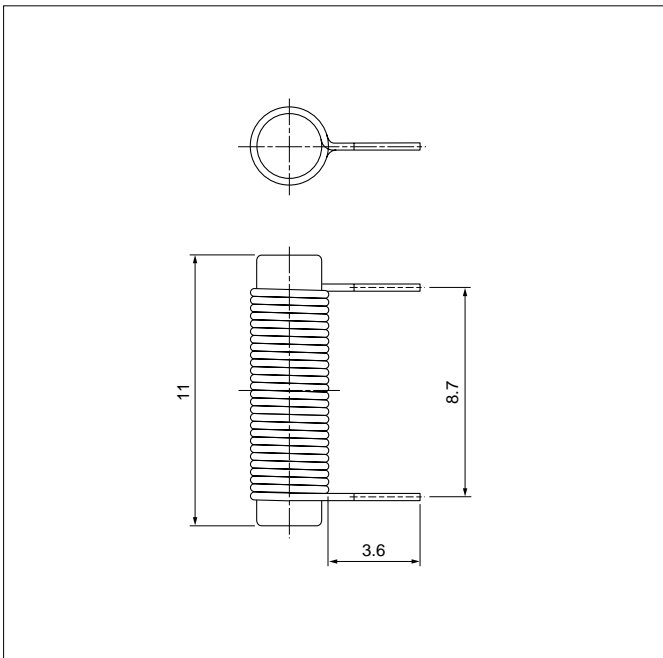
PBT

## CPA housing



Circuits	Model No.	Q'ty/bag	Color
2	<b>SQWC-02H-1A-Y</b>	—	Yellow
Material			
Glass-filled PBT			

## Coil



Model No.	Q'ty/box
<b>SQWW-02-1A</b>	—