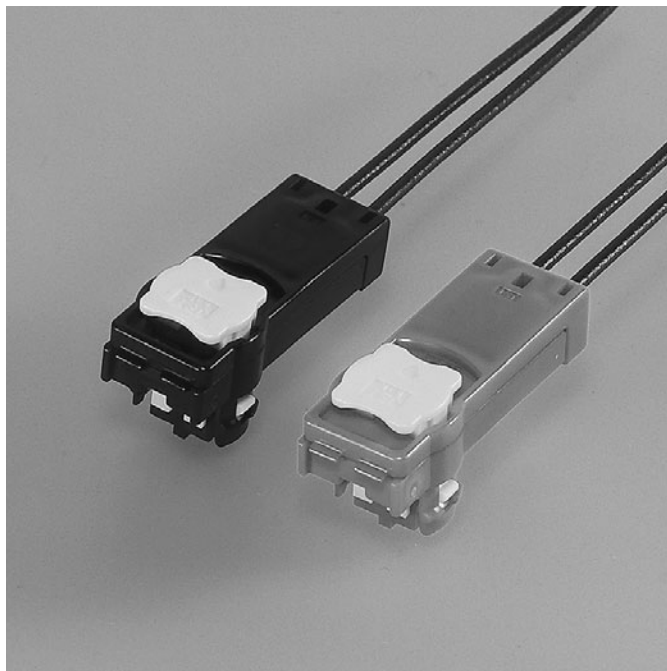


SQS CONNECTOR

Squib connectors



This connector for air-bag has intelligent CPA, which allows locking the connector, incomplete mating detection and release of short-circuit at the same time.

Features

●Mating

Intelligent CPA adopted. It enables the connector to be locked securely and prevents incomplete mating on the assembly line resulting in improved connector retention force.

●Terminal construction

It is designed to prevent the deformation of the contact part when processing wire harness by protecting the contact part of each terminal with a box.

●Scooping (kojiri) preventive construction

Using a shunt ring with a countermeasure for scooping (kojiri), the resistance to scooping (kojiri) insertion and withdrawal is improved.

●Noise suppression

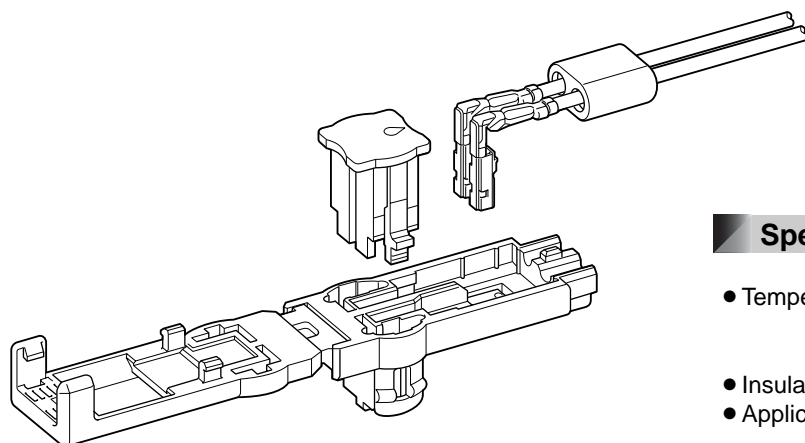
Ferrite core provides simple and reliable noise suppression characteristics.

●Two types of CPA housing

1A type: Normal type

2A type: CPA housing has the jig tool insertion part in a tail part in order to easily connector disassembly operation with a jig tool such as drivers.

- * They are selectable by usage and installed place of connector.
- * Contact JST for details.



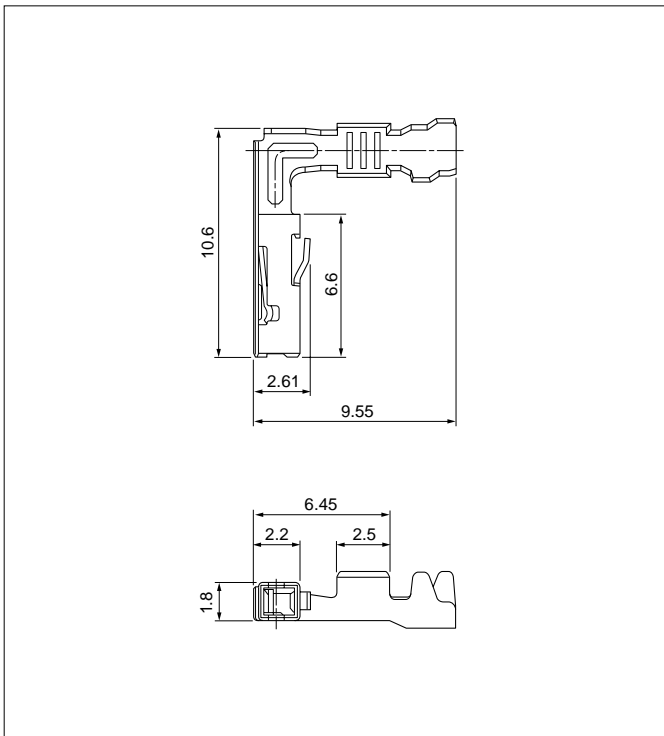
Specifications

- Temperature range: -30°C to $+80^{\circ}\text{C}$
(including temperature rise in applying electrical current)
- Insulation resistance: $100\text{M}\Omega$ min.
- Applicable wire: 0.3mm^2 to 0.5mm^2

- * Compliant with ELV/RoHS.
- * Contact JST for details.

SQS CONNECTOR

Female terminal



Model No.	Applicable wire range		Q'ty/reel
	Conductor (mm ²)	Insulation O.D. (mm)	
SQS-A03GF-P-P	0.3 to 0.5	1.0 to 1.6	6,500
SQS-A03GG-P-P	0.3 to 0.5	1.0 to 1.6	6,500
SQS-A03GI-P-P	0.3 to 0.5	1.0 to 1.6	6,500

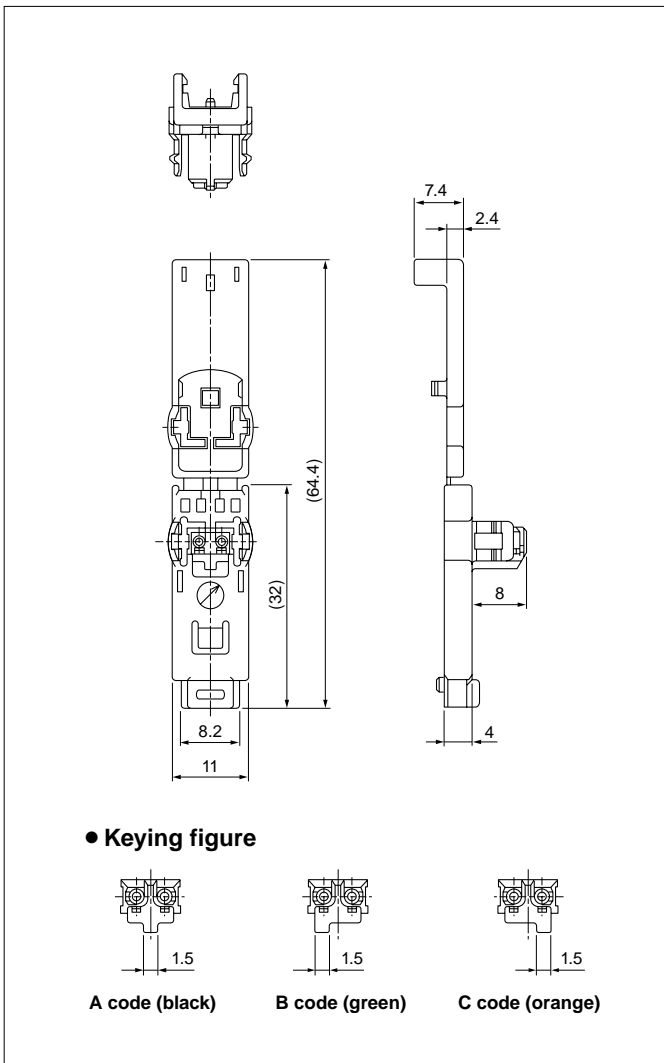
Material and Finish

GF: Copper alloy, nickel-undercoated,
Contact area; gold-plated (0.4μm min.)

GG: Copper alloy, nickel-undercoated,
Contact area; gold-plated (0.4μm min.)
Barrel area; tin-plated

GI: Copper alloy, nickel-undercoated,
Contact area; gold-plated (0.8μm min.)

Female housing



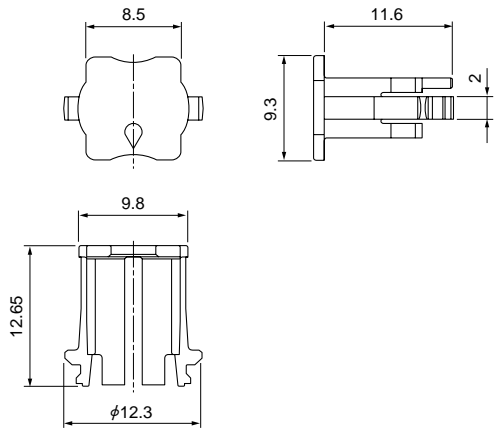
Circuits	Model No.	Keying figure	Q'ty/box	Color
2	SQSR-02H-1A-K	A code	1,000	Black
	SQSR-02H-1B-M	B code	1,000	Green
	SQSR-02H-1C-D	C code	1,000	Orange

Material

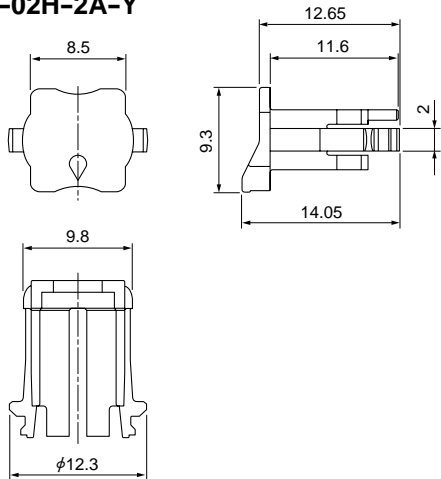
PBT

CPA housing

• SQSC-02H-1A-Y

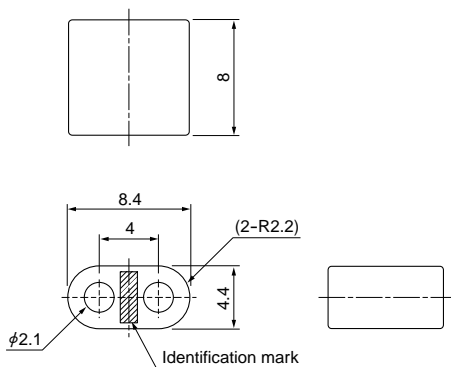


• SQSC-02H-2A-Y



Circuits	Model No.	Q'ty/box	Color
2	SQSC-02H-1A-Y	2,000	Yellow
	SQSC-02H-2A-Y	2,000	Yellow
Material			
Glass-filled PBT			

Ferrite



Circuits	Model No.	Q'ty/box
2	SQSF-02-1A	1,000

Crimping machine, Applicator

Strip terminal	Crimping machine	Crimp applicator MKS-L	
		Dies	Crimp applicator with dies
SQS-A03GF-P-P	AP-K2N	MK/SQS-A03-P	APLMK SQS-A03-P
SQS-A03GG-P-P			
SQS-A03GI-P-P			

Note: When crimping operation is conducted using an applicator and die set other than the above, JST cannot guarantee the performance of the terminal.