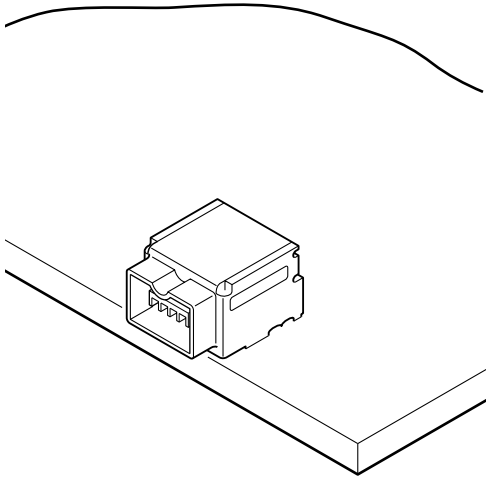


# RV CONNECTOR

High-speed serial interface connectors



Conforming to the IEEE 1394 standards (4P), the RV connector is a high-speed serial interface connector designed for use in PCs and consumer electronic equipment.

- A variety of receptacles are available
- Compact

## Specifications

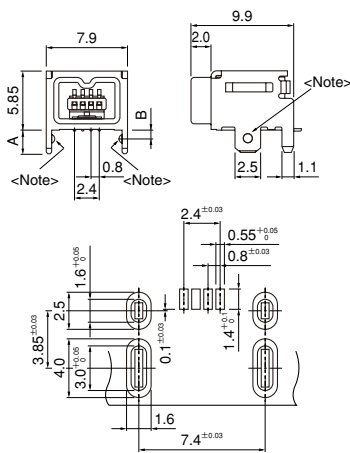
- Current rating: 0.3A AC, DC
- Voltage rating: 30V AC, DC
- Temperature range: -40°C to +85°C  
(including temperature rise in applying electrical current)
- Contact resistance: Initial value/50m Ω max.  
After environmental testing/30m Ω max.  
(variation from initial value)
- Insulation resistance: 100M Ω min.
- Withstanding voltage: 100V AC/minute
- Applicable PC board thickness: 0.8 to 1.6mm
- \* Compliant with RoHS.
- \* Refer to "General Instruction and Notice when using Terminals and Connectors" at the end of this catalog.
- \* Contact JST for details.

## Standards

- Ⓜ Recognized E60389
- Ⓢ Certified LR20812

## Receptacle

### Normal <SMT type>

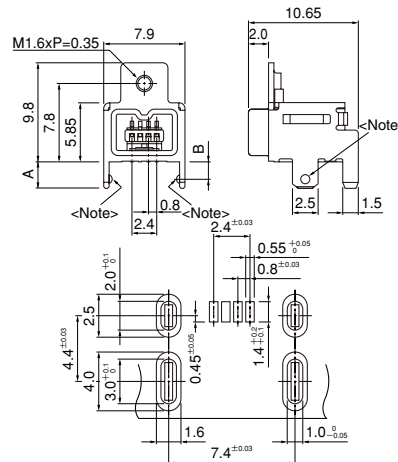


Model No.	Material and Finish
Supplied on embossed tape	Housing PPS, UL94V-0
RV-SS4G-N-BM-TB	Contact Copper alloy, overall nickel-undercoated, Mating part: gold-plated Solder tail: tin-plated(reflow treatment)
Supplied in tray	Shell cover Copper alloy, copper-undercoated, nickel-plated
RV-SS4G-N-B( )	Shell Mild steel, nickel-undercoated, tin-plated

**RoHS compliance** This product displays (LF)(SN) on a label.  
Note: Embossed-taping products have no dimple.

Type	Applicable PC board thickness (mm)	Dimensions (mm)	
		A	B
Normal type	0.8	2.15	0.8
	1.6	2.45	1.6

### Normal <SMT type> with upper flange<M1.6>

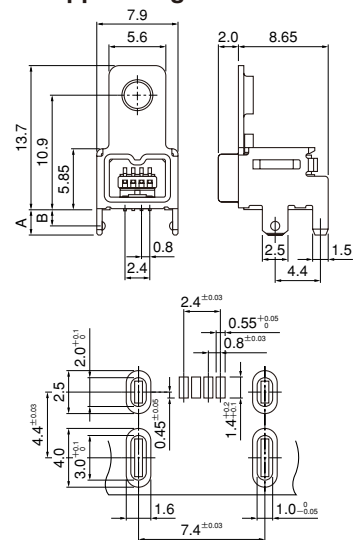


Model No.	Material and Finish
Supplied on embossed tape	Housing PPS, UL94V-0
RV-SS4G-F16N-C-TB	Contact Copper alloy, overall nickel-undercoated, Mating part: gold-plated Solder tail: tin-plated(reflow treatment)
Supplied in tray	Shell cover Copper alloy, copper-undercoated, nickel-plated
RV-SS4G-F16N-C( )	Shell Mild steel, copper-undercoated, nickel-undercoated, tin/nickel alloy-plated

**RoHS compliance** This product displays (LF)(SN) on a label.  
Note: Embossed-taping products have no dimple.

Note: 1. Receptacles are not UL/CSA approved.  
2. Model No. : ( ) denotes the applicable PC board thickness.  
08 ... For 0.8mm thick PC board  
16 ... For 1.6mm thick PC board

### Normal <SMT type> with upper flange<M3>

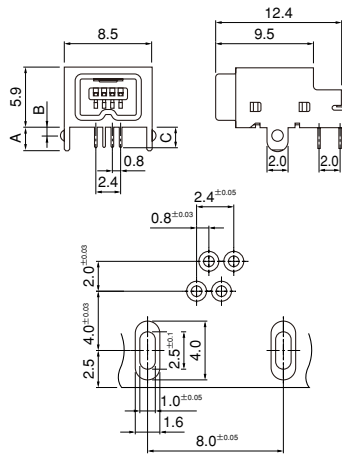


Model No.	Material and Finish
Supplied on embossed tape	Housing PPS, UL94V-0
RV-SS4G-F30N-E ( )	Contact Copper alloy, overall nickel-undercoated, Mating part: gold-plated Solder tail: tin-plated(reflow treatment)
Supplied in tray	Shell cover Copper alloy, copper-undercoated, nickel-plated
RV-SS4G-F30N-E ( )	Shell Mild steel, copper-undercoated, nickel-undercoated, tin/nickel alloy-plated

**RoHS compliance** This product displays (LF)(SN) on a label.

## Receptacle

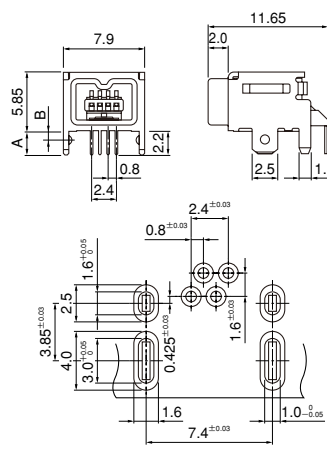
### Reverse <Through-hole type>



Model No.	Material and Finish
RV-SS4D-R-A ( )	Housing PBT, UL94V-0
	Contact Copper alloy, overall nickel-undercoated, Mating part: gold-plated Solder tail: tin-plated(reflow treatment)
	Shell cover Copper alloy, copper-undercoated, nickel-plated
	Shell Mild steel, nickel-undercoated, tin/copper alloy-plated

RoHS compliance This product displays (LF)(SN) on a label.

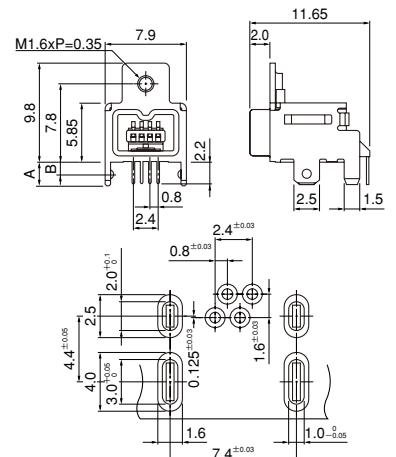
### Normal <Through-hole type>



Model No.	Material and Finish
RV-SS4D-N-B ( )	Housing PPS, UL94V-0
	Contact Copper alloy, overall nickel-undercoated, Mating part: gold-plated Solder tail: tin-plated(reflow treatment)
	Shell cover Copper alloy, copper-undercoated, nickel-plated
	Shell Mild steel, nickel-undercoated, tin/copper alloy-plated

RoHS compliance This product displays (LF)(SN) on a label.

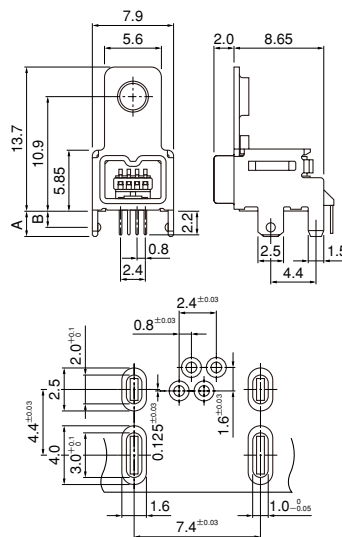
### Normal <Through-hole type> with upper flange<M1.6>



Model No.	Material and Finish
RV-SS4D-F16N-C ( )	Housing PPS, UL94V-0
	Contact Copper alloy, overall nickel-undercoated, Mating part: gold-plated Solder tail: tin-plated(reflow treatment)
	Shell cover Copper alloy, copper-undercoated, nickel-plated
	Shell Mild steel, nickel-undercoated, tin/copper alloy-plated

RoHS compliance This product displays (LF)(SN) on a label.

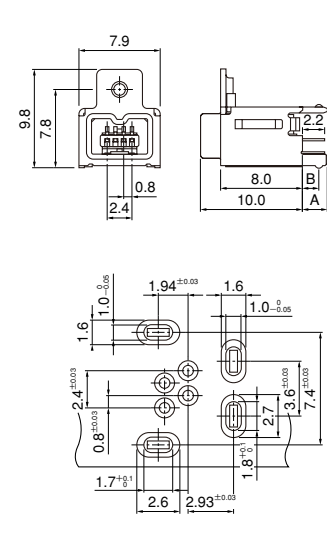
### Normal <Through-hole type> with upper flange<M3>



Model No.	Material and Finish
RV-SS4D-F30N-E ( )	Housing PPS, UL94V-0
	Contact Copper alloy, overall nickel-undercoated, Mating part: gold-plated Solder tail: tin-plated(reflow treatment)
	Shell cover Copper alloy, copper-undercoated, nickel-plated
	Shell Mild steel, nickel-undercoated, tin/copper alloy-plated

RoHS compliance This product displays (LF)(SN) on a label.

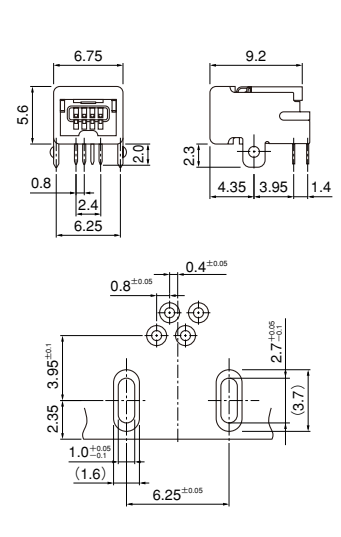
### Top entry <Through-hole type> with flange<M1.6>



Model No.	Material and Finish
RV-ST4D-F16N-D ( )	Housing PPS, UL94V-0
	Contact Copper alloy, overall nickel-undercoated, Mating part: gold-plated Solder tail: tin-plated(reflow treatment)
	Shell cover Copper alloy, copper-undercoated, nickel-plated
	Shell Mild steel, nickel-undercoated, tin/copper alloy-plated

RoHS compliance This product displays (LF)(SN) on a label.

### Reverse <Through-hole type> Small type



Model No.	Material and Finish
RV-SS4D-RS-H08-1	Housing PA9T
	Contact Copper alloy, overall nickel-undercoated, Mating part: gold-plated Solder tail: tin-plated
	Shell cover Copper alloy, nickel-undercoated, tin-plated
	Shell Copper alloy, tin-plated(reflow treatment)

RoHS compliance This product displays (LF) on a label.

Type	Applicable PC board thickness (mm)	Dimensions (mm)		
		A	B	C
Normal type	0.8	2.15	0.8	-
	1.6	2.45	1.6	-
Reverse type	0.8	2.3	0.8	2.0
	1.6	3.1	1.6	2.8

Note: 1. Receptacles are not UL/CSA approved.  
 2. Model No. : ( ) denotes the applicable PC board thickness.  
 08 ... For 0.8mm thick PC board  
 16 ... For 1.6mm thick PC board