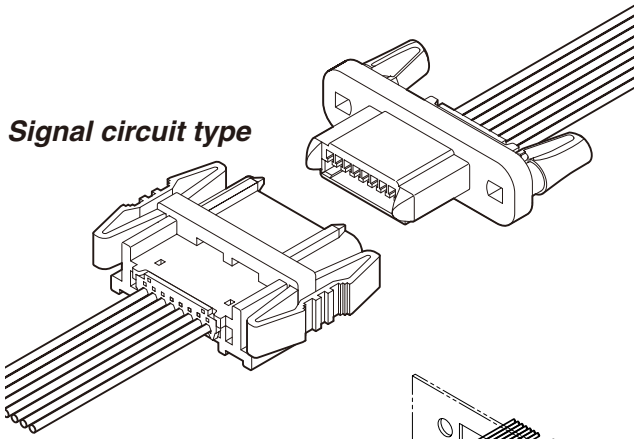


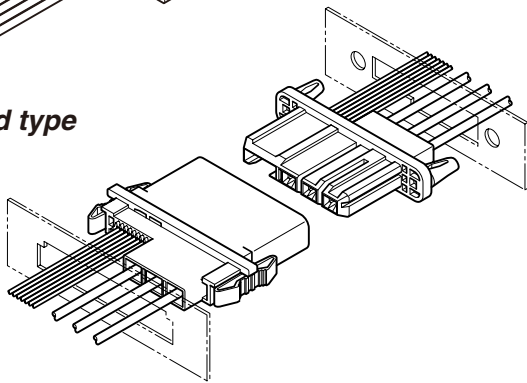
RIZ CONNECTOR

Disconnectable Crimp style Wire-to-wire connectors

Signal circuit type



Hybrid type



In unit connection, this RIZ connector is a hybrid type single row drawer connector with combined signal and power supply circuits, absorbs misalignment between units, and excels durability.

- Space saving
- Panel locking device
- High Durability
- Hybrid type

Specifications

- Current rating: Signal circuit 1.0A AC, DC (AWG #26)
Power supply circuit 15A AC, DC (AWG #14)
 - Voltage rating: Signal circuit 50V AC, DC
Power supply circuit 250V AC, DC
 - Temperature range: -25°C to +85°C
(including temperature rise in applying electrical current)
 - Contact resistance:

Signal circuit	Initial value/40m Ω max. After environmental testing/60m Ω max.
Power supply circuit	Initial value/10m Ω max. After environmental testing/20m Ω max.
 - Insulation resistance: 500M Ω min.
 - Withstanding voltage: Signal circuit 500V AC
Power supply circuit 1,500V AC
 - Applicable wire: Power supply circuit Conductor AWG #24 to #14
Insulation O.D. 1.4 to 3.6mm
Signal circuit Applicable receptacle CZ, CZH
- * Compliant with RoHS.
* Refer to "General Instruction and Notice when using Terminals and Connectors" at the end of this catalog.
* Contact JST for details.

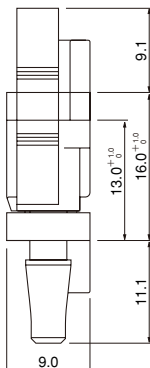
Standards

Recognized E60389

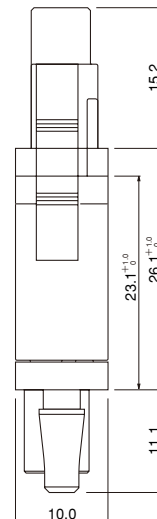
Certified LR20812

Assembly layout

Signal circuit type



Hybrid type



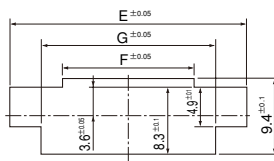
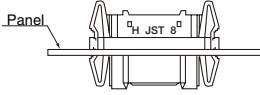
Panel layout

Plug

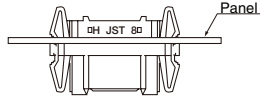
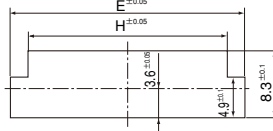
Signal circuit type

Panel thickness: 1.2mm, 1.6mm, 2.0mm

When mounting from mating side



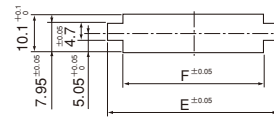
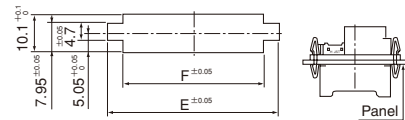
When mounting from socket side



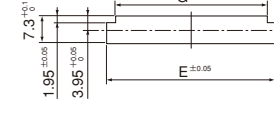
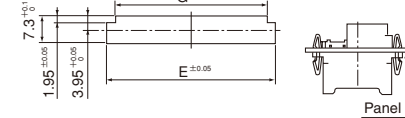
Hybrid type

Panel thickness: 1.2mm, 1.6mm, 2.0mm

When mounting from mating side



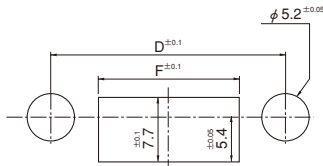
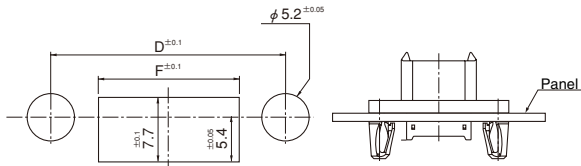
When mounting from socket side



Receptacle

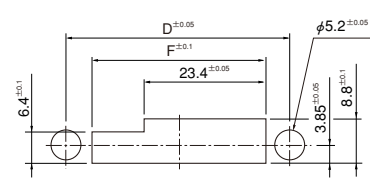
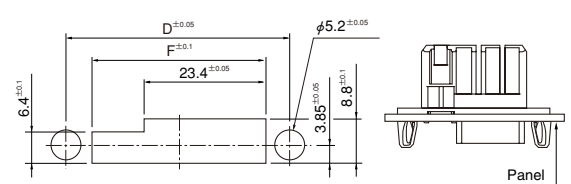
Signal circuit type

Panel thickness: 2.0mm



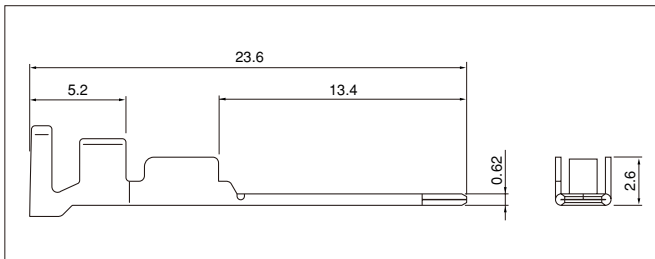
Hybrid type

Panel thickness: 2.0mm



- Note: 1. Punch holes in the panel according to the figures shown above. Burrs must be removed.
2. The strength of the panel must be considered when punching two or more holes.
3. The connector must be inserted from the same side as the hole is punched.

Plug contact for power supply circuit



Model No.	Applicable wire		Insulation O.D. (mm)	Q'ty / reel
	mm ²	AWG #		
SRWM-01GG-S0.6	0.2 ~0.5	24~20	1.4 ~1.9	4,000
SRWM-21GG-S0.6	0.3 ~0.75	22~18	1.55~3.1	-
SRWM-61GG-S0.6	0.75~2.0	18~14	2.0 ~3.6	3,000

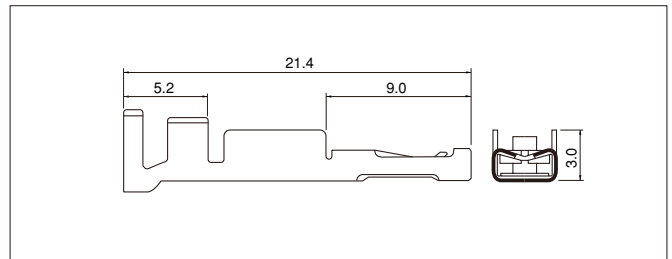
Material and Finish

Copper alloy, nickel-undercoated, Mating part; gold-plated
Crimping part; tin-plated (reflow treatment)

RoHS compliance This product displays (LF)(SN) on a label.

Contact	Crimping machine	Applicator		
		Crimp applicator	Dies	Crimp applicator with dies
SRWM-01GG-S0.6	AP-K2N	MKS-L	MK/SRPF/M-01-06	APLMK SRPF/M01-06
		-	-	-
SRWM-21GG-S0.6	AP-K2N	MKS-L	MK/SRPF/M-21-06	APLMK SRPF/M21-06
		-	-	-
SRWM-61GG-S0.6	AP-K2N	MKS-L	MK/SRPF/M-61-06	APLMK SRPF/M61-06
		-	-	-

Receptacle contact for power supply circuit



Model No.	Applicable wire		Insulation O.D. (mm)	Q'ty / reel
	mm ²	AWG #		
SRWF-01GG-M0.6	0.2 ~0.5	24~20	1.4 ~1.9	4,000
SRWF-21GG-M0.6	0.3 ~0.75	22~18	1.55~3.1	3,000
SRWF-61GG-M0.6	0.75~2.0	18~14	2.0 ~3.6	3,000

Material and Finish

Copper alloy, nickel-undercoated, Mating part; gold-plated
Crimping part; tin-plated (reflow treatment)

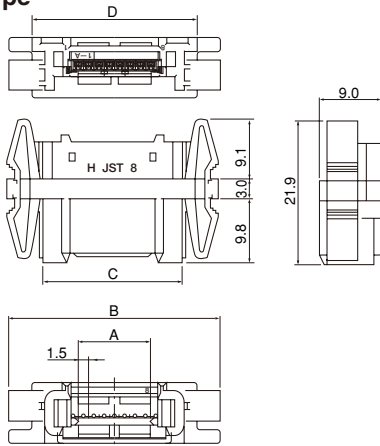
RoHS compliance This product displays (LF)(SN) on a label.

Contact	Crimping machine	Applicator		
		Crimp applicator	Dies	Crimp applicator with dies
SRWF-01GG-M0.6	AP-K2N	MKS-L	MK/SRPF/M-01-06	APLMK SRPF/M01-06
		-	-	-
SRWF-21GG-M0.6	AP-K2N	MKS-L	MK/SRPF/M-21-06	APLMK SRPF/M21-06
		-	-	-
SRWF-61GG-M0.6	AP-K2N	MKS-L	MK/SRPF/M-61-06	APLMK SRPF/M61-06
		-	-	-

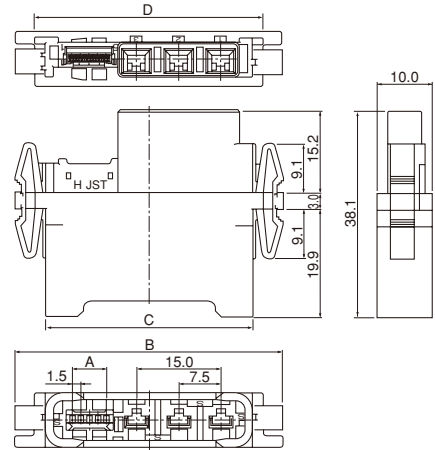
RIZ CONNECTOR

Plug

Signal circuit type



Hybrid type (Connector with integrated signal and power)



Circuits	Model No.	Dimensions (mm)								Q'ty / box	
		A	B	C	D	E		F	G		H
4	04P-RIZ-K2GG-RL	4.5	24.7	14.1	17.8	22.1	22.3	9.4	14.5	18.2	80
6	06P-RIZ-K2GG-RL	7.5	27.7	17.1	20.8	25.1	25.3	12.4	17.5	21.2	80
8	08P-RIZ-K2GG-RL	10.5	30.7	20.1	23.8	28.1	28.3	15.4	20.5	24.2	80
10	10P-RIZ-K2GG-RL	13.5	33.7	23.1	26.8	31.1	31.3	18.4	23.5	27.2	80
14	14P-RIZ-K2GG-RL	19.5	39.7	29.1	32.8	37.1	37.3	24.4	29.5	33.2	80

Material and Finish

Contact: Copper alloy, nickel-undercoated, selective gold-plated, tin-plated (reflow-treatment)
Housing: PBT, UL94V-0, black

RoHS compliance This product displays (LF)(SN) on a label.

Circuits	Model No.	Dimensions (mm)								Q'ty / box
		A	B	C	D	E		F	G	
7	07P-RIZ-K2GG-S3RL	9.0	50.3	39.7	43.4	47.7	47.9	39.9	43.6	60
8	08P-RIZ-K2GG-S3RL	10.5	51.8	41.2	44.9	49.2	49.4	41.4	45.1	80
13	13P-RIZ-K2GG-S3RL	18.0	59.3	48.7	52.4	56.7	56.9	48.9	52.6	45

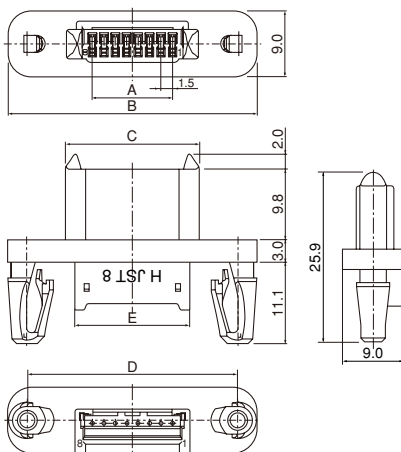
Material and Finish

Contact: Copper alloy, nickel-undercoated, selective gold-plated, tin-plated (reflow treatment)
Housing: PBT, UL94V-0, black

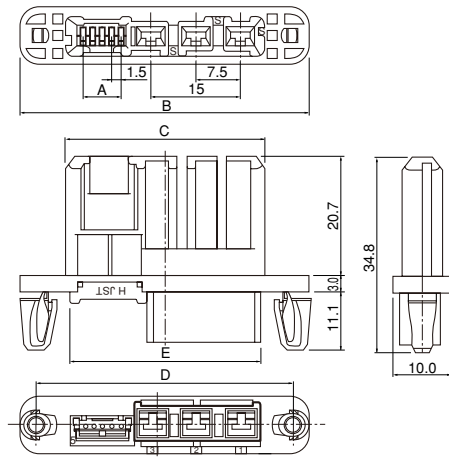
RoHS compliance This product displays (LF)(SN) on a label.

Receptacle

Signal circuit type



Hybrid type (Connector with integrated signal and power)



Circuits	Model No.	Dimensions (mm)						Q'ty / box
		A	B	C	D	E	F	
4	04R-RIZ-K4GG-FL	4.5	26.5	11.3	21.6	9.0	10.8	80
6	06R-RIZ-K4GG-FL	7.5	29.5	14.3	24.6	12.0	13.8	80
8	08R-RIZ-K4GG-FL	10.5	32.5	17.3	27.6	15.0	16.8	80
10	10R-RIZ-K4GG-FL	13.5	35.5	20.3	30.6	18.0	19.8	80
14	14R-RIZ-K4GG-FL	19.5	41.5	26.3	36.6	24.0	25.8	60

Material and Finish

Contact: Copper alloy, nickel-undercoated, selective gold-plated, tin-plated (reflow-treatment)
Housing: PBT, UL94V-0, black

RoHS compliance This product displays (LF)(SN) on a label.

Circuits	Model No.	Dimensions (mm)						Q'ty / box
		A	B	C	D	E	F	
7	07R-RIZ-K4GG-SQ3FL	9.0	52.6	36.5	47.7	35.1	36.9	75
8	08R-RIZ-K4GG-SQ3FL	10.5	54.1	38.0	49.2	36.6	38.4	75
13	13R-RIZ-K4GG-SQ3FL	18.0	61.6	45.5	56.7	44.1	45.9	60

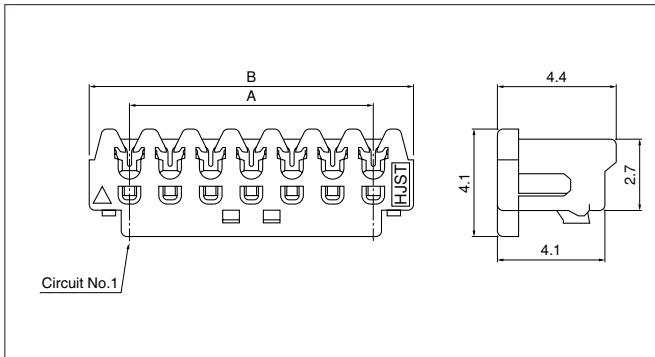
Material and Finish

Contact: Copper alloy, nickel-undercoated, selective gold-plated, tin-plated (reflow-treatment)
Housing: PBT, UL94V-0, black

RoHS compliance This product displays (LF)(SN) on a label.

RIZ CONNECTOR

CZ connector socket



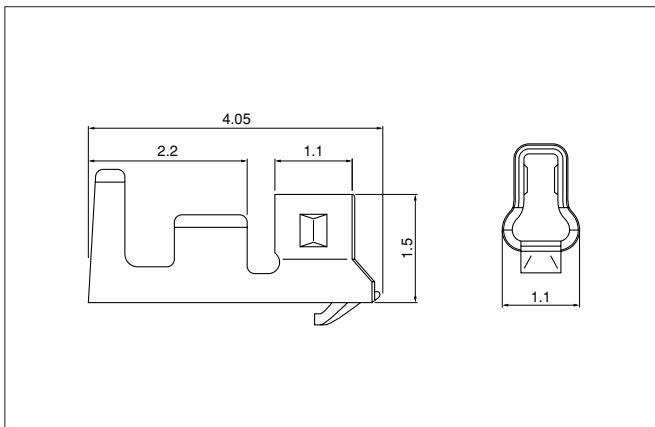
Circuits	Model No.		Dimensions (mm)		Q'ty / box
	Gray	Yellow	A	B	
4	04CZ-6H	04CZ-6Y	4.5	7.5	2,000
6	06CZ-6H	06CZ-6Y	7.5	10.5	2,000
7	07CZ-6H	07CZ-6Y	9.0	12.0	2,000
8	08CZ-6H	08CZ-6Y	10.5	13.5	2,000
10	10CZ-6H	10CZ-6Y	13.5	16.5	1,000
13	13CZ-6H	13CZ-6Y	18.0	21.0	1,000
14	14CZ-6H	14CZ-6Y	19.5	22.5	1,000

Material and Finish

Contact: Copper alloy, tin-plated (reflow treatment)
Housing: Glass-filled PA 66, UL94V-0

RoHS compliance

CZH connector contact



Model No.	Applicable wire		Insulation O.D. (mm)	Q'ty / reel
	mm ²	AWG #		
SCZH-002T-P0.5	0.08~0.13	28~26	0.8~1.1	13,000

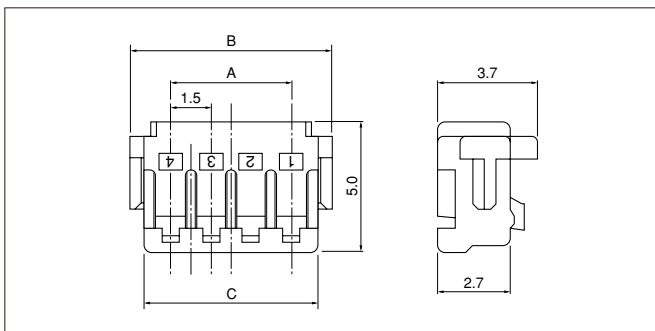
Material and Finish

Copper alloy, tin-plated (reflow treatment)

RoHS compliance

Contact	Crimping machine	Applicator		
		Crimp applicator	Dies	Crimp applicator with dies
SCZH-002T-P0.5	AP-K2N	MKS-L	MK/SCZH-002-05	APLMK SCZH002-05
		—	—	—

CZH connector housing



Circuits	Model No.	Dimensions (mm)			Q'ty / box
		A	B	C	
4	CZHR-04V-S	4.5	7.5	6.5	1,000
6	CZHR-06V-S	7.5	10.5	9.5	1,000
7	CZHR-07V-S	9.0	12.0	11.0	1,000
8	CZHR-08V-S	10.5	13.5	12.5	1,000
10	CZHR-10V-S	13.5	16.5	15.5	1,000
13	CZHR-13V-S	18.0	21.0	20.0	1,000
14	CZHR-14V-S	19.5	22.5	21.5	1,000

Material

PBT, UL94V-0, natural (white)

RoHS compliance