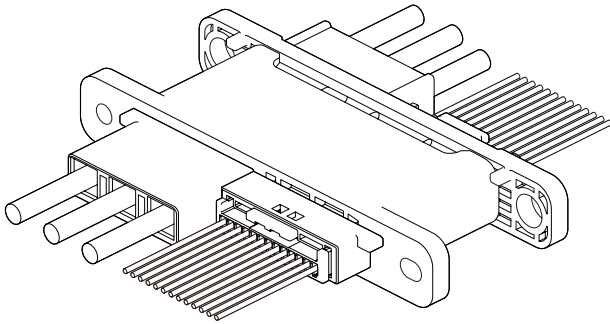


# RIZ CONNECTOR L-Type

Disconnectable Crimp style Wire-to-wire connectors



**This connector is a hybrid type single-row drawer connector combined signal and power supply circuits connector to connect the units, absorbs misalignment between units, and excels durability. RIZ connector with lever locking device is adopted as applicable socket to prevent incomplete mating.**

- Space saving
- High durability
- Hybrid type
- Signal circuit 1.5mm pitch lever-locking type

## Specifications

- Current rating: Signal circuit/1.0A AC, DC (AWG#26)  
Power supply circuit/15A AC, DC (AWG#14)
  - Voltage rating: Signal circuit/50V AC, DC  
Power supply circuit/250V AC, DC
  - Temperature range: -25°C to +85°C  
(including temperature rise in applying electrical current)
  - Contact resistance: Signal circuit Initial value/40mΩ max.  
After environmental testing/60mΩ max.  
Power supply circuit Initial value/10mΩ max.  
After environmental testing/20mΩ max.
  - Insulation resistance: 500MΩ min.
  - Withstanding voltage: Signal circuit 500V AC/minute  
Power supply circuit 1,500V AC/minute
  - Applicable wire: Signal circuit Applicable socket/RCZ connector  
Power supply circuit Conductor size/AWG#24 to #14  
Insulation O.D./1.4 to 3.6mm
- \* Compliant with RoHS.  
\* Refer to "General Instruction and Notice when using Terminals and Connectors" at the end of this catalog.  
\* Contact JST for details.

## Standards

- Ⓜ Recognized E 60389
- Ⓢ Certified LR 20812
- Ⓡ R50157902

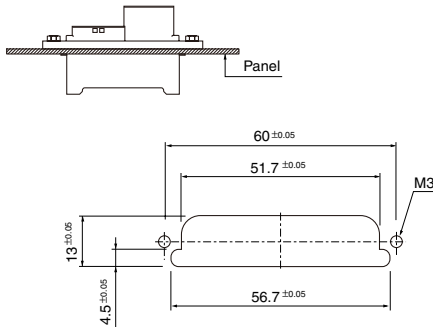
## Panel layout and Assembly layout

### Plug

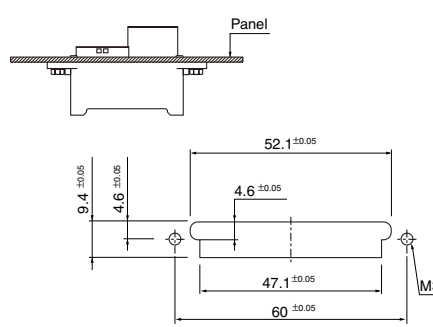
#### Hybrid type

Panel thickness: t0.8 to 2.0mm

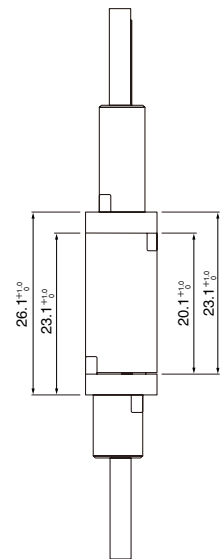
When mounting from mating side



When mounting from socket side



### Hybrid type

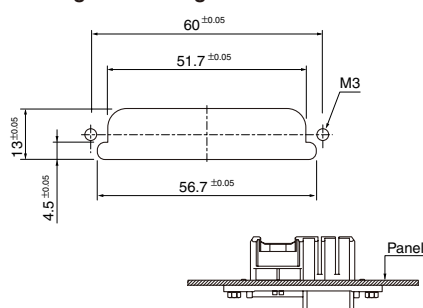


### Receptacle

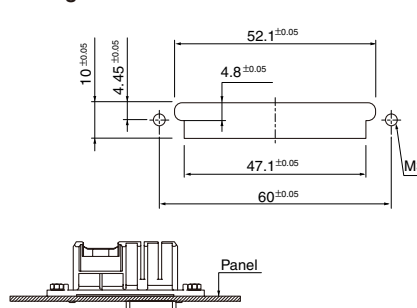
#### Hybrid type

Panel thickness: t0.8 to 2.0mm

When mounting from mating side



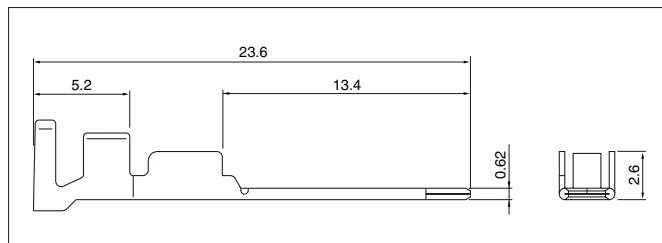
When mounting from socket side



- Note: 1. Punch holes in the panel according to the figures shown above. Burrs must be removed.  
2. The strength of the panel must be considered when punching two or more holes.  
3. The connector must be inserted from the same side as the hole is punched.

# RIZ CONNECTOR L-Type

## Plug contact for power supply circuit



Model No.	Applicable wire		Insulation O.D. (mm)	Q'ty / reel
	mm <sup>2</sup>	AWG #		
SRWM-01GG-S0.6	0.2 ~0.5	24~20	1.4 ~1.9	4,000
SRWM-21GG-S0.6	0.3 ~0.75	22~18	1.55~3.1	3,000
SRWM-61GG-S0.6	0.75~2.0	18~14	2.0 ~3.6	3,000

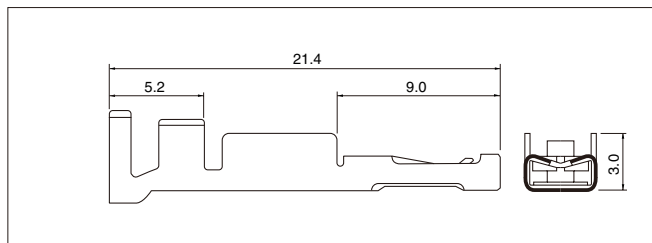
### Material and Finish

Copper alloy, nickel-undercoated, Mating part; gold-plated  
Crimping part; tin-plated (reflow treatment)

**RoHS compliance** This product displays (LF)(SN) on a label.

Contact	Crimping machine	Applicator		
		Crimp applicator	Dies	Crimp applicator with dies
SRWM-01GG-S0.6	AP-K2N	MKS-L	MK/SRPF/M-01-06	APLMK SRPF/M01-06
		-	-	-
SRWM-21GG-S0.6		MKS-L	MK/SRPF/M-21-06	APLMK SRPF/M21-06
		-	-	-
SRWM-61GG-S0.6		MKS-L	MK/SRPF/M-61-06	APLMK SRPF/M61-06
		-	-	-

## Receptacle contact for power supply circuit



Model No.	Applicable wire		Insulation O.D. (mm)	Q'ty / reel
	mm <sup>2</sup>	AWG #		
SRWF-01GG-M0.6	0.2 ~0.5	24~20	1.4 ~1.9	4,000
SRWF-21GG-M0.6	0.3 ~0.75	22~18	1.55~3.1	3,000
SRWF-61GG-M0.6	0.75~2.0	18~14	2.0 ~3.6	3,000

### Material and Finish

Copper alloy, nickel-undercoated, Mating part; gold-plated  
Crimping part; tin-plated (reflow treatment)

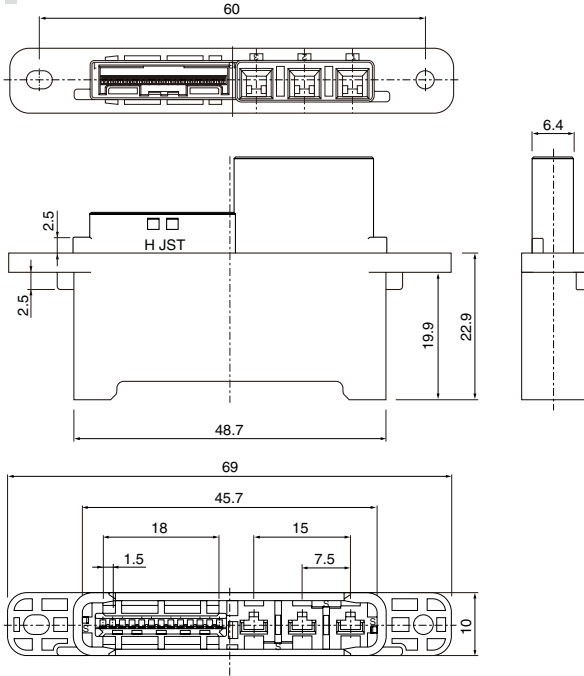
**RoHS compliance** This product displays (LF)(SN) on a label.

Contact	Crimping machine	Applicator		
		Crimp applicator	Dies	Crimp applicator with dies
SRWF-01GG-M0.6	AP-K2N	MKS-L	MK/SRPF/M-01-06	APLMK SRPF/M01-06
		-	-	-
SRWF-21GG-M0.6		MKS-L	MK/SRPF/M-21-06	APLMK SRPF/M21-06
		-	-	-
SRWF-61GG-M0.6		MKS-L	MK/SRPF/M-61-06	APLMK SRPF/M61-06
		-	-	-

# RIZ CONNECTOR L-Type

## Plug

### Hybrid type (Connector with integrated signal and power)



Circuits		Model No.	Q'ty / box
Power supply	Signal		
3	13	<b>13LP-RIZ-K2GG-S3</b>	45

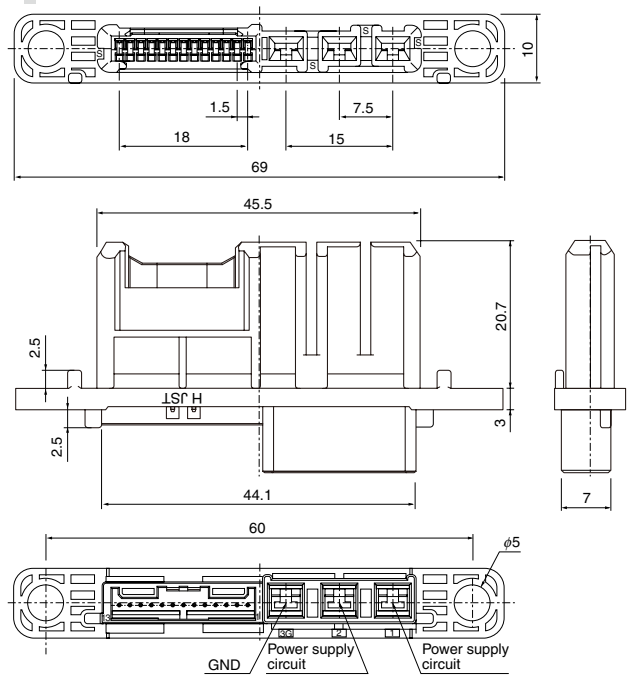
#### Material and Finish

Contact: Copper alloy, nickel-undercoated, selective gold-plated tin-plated (reflow-treatment)  
Housing: PBT, UL94V-0, black

**RoHS compliance** This product displays (LF)(SN) on a label.

## Receptacle

### Hybrid type (Connector with integrated signal and power)



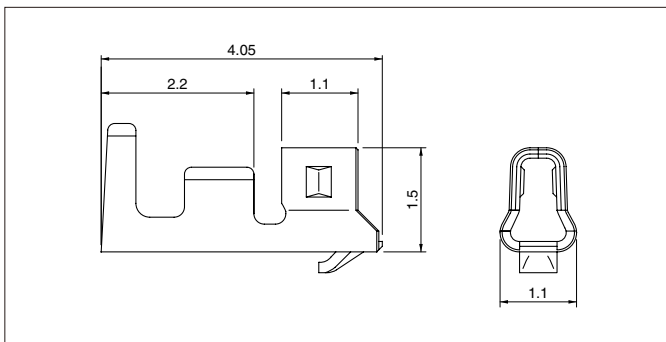
Circuits		Model No.	Q'ty / box
Power supply	Signal		
3	13	<b>13LR-RIZ-K4GG-SR3</b>	60

#### Material and Finish

Contact: Copper alloy, nickel-undercoated, selective gold-plated tin-plated (reflow-treatment)  
Housing: PBT, UL94V-0, black

**RoHS compliance** This product displays (LF)(SN) on a label.

## CZH connector contact (for RCZ connector)



Model No.	Applicable wire		Insulation O.D. (mm)	Q'ty / reel
	mm <sup>2</sup>	AWG #		
<b>SCZH-002T-P0.5</b>	0.08~0.13	28~26	0.8~1.1	13,000

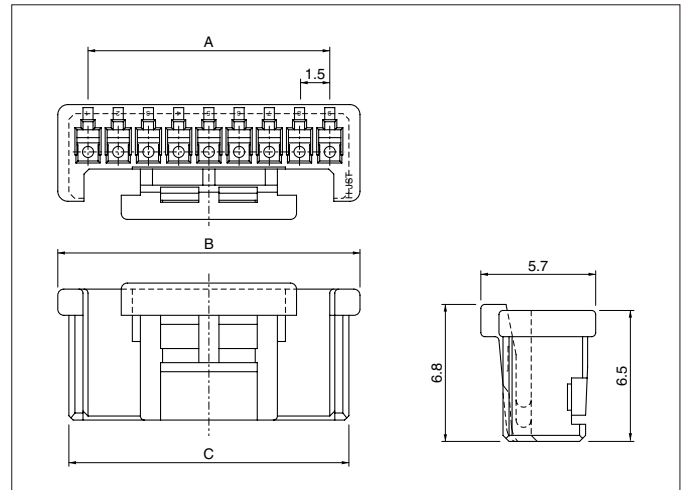
#### Material and Finish

Copper alloy, tin-plated (reflow treatment)

**RoHS compliance**

Contact	Crimping machine	Applicator		
		Crimp applicator	Dies	Crimp applicator with dies
<b>SCZH-002T-P0.5</b>	AP-K2N	MKS-L	MK/SCZH-002-05	APLMK SCZH002-05

## RCZ connector socket housing



Circuits	Model No.	Dimensions (mm)			Q'ty / bag
		A	B	C	
13	<b>RCZR-13V-PS</b>	18.0	21.0	19.9	1,000

#### Material

PA 66, UL94V-0

**RoHS compliance** This product displays (LF)(SN) on a label.