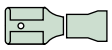
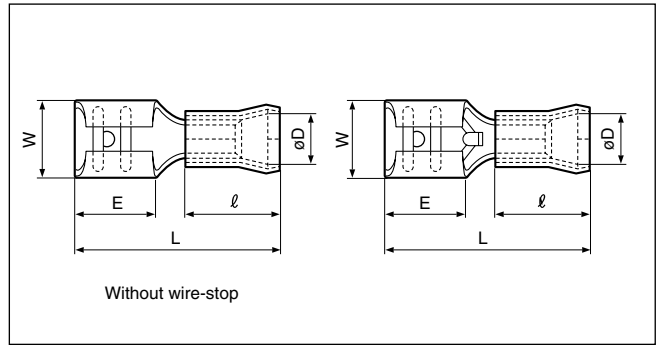
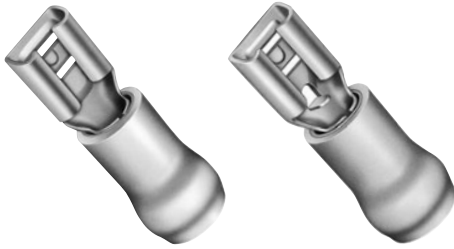
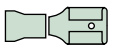


Solderless terminals



QUICK DISCONNECT Female, Vinyl-insulated with copper sleeve

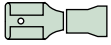


Certificate No.: E70188 LR20812

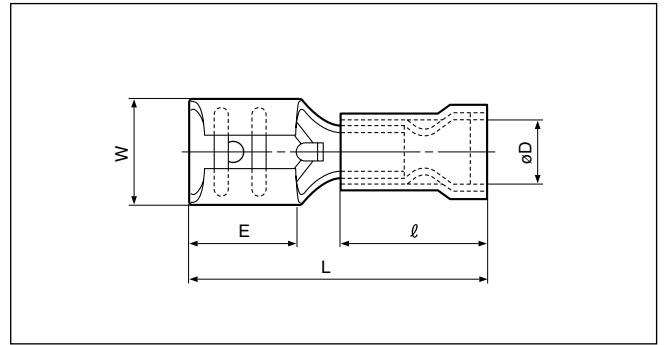
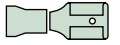
| | Applicable Wire AWG#(mm ²) | Part No. | Standard | Dimensions mm (in.) | | | | | | Color | Tool No. | | | | | | Qty/box | | | |
|-----|-------------------------------------------|-------------------------|------------------|---------------------|-------------|-------------|------------|-------------|-----------------------|------------|-------------------------|----------|----------|----------|-----------|------|---------|------|-------|----------|
| | | | | W | L | E | ø D | ℓ | Material Thickness | | Mating Tab Thickness | YNT-2622 | YNT-2216 | YNT-1614 | YNT-1210S | YA-1 | | YA-2 | YA-4 | BCT-0514 |
| 110 | 26 to 22 (0.2 to 0.5) | FVDDF0.5 -110A-5 * | | 3.7 (.146) | 16.4 (.646) | 6.4 (.252) | 2.2 (.087) | 8.0 (.315) | 0.25(.010) | 0.5 (.020) | Yellow | o | | | o | o | o | o | 1,000 | |
| | | FVDDF0.5 -110A-8 * | | 3.7 (.146) | 16.4 (.646) | 6.4 (.252) | 2.2 (.087) | 8.0 (.315) | 0.25(.010) | 0.8 (.031) | | | | | | | | | | |
| 187 | 22 to 16 (0.25 to 1.65) | FVDDF1.25-110A-5 | | 3.7 (.146) | 17.9 (.705) | 6.4 (.252) | 3.5 (.138) | 9.5 (.374) | 0.25(.010) | 0.5 (.020) | Red | o | | | o | o | o | o | 1,000 | |
| | | FVDDF1.25-110A-8 | | 3.7 (.146) | 17.9 (.705) | 6.4 (.252) | 3.5 (.138) | 9.5 (.374) | 0.25(.010) | 0.8 (.031) | | | | | | | | | | |
| | | FVDDF1.25-187A-5 | | 5.7 (.224) | 18.7 (.736) | 6.0 (.236) | 3.5 (.138) | 9.5 (.374) | 0.35(.014) | 0.5 (.020) | | | | | | | | | | |
| | | FVDDF1.25-187A-8 | | 5.7 (.224) | 18.7 (.736) | 6.0 (.236) | 3.5 (.138) | 9.5 (.374) | 0.35(.014) | 0.8 (.031) | | | | | | | | | | |
| 205 | 16 to 14 (1.04 to 2.63) | FVDDF2 -187A-5 | | 5.7 (.224) | 18.7 (.736) | 6.0 (.236) | 4.3 (.169) | 9.5 (.374) | 0.35(.014) | 0.5 (.020) | Blue | | o | | o | o | o | o | 1,000 | |
| | | FVDDF2 -187A-8 | | 5.7 (.224) | 18.7 (.736) | 6.0 (.236) | 4.3 (.169) | 9.5 (.374) | 0.35(.014) | 0.8 (.031) | | | | | | | | | | |
| 250 | 22 to 16 (0.25 to 1.65) | FVDDF1.25-205A-5 * | | 6.3 (.248) | 18.7 (.736) | 6.4 (.252) | 3.5 (.138) | 9.5 (.374) | 0.4 (.016) | 0.5 (.020) | Red | o | | | o | o | o | o | 1,000 | |
| | | FVDDF1.25-205A-8 * | | 6.3 (.248) | 18.7 (.736) | 6.4 (.252) | 3.5 (.138) | 9.5 (.374) | 0.4 (.016) | 0.8 (.031) | | | | | | | | | | |
| 375 | 16 to 14 (1.04 to 2.63) | FVDDF2 -205A-5 * | | 6.3 (.248) | 18.7 (.736) | 6.4 (.252) | 4.3 (.169) | 9.5 (.374) | 0.4 (.016) | 0.5 (.020) | Blue | | o | | o | o | o | o | 1,000 | |
| | | FVDDF2 -205A-8 * | | 6.3 (.248) | 18.7 (.736) | 6.4 (.252) | 4.3 (.169) | 9.5 (.374) | 0.4 (.016) | 0.8 (.031) | | | | | | | | | | |
| | 250 | 22 to 16 (0.25 to 1.65) | FVDDF1.25-250A | | 7.4 (.291) | 20.5 (.807) | 7.8 (.307) | 3.5 (.138) | 9.5 (.374) | 0.4 (.016) | 0.8 (.031) | Red | o | | | o | o | o | o | 1,000 |
| | | 16 to 14 (1.04 to 2.63) | FVDDF2 -250A | | 7.4 (.291) | 20.5 (.807) | 7.8 (.307) | 4.3 (.169) | 9.5 (.374) | 0.4 (.016) | 0.8 (.031) | | | | | | | | | |
| | | 12 to 10 (2.63 to 6.64) | FVDDF5.5 -250A | | 7.4 (.291) | 24.5 (.965) | 7.8 (.307) | 6.2 (.244) | 13.5 (.531) | 0.4 (.016) | 0.8 (.031) | | | | | | | | | |
| | | 22 to 16 (0.25 to 1.65) | FVDDF1.25-250B * | | 7.6 (.299) | 20.5 (.807) | 8.0 (.315) | 3.5 (.138) | 9.5 (.374) | 0.45(.018) | 0.8 (.031) | | | | | | | | | |
| 250 | 16 to 14 (1.04 to 2.63) | FVDDF2 -250B * | | 7.6 (.299) | 20.5 (.807) | 8.0 (.315) | 4.3 (.169) | 9.5 (.374) | 0.45(.018) | 0.8 (.031) | Blue | | o | | o | o | o | o | 1,000 | |
| | 12 to 10 (2.63 to 6.64) | FVDDF5.5 -250B * | | 7.6 (.299) | 24.5 (.965) | 8.0 (.315) | 6.2 (.244) | 13.5 (.531) | 0.45(.018) | 0.8 (.031) | | | | | | | | | | |
| 375 | 16 to 14 (1.04 to 2.63) | FVDDF2 -375A * | | 11.0 (.433) | 25.2 (.992) | 12.0 (.472) | 4.3 (.169) | 9.5 (.374) | 0.5 (.020) | 1.1 (.043) | Blue | | o | | o | o | o | o | 500 | |
| | 12 to 10 (2.63 to 6.64) | FVDDF5.5 -375A * | | 11.0 (.433) | 29.2(1.150) | 12.0 (.472) | 6.2 (.244) | 13.5 (.531) | 0.5 (.020) | 1.1 (.043) | | | | | | | | | | |

Note:1) Products marked with * are without wire-stop.
 2) Delivery lead times may vary depending on the product. Contact JST for details.

Solderless terminals



QUICK DISCONNECT Female, Vinyl-insulated with funnel-entry copper sleeve

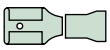


Certificate No.: E70188 LR20812

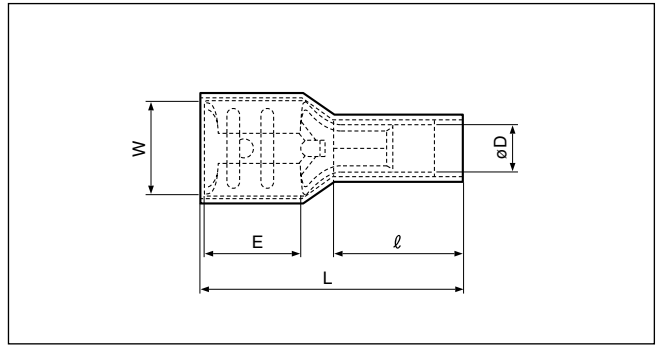
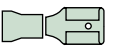
| | Applicable Wire AWG#(mm ²) | Part No. | Standard | Dimensions mm (in.) | | | | | | Color | Tool No. | | | | | Qty/box | |
|------------|-------------------------------------------|------------------|----------|---------------------|-------------|------------|------------|-------------|--------------------|------------|----------------------|----------|----------|------|------|---------|-------|
| | | | | W | L | E | ø D | l | Material Thickness | | Mating Tab Thickness | YNT-2216 | YNT-1614 | YA-1 | YA-2 | | YA-4 |
| 110 187 | 22 to 16 (0.25 to 1.65) | FVZDF1.25-110A-5 | | 3.7 (.146) | 19.4 (.764) | 6.4 (.252) | 3.6 (.142) | 11.0 (.433) | 0.25(.010) | 0.5 (.020) | Red | o | o | o | o | o | 1,000 |
| | | FVZDF1.25-110A-8 | | 3.7 (.146) | 19.4 (.764) | 6.4 (.252) | 3.6 (.142) | 11.0 (.433) | 0.25(.010) | 0.8 (.031) | | o | o | o | o | o | |
| | | FVZDF1.25-187A-5 | | 5.7 (.224) | 20.2 (.795) | 6.0 (.236) | 3.6 (.142) | 11.0 (.433) | 0.35(.014) | 0.5 (.020) | Blue | o | o | o | o | o | 1,000 |
| | | FVZDF1.25-187A-8 | | 5.7 (.224) | 20.2 (.795) | 6.0 (.236) | 3.6 (.142) | 11.0 (.433) | 0.35(.014) | 0.8 (.031) | | o | o | o | o | o | |
| 250 | 22 to 16 (0.25 to 1.65) | FVZDF1.25-250A | | 7.4 (.291) | 22.0 (.866) | 7.8 (.307) | 3.6 (.142) | 11.0 (.433) | 0.4 (.016) | 0.8 (.031) | Red | o | o | o | o | o | 1,000 |
| | 16 to 14 (1.04 to 2.63) | FVZDF2 -250A | | 7.4 (.291) | 22.0 (.866) | 7.8 (.307) | 4.3 (.169) | 11.0 (.433) | 0.4 (.016) | 0.8 (.031) | Blue | o | o | o | o | o | 1,000 |

Note:1) Delivery lead times may vary depending on the product. Contact JST for details.

Solderless terminals



QUICK DISCONNECT Female, Fully-insulated with copper sleeve

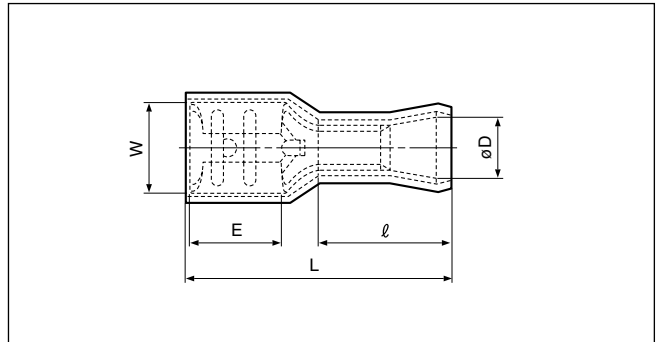


With straight insulation

Certificate No.: E70188 LR20812

| | Applicable Wire AWG#(mm ²) | Part No. | Standard | Dimensions mm (in.) | | | | | | Material Thickness | Mating Tab Thickness | Color | Tool No. | | | | | | Qty/box |
|-----|-------------------------------------------|------------------|----------|---------------------|-------------|------------|------------|-------------|------------|-----------------------|-------------------------|-------|----------|-----------|------|------|------|----------|---------|
| | | | | W | L | E | ø D | ℓ | YNT-2216 | | | | YNT-1614 | YNT-1210S | YA-1 | YA-2 | YA-4 | BCT-0514 | |
| 187 | 22 to 16 (0.25 to 1.65) | LVDDF1.25-187A-5 | | 5.7 (.224) | 20.0 (.787) | 6.0 (.236) | 2.7 (.106) | 11.0 (.433) | 0.35(.014) | 0.5 (.020) | Red | o | | | | | | 1,000 | |
| | | LVDDF1.25-187A-8 | | 5.7 (.224) | 20.0 (.787) | 6.0 (.236) | 2.7 (.106) | 11.0 (.433) | 0.35(.014) | 0.8 (.031) | | | | | | | | | |
| | 16 to 14 (1.04 to 2.63) | LVDDF2 -187A-5 | | 5.7 (.224) | 20.0 (.787) | 6.0 (.236) | 3.2 (.126) | 11.0 (.433) | 0.35(.014) | 0.5 (.020) | Blue | o | | | | | | 1,000 | |
| | | LVDDF2 -187A-8 | | 5.7 (.224) | 20.0 (.787) | 6.0 (.236) | 3.2 (.126) | 11.0 (.433) | 0.35(.014) | 0.8 (.031) | | | | | | | | | |
| 250 | 22 to 16 (0.25 to 1.65) | LVDDF1.25-250A | | 7.4 (.291) | 22.0 (.866) | 7.8 (.307) | 2.7 (.106) | 11.0 (.433) | 0.4 (.016) | 0.8 (.031) | Red | o | | | | | | 500 | |
| | 16 to 14 (1.04 to 2.63) | LVDDF2 -250A | | 7.4 (.291) | 22.0 (.866) | 7.8 (.307) | 3.2 (.126) | 11.0 (.433) | 0.4 (.016) | 0.8 (.031) | Blue | o | | | | | | 500 | |
| | 12 to 10 (2.63 to 6.64) | LVDDF5.5 -250A | | 7.4 (.291) | 25.0 (.984) | 7.8 (.307) | 4.5 (.177) | 14.0 (.551) | 0.4 (.016) | 0.8 (.031) | Yellow | | o | | | | | 500 | |

Note:1) Delivery lead times may vary depending on the product. Contact JST for details.



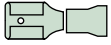
With flared insulation

Certificate No.: E70188 LR20812

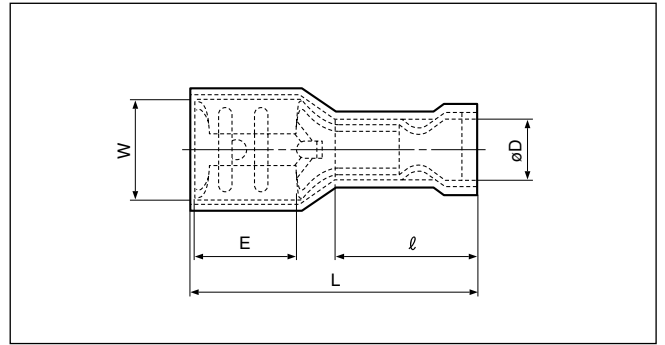
| | Applicable Wire AWG#(mm ²) | Part No. | Standard | Dimensions mm (in.) | | | | | | Material Thickness | Mating Tab Thickness | Color | Tool No. | | | | | | Qty/box |
|-----|-------------------------------------------|-------------------|----------|---------------------|-------------|------------|------------|------------|------------|-----------------------|-------------------------|-------|----------|-----------|------|------|------|----------|---------|
| | | | | W | L | E | ø D | ℓ | YNT-2216 | | | | YNT-1614 | YNT-1210S | YA-1 | YA-2 | YA-4 | BCT-0514 | |
| 187 | 22 to 16 (0.25 to 1.65) | FLVDDF1.25-187A-5 | | 5.7 (.224) | 19.0 (.748) | 6.0 (.236) | 3.5 (.138) | 9.5 (.374) | 0.35(.014) | 0.5 (.020) | Red | o | | | | | | 1,000 | |
| | | FLVDDF1.25-187A-8 | | 5.7 (.224) | 19.0 (.748) | 6.0 (.236) | 3.5 (.138) | 9.5 (.374) | 0.35(.014) | 0.8 (.031) | | | | | | | | | |
| | 16 to 14 (1.04 to 2.63) | FLVDDF2 -187A-5 | | 5.7 (.224) | 19.0 (.748) | 6.0 (.236) | 4.3 (.169) | 9.5 (.374) | 0.35(.014) | 0.5 (.020) | Blue | o | | | | | | 1,000 | |
| | | FLVDDF2 -187A-8 | | 5.7 (.224) | 19.0 (.748) | 6.0 (.236) | 4.3 (.169) | 9.5 (.374) | 0.35(.014) | 0.8 (.031) | | | | | | | | | |
| 250 | 22 to 16 (0.25 to 1.65) | FLVDDF1.25-250A | | 7.4 (.291) | 21.0 (.827) | 7.8 (.307) | 3.5 (.138) | 9.5 (.374) | 0.4 (.016) | 0.8 (.031) | Red | o | | | | | | 500 | |
| | 16 to 14 (1.04 to 2.63) | FLVDDF2 -250A | | 7.4 (.291) | 21.0 (.827) | 7.8 (.307) | 4.3 (.169) | 9.5 (.374) | 0.4 (.016) | 0.8 (.031) | Blue | o | | | | | | 500 | |

Note:1) Delivery lead times may vary depending on the product. Contact JST for details.

Solderless terminals



QUICK DISCONNECT Female, Fully-insulated with funnel-entry copper sleeve

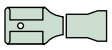


Certificate No.: E70188 LR20812

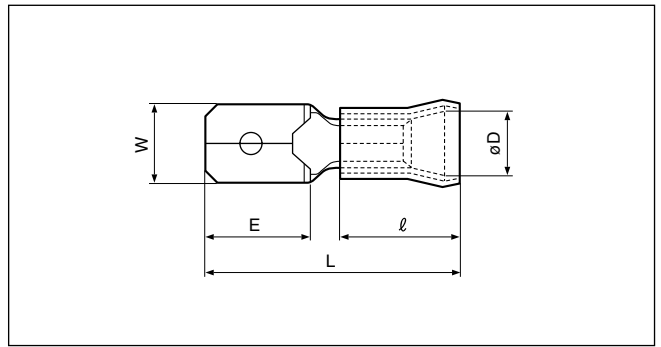
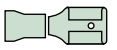
| | Applicable Wire AWG#(mm ²) | Part No. | Standard | Dimensions mm (in.) | | | | | | Color | Tool No. | | | | | Qty/box | |
|-----|-------------------------------------------|-------------------|----------|---------------------|-------------|------------|------------|-------------|--------------------|------------|----------------------|----------|----------|------|------|---------|-------|
| | | | | W | L | E | ø D | l | Material Thickness | | Mating Tab Thickness | YNT-2216 | YNT-1614 | YA-1 | YA-2 | | YA-4 |
| 187 | 22 to 16 (0.25 to 1.65) | FLVZDF1.25-187A-5 | | 5.7 (.224) | 20.5 (.807) | 6.0 (.236) | 3.6 (.142) | 11.0 (.433) | 0.35(.014) | 0.5 (.020) | Red | 0 | 0 | 0 | 0 | 0 | 1,000 |
| | | FLVZDF1.25-187A-8 | | 5.7 (.224) | 20.5 (.807) | 6.0 (.236) | 3.6 (.142) | 11.0 (.433) | 0.35(.014) | 0.8 (.031) | | 0 | 0 | 0 | 0 | 0 | |
| | 16 to 14 (1.04 to 2.63) | FLVZDF2 -187A-5 | | 5.7 (.224) | 20.5 (.807) | 6.0 (.236) | 4.3 (.169) | 11.0 (.433) | 0.35(.014) | 0.5 (.020) | Blue | 0 | 0 | 0 | 0 | 0 | 1,000 |
| | | FLVZDF2 -187A-8 | | 5.7 (.224) | 20.5 (.807) | 6.0 (.236) | 4.3 (.169) | 11.0 (.433) | 0.35(.014) | 0.8 (.031) | | 0 | 0 | 0 | 0 | 0 | |
| 250 | 22 to 16 (0.25 to 1.65) | FLVZDF1.25-250A | | 7.4 (.291) | 22.5 (.886) | 7.8 (.307) | 3.6 (.142) | 11.0 (.433) | 0.4 (.016) | 0.8 (.031) | Red | 0 | 0 | 0 | 0 | 0 | 500 |
| | 16 to 14 (1.04 to 2.63) | FLVZDF2 -250A | | 7.4 (.291) | 22.5 (.886) | 7.8 (.307) | 4.3 (.169) | 11.0 (.433) | 0.4 (.016) | 0.8 (.031) | | Blue | 0 | 0 | 0 | 0 | |

Note:1) Delivery lead times may vary depending on the product. Contact JST for details.

Solderless terminals



QUICK DISCONNECT Male, Vinyl-insulated with copper sleeve

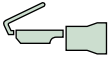


Certificate No.: E70188 LR20812

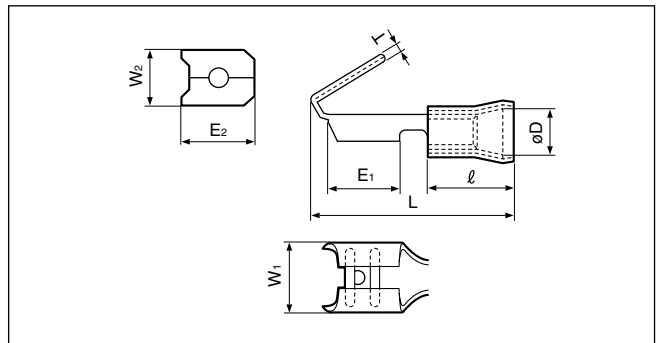
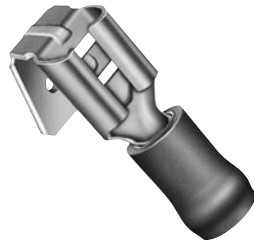
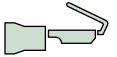
| Applicable Wire AWG#(mm ²) | Part No. | Standard | Dimensions mm (in.) | | | | | | | Material Thickness | Mating Tab Thickness | Color | Tool No. | | | | | Qty/box | |
|-------------------------------------------|-------------------------|---------------|---------------------|---|------------|-------------|------------|------------|-------------|-----------------------|-------------------------|--------|-----------|------|------|------|----------|---------|-------|
| | | | W | L | E | ø D | l | YNT-2216 | YNT-1614 | | | | YNT-1210S | YA-1 | YA-2 | YA-4 | BCT-0514 | | |
| 260 | 22 to 16 (0.25 to 1.65) | FVDDM1.25-250 | | | 6.3 (.248) | 20.5 (.807) | 8.0 (.315) | 3.5 (.138) | 9.5 (.374) | 0.4 (.016) | 0.8 (.031) | Red | o | | o | o | o | o | 1,000 |
| | 16 to 14 (1.04 to 2.63) | FVDDM2 -250 | | | 6.3 (.248) | 20.5 (.807) | 8.0 (.315) | 4.3 (.169) | 9.5 (.374) | 0.4 (.016) | 0.8 (.031) | Blue | | o | o | o | o | o | 1,000 |
| | 12 to 10 (2.63 to 6.64) | FVDDM5.5 -250 | | | 6.3 (.248) | 24.5 (.965) | 8.5 (.335) | 6.2 (.244) | 13.5 (.531) | 0.4 (.016) | 0.8 (.031) | Yellow | | o | | | o | o | 500 |

Note:1) Delivery lead times may vary depending on the product. Contact JST for details.

Solderless terminals



PIGGYBACK Vinyl-insulated with copper sleeve



Certificate No.: E70188 LR20812

| Applicable Wire AWG#(mm ²) | Part No. | Standard | Dimensions mm (in.) | | | | | | | | | | Color | Tool No. | | | | | Qty/box | | |
|-------------------------------------------|-------------------------|-----------------|---------------------|----------------|------------|----------------|----------------|------------|------------|-----------------------|------------|------------|------------|----------|------|------|------|----------|---------|---|-----|
| | | | W | | L | E | | ø D | l | Material Thickness | T | YNT-2216 | | YNT-1614 | YA-1 | YA-2 | YA-4 | BCT-0514 | | | |
| | | | W ₁ | W ₂ | | E ₁ | E ₂ | | | | | | | | | | | | | | |
| 250 | 22 to 16 (0.25 to 1.65) | FVDDFM1.25-250A | | | 7.4 (.291) | 6.3 (.248) | 20.5 (.807) | 7.8 (.307) | 8.0 (.315) | 3.5 (.138) | 9.5 (.374) | 0.4 (.016) | 0.8 (.031) | Red | o | | o | o | o | o | 500 |
| | 16 to 14 (1.04 to 2.63) | FVDDFM2 -250A | | | 7.6 (.299) | 6.3 (.248) | 22.0 (.866) | 7.8 (.307) | 8.0 (.315) | 4.3 (.170) | 9.5 (.374) | 0.4 (.016) | 0.8 (.031) | Blue | o | o | o | o | o | o | 500 |
| | | FVDDFM2 -250B | | | 7.4 (.291) | 6.3 (.248) | 22.2 (.874) | 7.8 (.307) | 8.0 (.315) | 4.3 (.170) | 9.5 (.374) | 0.4 (.016) | 0.8 (.031) | | | | | | | | |

Note:1) Terminals FVDDFM2-250A have no slits in the receptacle part.
2) Delivery lead times may vary depending on the product. Contact JST for details.