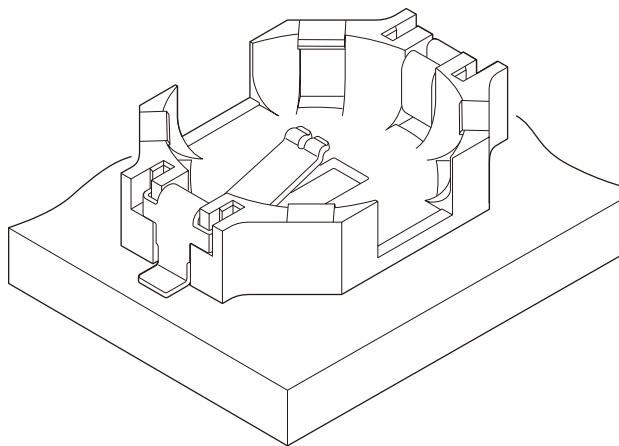




PB CONNECTOR



Connector for button batteries used in the compact mobile equipment such as mobile phones. Mounting cost will be reduced by using this connector in place of manual soldering. And, button batteries can be more easily disassembled after use for recycling's sake.

- Resistant to the shock
- Double contact point

Specifications

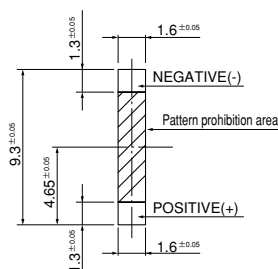
- Applicable batteries: 414 type battery (ϕ 4.8mm \times 1.4 height)
518 type battery (ϕ 5.8mm \times 1.8 height)
614 type battery (ϕ 6.8mm \times 1.4 height)
621 type battery (ϕ 6.8mm \times 2.1 height)
- Temperature range: -25°C to +85°C
(including temperature rise in applying electrical current)
- Contact resistance: Initial value/100m Ω max.
After environmental testing/120m Ω max.
- Insulation resistance: 1,000M Ω min.
- Withstanding voltage: 500V AC/minute
- * Compliant with RoHS.
- * Refer to "General Instruction and Notice when using Terminals and Connectors" at the end of this catalog.
- * Contact JST for details.

Standards

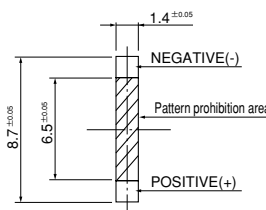
Recognized E60389

PC board layout (viewed from component side)

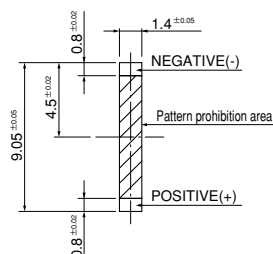
PB-414SR12K-TF



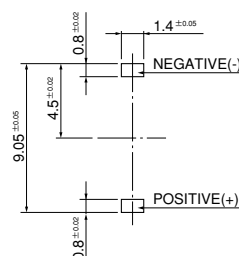
PB-414SS12-TF



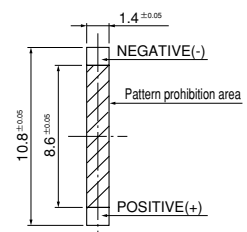
PB-518SR13-TF



PB-518SW13-TF

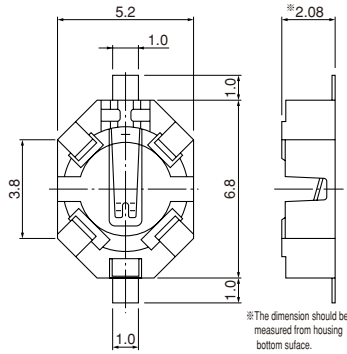


PB-614SS13-TF
PB-621SR13-TF

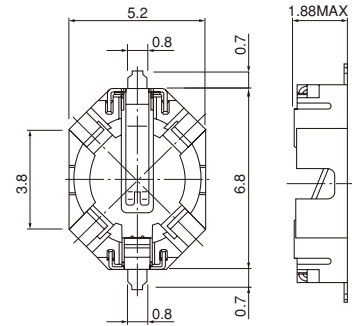


Connector

414 type

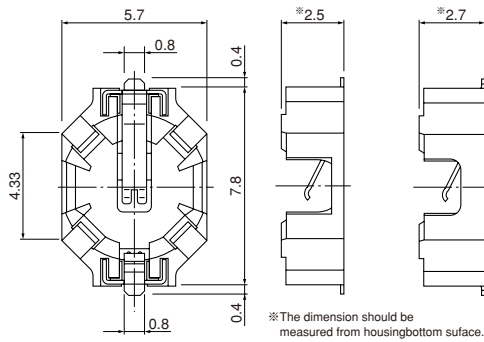


414 type/low profile

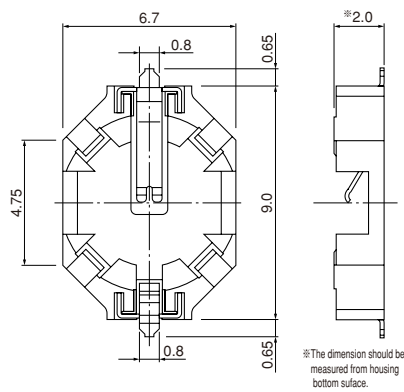


518 type

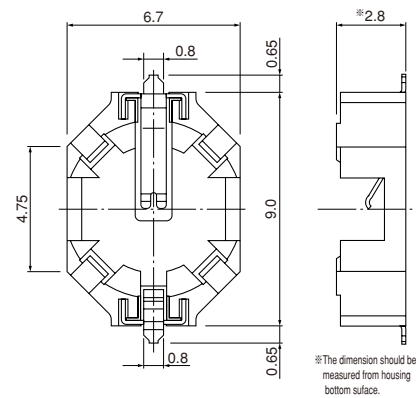
bottom covered



614 type



621 type



Type	Holder part	Model No.	Qty / reel
414	Resin hook	PB-414SR12K-TF	3,000
414/low profile type	Resin hook	PB-414SS12-TF	3,000
518	Resin hook	PB-518SR13-TF	2,000
518/bottom covered	Resin hook	PB-518SW13-TF	2,000
614	Resin hook	PB-614SS13-TF	2,000
621	Resin hook	PB-621SR13-TF	2,000

Material and Finish

Contact: Copper alloy, nickel-undercoated, gold-plated
 Housing: Glass-filled LCP, UL94V-0, natural (ivory), black (414 type)

RoHS compliance