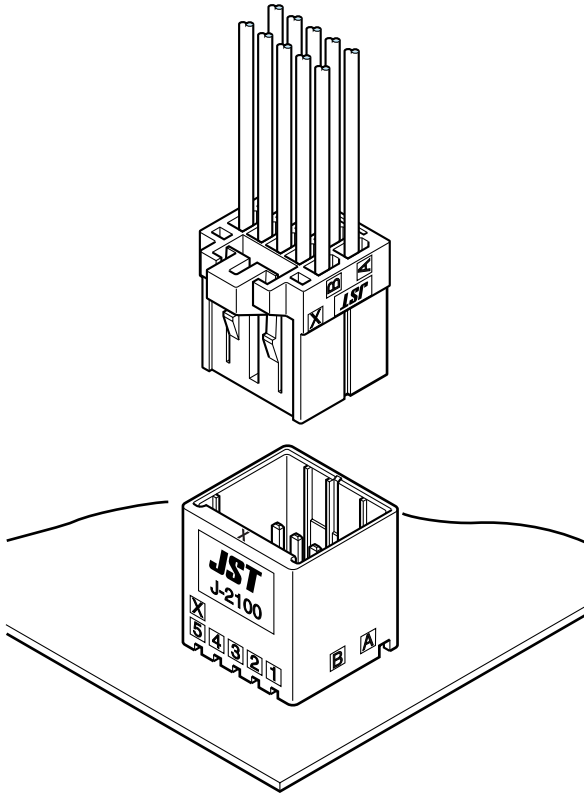


# JFA CONNECTOR J2000 SERIES

2.5mm pitch/Disconnectable Crimp style connectors(Wire-to-board/Wire-to-wire)



**2.5mm pitch connector for miniaturization of electronic equipment.**  
**Center locking or side locking options can be used depending on the required application.**  
**Receptacle contacts are designed to be common with all JFA connector J2000 series.**

- Double-spring construction
- 2 kinds of locking method
- Housing lance
- Clear "click feeling"

## Specifications

- Current rating: 4.6A max. AC, DC (3 circuits/AWG #20)
- Voltage rating: 250V AC, DC
- Temperature range: -55°C to +105°C  
 (including temperature rise in applying electrical current)
- Withstanding voltage: 1,500V AC/minute
- Applicable wire: AWG #28 to #20 (0.08 to 0.75mm<sup>2</sup>)
- Applicable PC board thickness: 1.6mm

\*Contact JST for details.

\*Compliant with RoHS.

## Current rating

Unit: A

Circuits	Wire size (AWG)				
	#20	#22	#24	#26	#28
3	4.6	4.4	3.4	3.0	2.4
4	4.5	4.3	3.2	2.8	2.3
6	4.3	4.1	2.8	2.6	2.1
8	4.1	3.6	2.6	2.3	1.9
10	3.9	3.4	2.5	2.2	1.8
12	3.6	3.1	2.4	2.0	1.6
16	3.2	2.8	2.2	1.8	1.4
20	2.9	2.5	2.1	1.7	1.3

## Standards

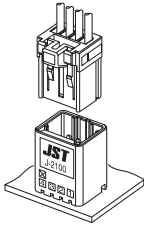
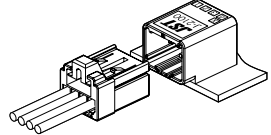
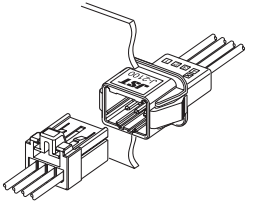
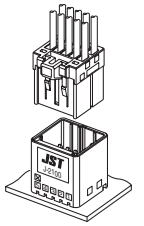
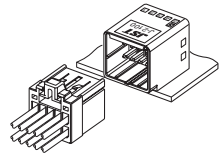
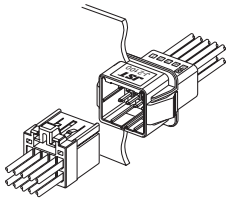
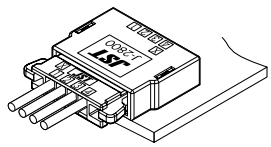
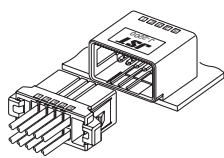
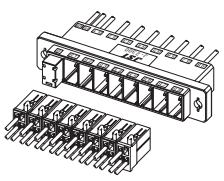
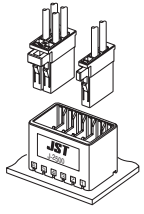
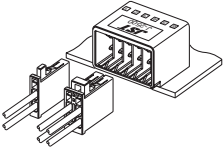
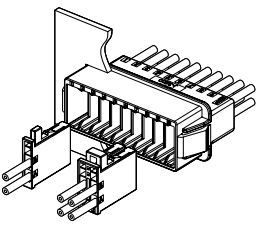
Recognized E60389

Certified LR20812

# JFA CONNECTOR/J2000 SERIES

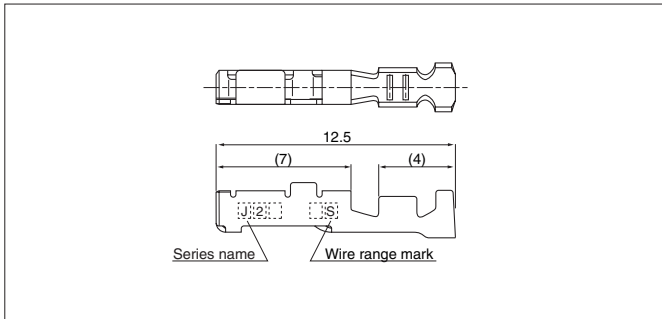
## List of J2000 series products

2.5mm pitch / Voltage rating 250V AC, DC

Type	Wire-to-board		Wire-to-wire	
	Top entry type	Side entry type	Panel mounting type	
Center locking type	<b>J2100</b> Single-row type			
	Circuits	3, 4	3, 4	3, 4
	<b>J2100</b> Double-row type			
	Circuits	6, 8, 10, 12, 16, 20	6, 8, 10, 12, 16, 20	6, 10, 12, 16, 20
Side locking type	<b>J2800</b> Single-row type			
	Circuits		4	
	<b>J2200</b> Double-row type			
	Circuits		10	
Common type for sensors	<b>J2300</b>			
	Circuits			Output 10 / Input 24
Module type	<b>J2500</b>			
	Circuits	12, 20	12, 20	20

# JFA CONNECTOR/J2000 SERIES

## Receptacle contact



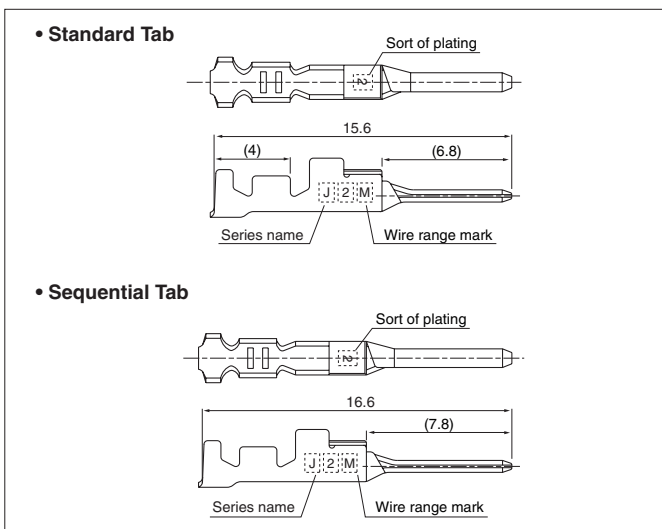
Strip contact Model No.	Applicable wire			Insulation O.D. (mm)	Q'ty / reel
	Nominal	mm <sup>2</sup>	AWG#		
<b>SJ2F-002GF-P1.0</b>	S	0.08~0.20	28~24	0.88~1.43	6,000
<b>SJ2F-01GF-P1.0</b>	M	0.20~0.50	24~20	1.11~1.53	6,000
<b>SJ2F-21GF-P1.0</b>	L	0.30~0.75	—	1.30~1.90	5,000

### Material and Finish

Copper alloy (superior conductivity), nickel-underplated, selective gold-plated

**RoHS compliance**

## Tab contact



Strip contact Model No.	Applicable wire			Insulation O.D. (mm)	Q'ty / reel
	Nominal	mm <sup>2</sup>	AWG#		
<b>SJ2M-002GF-M1.0N</b>	S	0.08~0.20	28~24	0.88~1.43	5,500
<b>SJ2M-01GF-M1.0N</b>	M	0.20~0.50	24~20	1.11~1.53	5,500
<b>SJ2M-21GF-M1.0N</b>	L	0.30~0.75	—	1.30~1.90	5,000
<b>SJ2M-01GF-M1.0S</b>	Sequential	0.20~0.50	24~20	1.11~1.53	5,500

### Material and Finish

Copper alloy (superior conductivity), nickel-underplated, selective gold-plated

**RoHS compliance**

## Crimping machine, Applicator

Strip contact Model No.	Crimping machine	Crimp applicator	Dies	Crimp applicator with dies	Hand crimp tools
<b>SJ2F-002GF-P1.0</b> <b>SJ2M-002GF-M1.0N</b>	AP-K2N	MKS-L	MK/SJ2F/M-002-10	APLMK SJ2F/M002-10	YRS-8851
<b>SJ2F-21GF-P1.0</b> <b>SJ2M-21GF-M1.0N</b>	AP-K2N	MKS-L	MK/SJ2F/M-21-10	APLMK SJ2F/M21-10	YRF-1120
		*MKS-SC-J2	SC/SJ2F/M-21-10	APLSC SJ2F/M21-10	

• Extraction tool for J2000 series: EJ-JFAJ2N

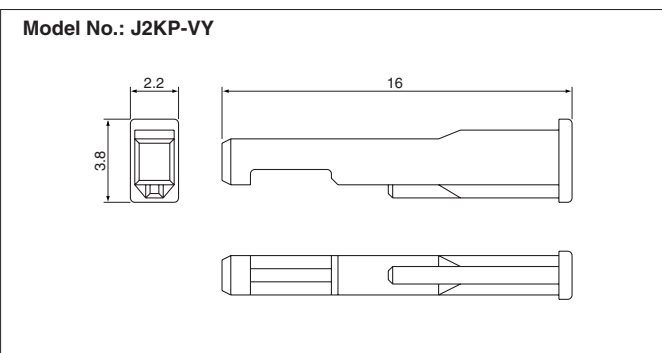
• Refer to page 15, 16 of YRK series hand crimping tools for details.

Note 1. \*: Strip-crimp applicator

2. Contact JST for fully automatic crimping applicator.

Strip contact Model No.	Crimping machine	Crimp applicator	Dies	Crimp applicator with dies	Hand crimp tools
<b>SJ2F-01GF-P1.0</b> <b>SJ2M-01GF-M1.0N</b> <b>SJ2M-01GF-M1.0S</b>	AP-K2N	MKS-L	MK/SJ2F/M-01-10	APLMK SJ2F/M01-10	YRS-8861
		*MKS-SC-J2	SC/SJ2F/M-01-10	APLSC SJ2F/M01-10	

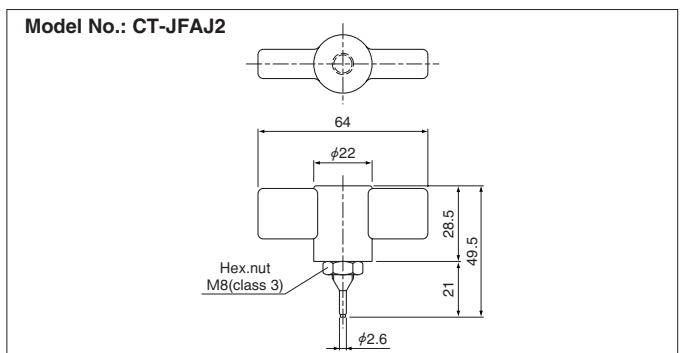
## Keying plug



RoHS compliance

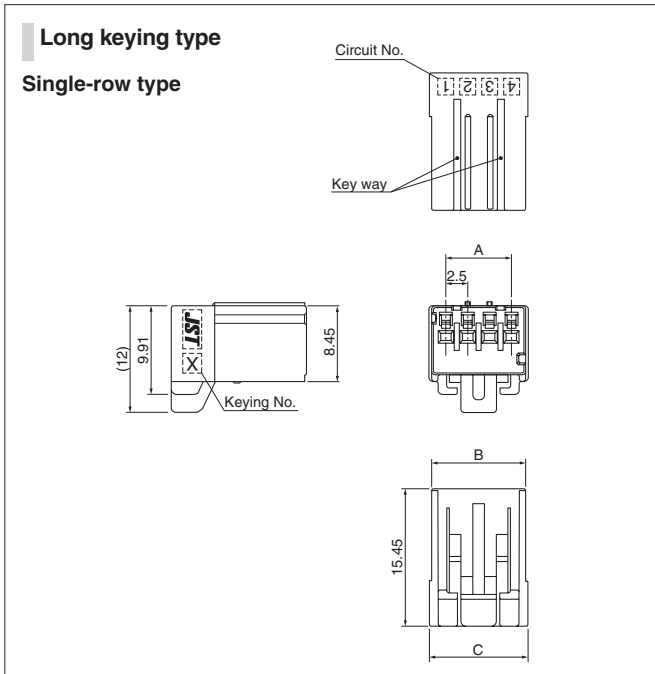
3 **JST**

## Tab contact cutting tool



# J2000 SERIES/J2100

## Receptacle housing (Center locking type)



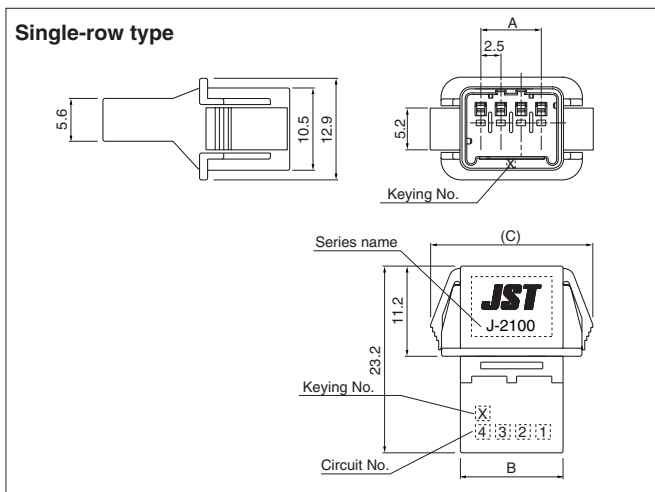
Circuits	Keying	Model No.	Dimensions (mm)			Q'ty / bag
			A	B	C	
3	X	J21SF-03V-KX-L	5.0	8.3	8.9	400
	Y	J21SF-03V-KY-L	5.0	8.3	8.9	400
4	X	J21SF-04V-KX-L	7.5	10.8	11.4	400
	Y	J21SF-04V-KY-L	7.5	10.8	11.4	400

### Material

Glass-filled PBT, UL94V-0, black

### RoHS compliance

## Tab housing (Panel mounting type)



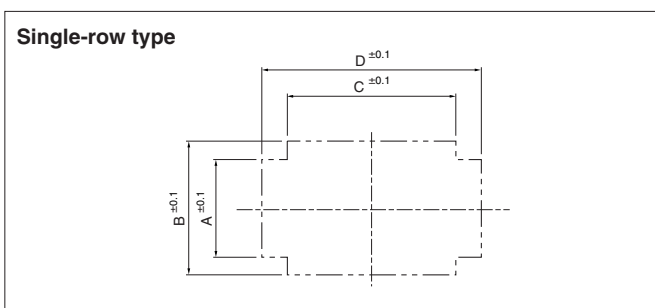
Circuits	Keying	Model No.	Dimensions (mm)			Q'ty / box
			A	B	(C)	
3	X	J21SPM-03V-KX	5.0	10.2	17.6	208
	Y	J21SPM-03V-KY	5.0	10.2	17.6	208
4	X	J21SPM-04V-KX	7.5	12.7	20.1	192
	Y	J21SPM-04V-KY	7.5	12.7	20.1	192

### Material

Glass-filled PBT, UL94V-0, black

### RoHS compliance

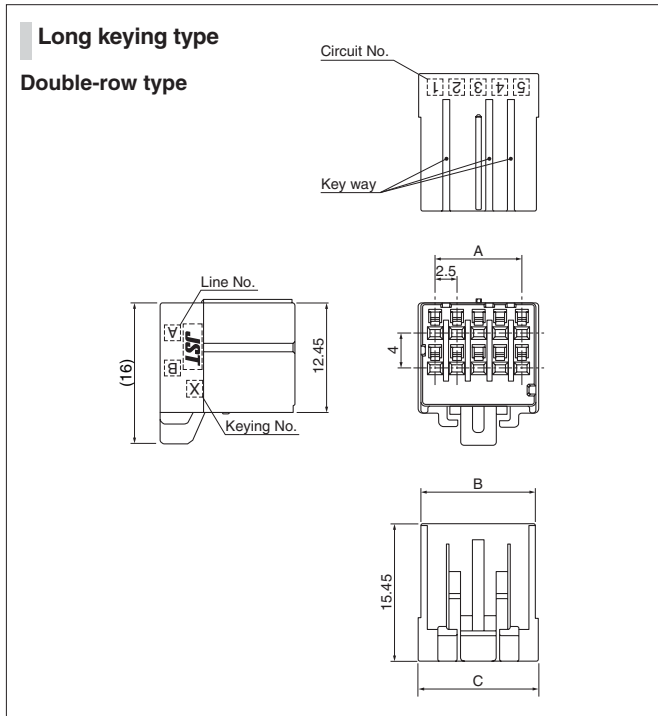
## Panel layout



Circuits	Dimensions (mm)			
	A	B	C	D
3	7.8	10.8	10.5	15.2
4	7.8	10.8	13.0	17.7

# J2000 SERIES/J2100

## Receptacle housing (Center locking type)



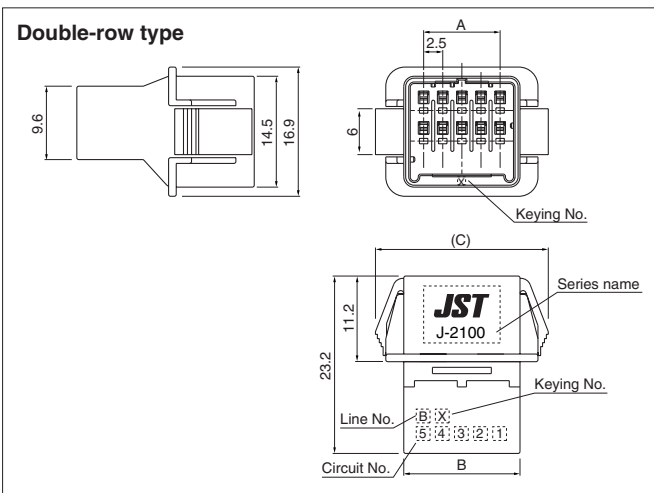
Circuits	Keying	Model No.	Dimensions (mm)			Q'ty / bag
			A	B	C	
6	X	J21DF-06V-KX-L	5.0	8.3	8.9	300
	Y	J21DF-06V-KY-L	5.0	8.3	8.9	300
8	X	J21DF-08V-KX-L	7.5	10.8	11.4	300
	Y	J21DF-08V-KY-L	7.5	10.8	11.4	300
10	X	J21DF-10V-KX-L	10.0	13.3	13.9	200
	Y	J21DF-10V-KY-L	10.0	13.3	13.9	200
12	X	J21DF-12V-KX-L	12.5	15.8	16.4	200
	Y	J21DF-12V-KY-L	12.5	15.8	16.4	200
16	X	J21DF-16V-KX-L	17.5	20.8	21.4	200
	Y	J21DF-16V-KY-L	17.5	20.8	21.4	200
20	X	J21DF-20V-KX-L	22.5	25.8	26.4	100
	Y	J21DF-20V-KY-L	22.5	25.8	26.4	100

### Material

Glass-filled PBT, UL94V-0, black

### RoHS compliance

## Tab housing (Panel mounting type)



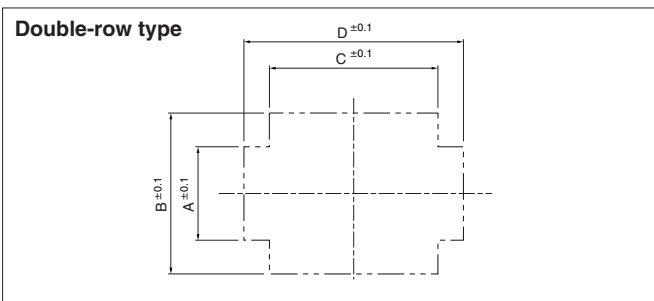
Circuits	Keying	Model No.	Dimensions (mm)			Q'ty / box
			A	B	(C)	
6	X	J21DPM-06V-KX	5.0	10.2	17.6	156
	Y	J21DPM-06V-KY	5.0	10.2	17.6	156
10	X	J21DPM-10V-KX	10.0	15.2	22.6	120
	Y	J21DPM-10V-KY	10.0	15.2	22.6	120
12	X	J21DPM-12V-KX	12.5	17.7	25.1	108
	Y	J21DPM-12V-KY	12.5	17.7	25.1	108
16	X	J21DPM-16V-KX	17.5	22.7	30.1	84
	Y	J21DPM-16V-KY	17.5	22.7	30.1	84
20	X	J21DPM-20V-KX	22.5	27.7	35.1	72
	Y	J21DPM-20V-KY	22.5	27.7	35.1	72

### Material

Glass-filled PBT, UL94V-0, black

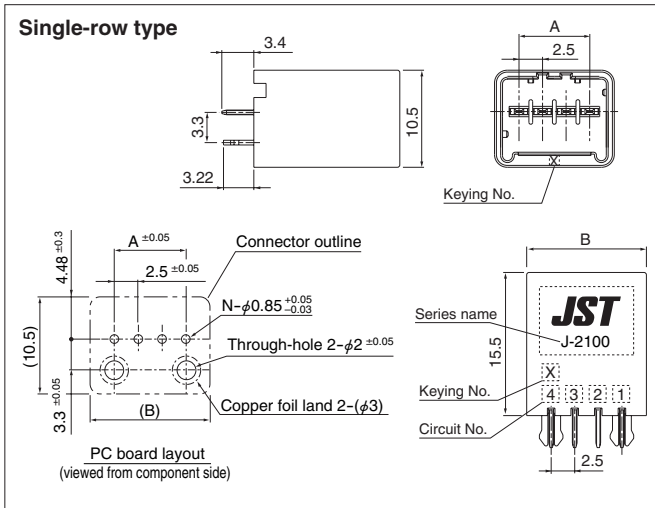
### RoHS compliance

## Panel layout



Circuits	Dimensions (mm)			
	A	B	C	D
6	8.6	14.8	10.5	15.2
10	8.6	14.8	15.5	20.2
12	8.6	14.8	18.0	22.7
16	8.6	14.8	23.0	27.7
20	8.6	14.8	28.0	32.7

## Header Top entry type (Center locking type)



Circuits	Keying	Model No.	Dimensions (mm)		Q'ty / box
			A	B	
3	X	<b>B03B-J21SK-GGXR</b>	5.0	10.2	378
	Y	<b>B03B-J21SK-GGYR</b>	5.0	10.2	378
4	X	<b>B04B-J21SK-GGXR</b>	7.5	12.7	306
	Y	<b>B04B-J21SK-GGYR</b>	7.5	12.7	306

### Material and Finish

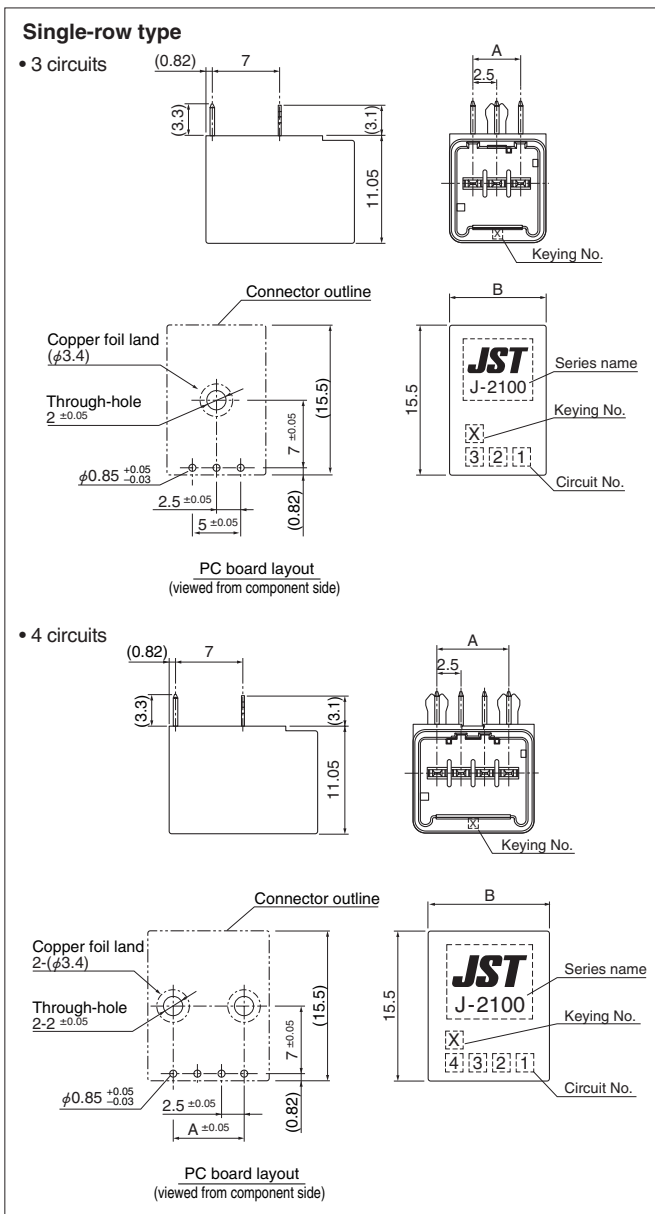
Tab contact: Copper alloy, nickel-undercoated, selective gold-plated

Housing: Glass-filled PBT, UL94V-0, black

Reinforcing metal fixture: Copper alloy, nickel-undercoated, selective gold-plated

**RoHS compliance** This product displays (LF)(AU) on a label.

## Header Side entry type (Center locking type)



Circuits	Keying	Model No.	Dimensions (mm)		Q'ty / box
			A	B	
3	X	<b>S03B-J21SK-GGXR</b>	5.0	10.2	294
	Y	<b>S03B-J21SK-GGYR</b>	5.0	10.2	294
4	X	<b>S04B-J21SK-GGXR</b>	7.5	12.7	238
	Y	<b>S04B-J21SK-GGYR</b>	7.5	12.7	238

### Material and Finish

Tab contact: Copper alloy, nickel-undercoated, selective gold-plated

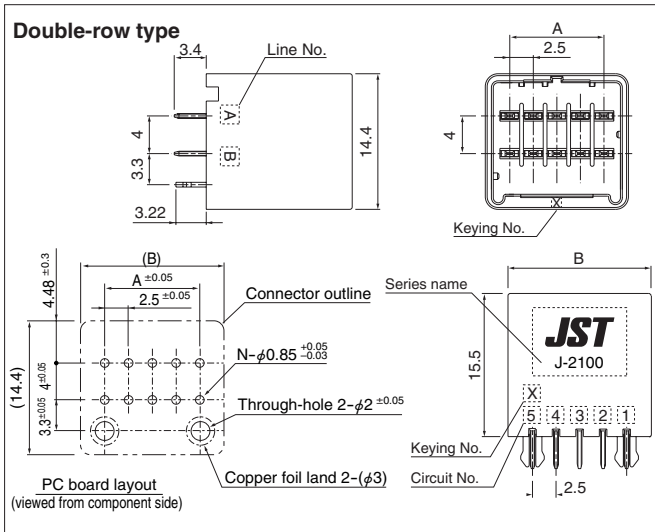
Housing: Glass-filled PBT, UL94V-0, black

Reinforcing metal fixture: Copper alloy, nickel-undercoated, selective gold-plated

**RoHS compliance** This product displays (LF)(AU) on a label.

# J2000 SERIES/J2100

## Header Top entry type (Center locking type)



Circuits	Keying	Model No.	Dimensions (mm)		Q'ty / box
			A	B	
6	X	B06B-J21DK-GGXR	5.0	10.2	252
	Y	B06B-J21DK-GGYR	5.0	10.2	252
8	X	B08B-J21DK-GGXR	7.5	12.7	204
	Y	B08B-J21DK-GGYR	7.5	12.7	204
10	X	B10B-J21DK-GGXR	10.0	15.2	168
	Y	B10B-J21DK-GGYR	10.0	15.2	168
12	X	B12B-J21DK-GGXR	12.5	17.7	144
	Y	B12B-J21DK-GGYR	12.5	17.7	144
16	X	B16B-J21DK-GGXR	17.5	22.7	108
	Y	B16B-J21DK-GGYR	17.5	22.7	108
20	X	B20B-J21DK-GGXR	22.5	27.7	84
	Y	B20B-J21DK-GGYR	22.5	27.7	84

### Material and Finish

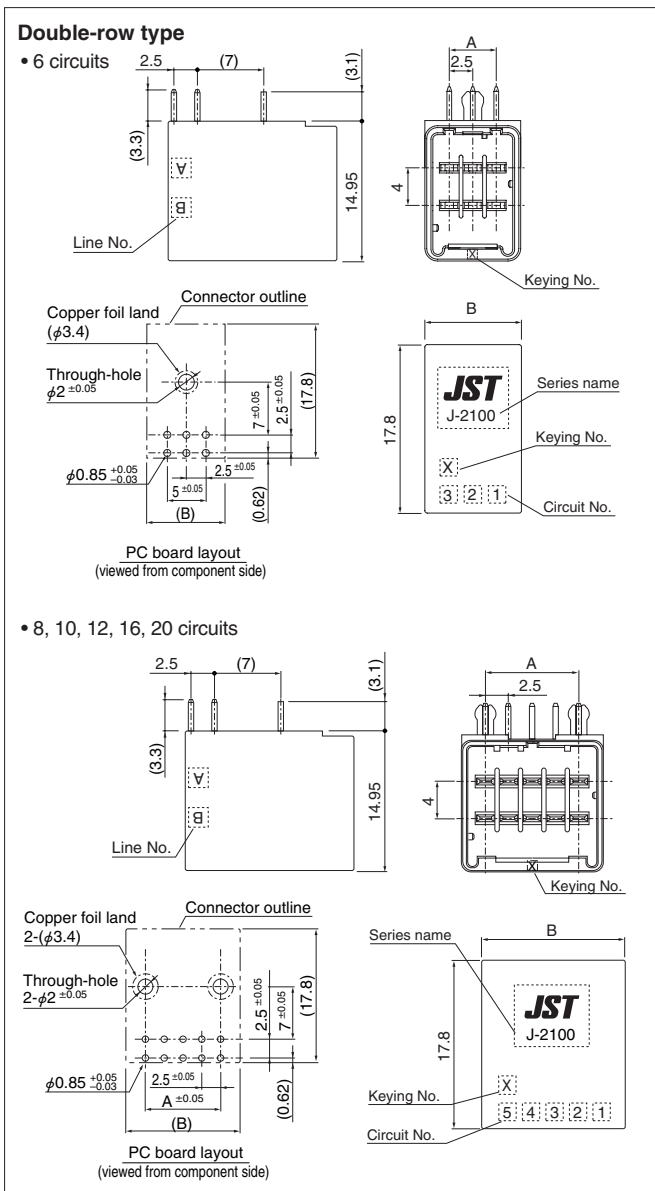
Tab contact: Copper alloy, nickel-undercoated, selective gold-plated

Housing: Glass-filled PBT, UL94V-0, black

Reinforcing metal fixture: Copper alloy, nickel-undercoated, selective gold-plated

**RoHS compliance** This product displays (LF) (AU) on a label.

## Header Side entry type (Center locking type)



Circuits	Keying	Model No.	Dimensions (mm)		Q'ty / box
			A	B	
6	X	S06B-J21DK-GGXR	5.0	10.2	252
	Y	S06B-J21DK-GGYR	5.0	10.2	252
8	X	S08B-J21DK-GGXR	7.5	12.7	204
	Y	S08B-J21DK-GGYR	7.5	12.7	204
10	X	S10B-J21DK-GGXR	10.0	15.2	168
	Y	S10B-J21DK-GGYR	10.0	15.2	168
12	X	S12B-J21DK-GGXR	12.5	17.7	144
	Y	S12B-J21DK-GGYR	12.5	17.7	144
16	X	S16B-J21DK-GGXR	17.5	22.7	108
	Y	S16B-J21DK-GGYR	17.5	22.7	108
20	X	S20B-J21DK-GGXR	22.5	27.7	84
	Y	S20B-J21DK-GGYR	22.5	27.7	84

### Material and Finish

Tab contact: Copper alloy, nickel-undercoated, selective gold-plated

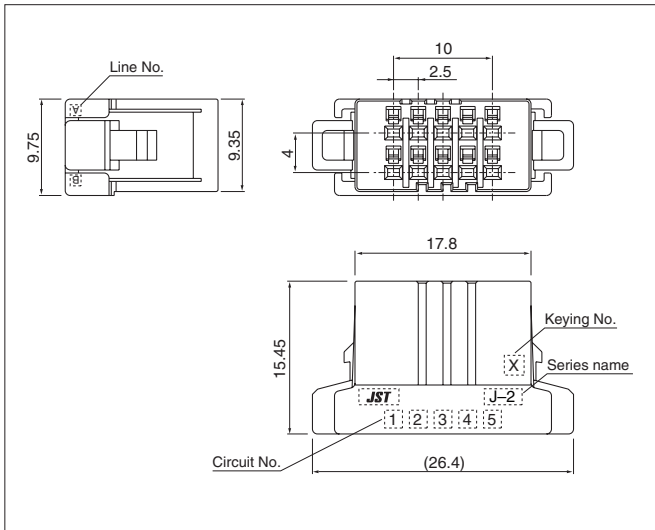
Housing: Glass-filled PBT, UL94V-0, black

Reinforcing metal fixture: Copper alloy, nickel-undercoated, selective gold-plated

**RoHS compliance** This product displays (LF) (AU) on a label.

# J2000 SERIES/J2200

## Receptacle housing (Side locking type)



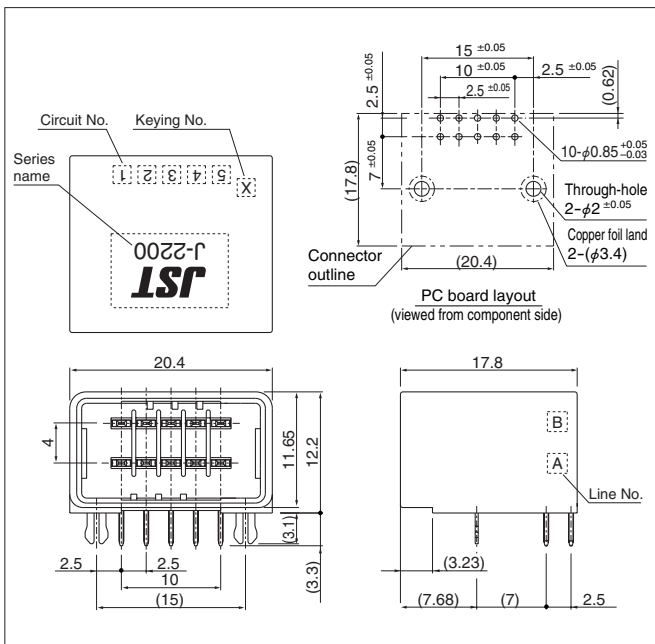
Circuits	Keying	Model No.	Q'ty / bag
10	X	<b>J22DF-10V-KX</b>	250
	Y	<b>J22DF-10V-KY</b>	250

### Material

Glass-filled PBT, UL94V-0, black

### RoHS compliance

## Header Side entry type (Side locking type)



Circuits	Keying	Model No.	Q'ty / box
10	X	<b>S10B-J22DK-GGXR</b>	120
	Y	<b>S10B-J22DK-GGYR</b>	120

### Material and Finish

Tab contact: Copper alloy, nickel-undercoated, selective gold-plated

Housing: Glass-filled PBT, UL94V-0, black

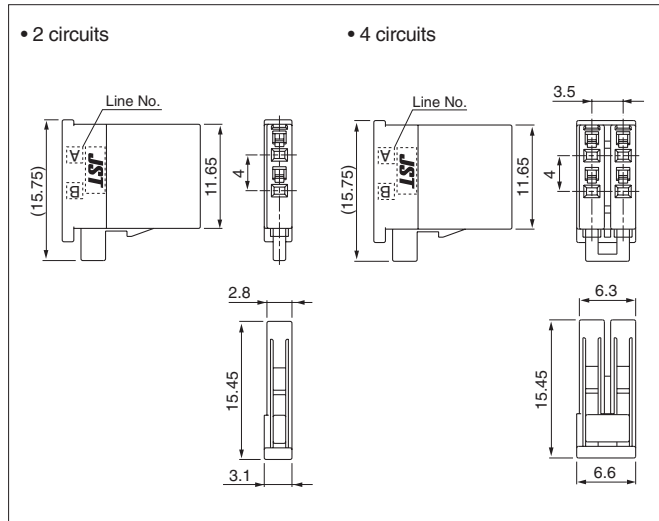
Reinforcing metal fixture: Copper alloy, nickel-undercoated, selective gold-plated

**RoHS compliance** This product displays (LF)(AU) on a label.



# J2000 SERIES/J2500

## Receptacle housing (Module type)

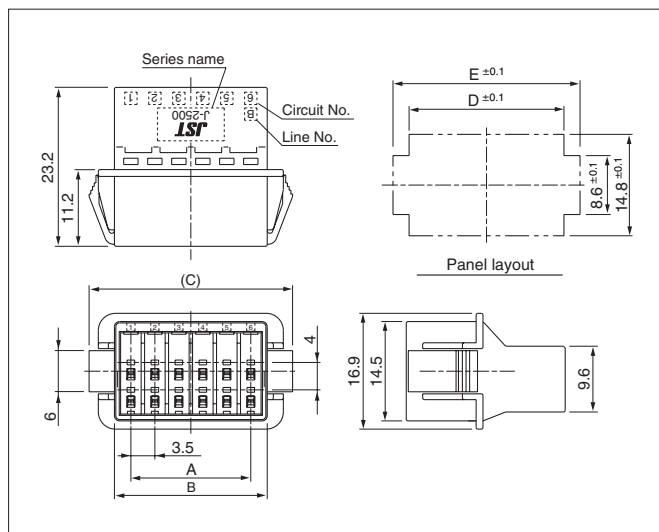


Circuits	Keying	Model No.	Q'ty / bag
2	—	<b>J25MF-02V-K</b>	800
4	—	<b>J25MF-04V-K</b>	400

Material			
Glass-filled PBT, UL94V-0, black			

RoHS compliance

## Tab housing (Panel mounting type)

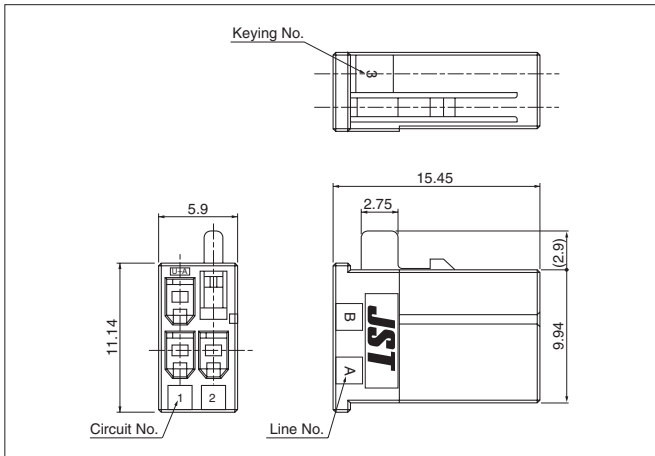


Circuits	Keying	Model No.	Dimensions (mm)					Q'ty / box
			A	B	(C)	D	E	
12	—	<b>J25DPM-12V-K</b>	17.5	22.3	29.7	22.6	27.3	96
20	—	<b>J25DPM-20V-K</b>	31.5	36.3	43.7	36.6	41.3	132

Material							
Glass-filled PBT, UL94V-0, black							

RoHS compliance

## Receptacle housing (Common type for sensor)



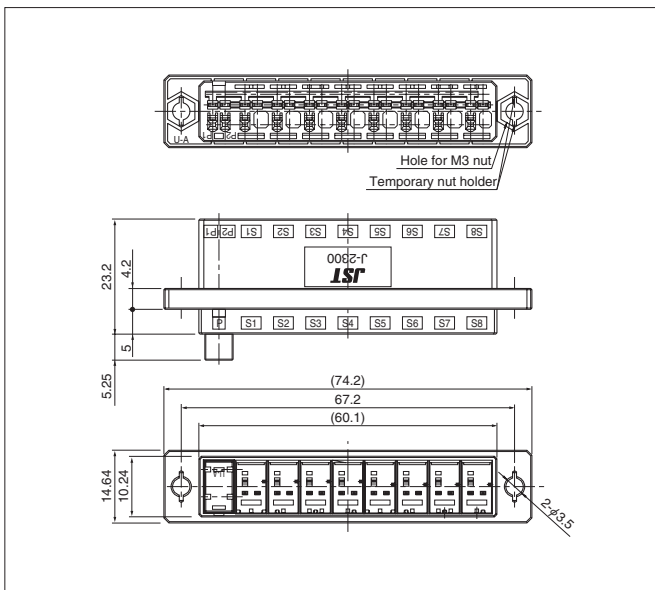
Circuits	Keying	Model No.	Q'ty / box
3	S1	J23CF-03V-KS1	784
	S2	J23CF-03V-KS2	784
	S3	J23CF-03V-KS3	784
	S4	J23CF-03V-KS4	784
	S5	J23CF-03V-KS5	784
	S6	J23CF-03V-KS6	784
	S7	J23CF-03V-KS7	784
	S8	J23CF-03V-KS8	784

### Material

Glass-filled PBT, UL94V-0, black

RoHS compliance

## T&P connector



Circuits	Keying	Model No.	Q'ty / box
Input	24	S1~S8	64
Output	10		

### Material and Finish

Tab contact: Copper alloy, nickel-undercoated, selective gold-plated  
Housing: Glass-filled PBT, UL94V-0, black

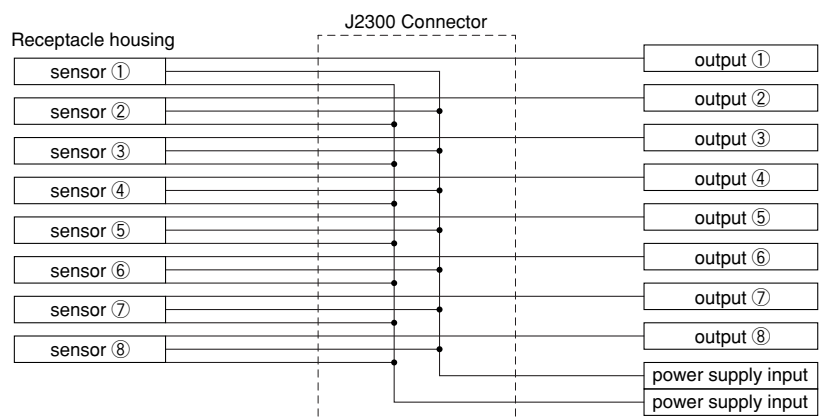
RoHS compliance

### • Current rating

Wire size	Current (A)
#20	6.5
#22	5.5
#24	4.0
#26	3.0
#28	2.0

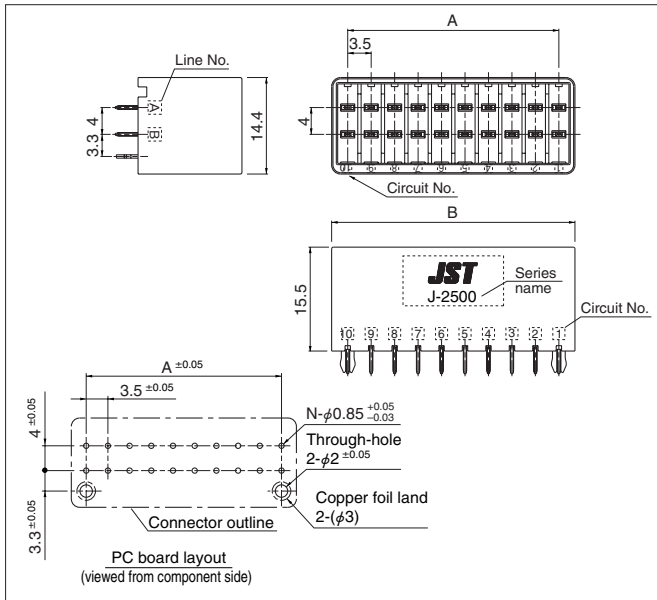
• Voltage rating: 250V AC, DC

### • Circuit composition



# J2000 SERIES/J2500

## Header Top entry type (Module type)



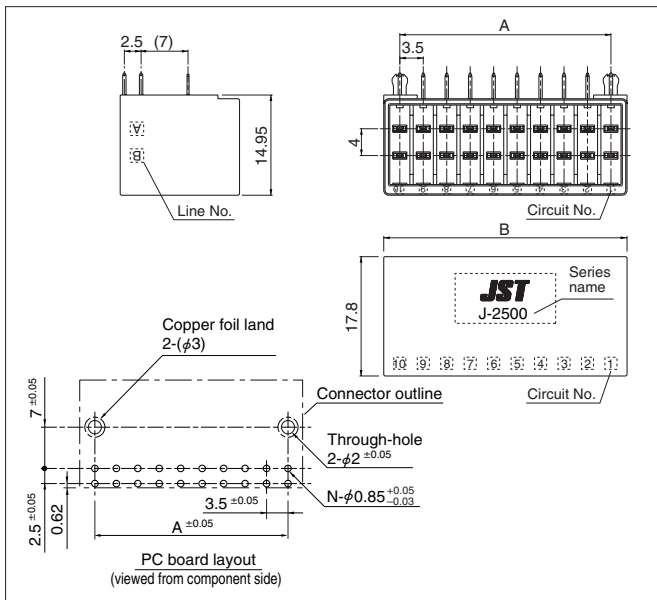
Circuits	Keying	Model No.	Dimensions (mm)		Q'ty / box
			A	B	
12	—	<b>B12B-J25DK-GGR</b>	17.5	22.3	108
20	—	<b>B20B-J25DK-GGR</b>	31.5	36.3	72

### Material and Finish

Tab contact: Copper alloy, nickel-undercoated, selective gold-plated  
Housing: Glass-filled PBT, UL94V-0, black  
Reinforcing metal fixture: Copper alloy, nickel-undercoated, selective gold-plated

**RoHS compliance** This product displays (LF) (AU) on a label.

## Header Side entry type (Module type)



Circuits	Keying	Model No.	Dimensions (mm)		Q'ty / box
			A	B	
12	—	<b>S12B-J25DK-GGR</b>	17.5	22.3	108
20	—	<b>S20B-J25DK-GGR</b>	31.5	36.3	72

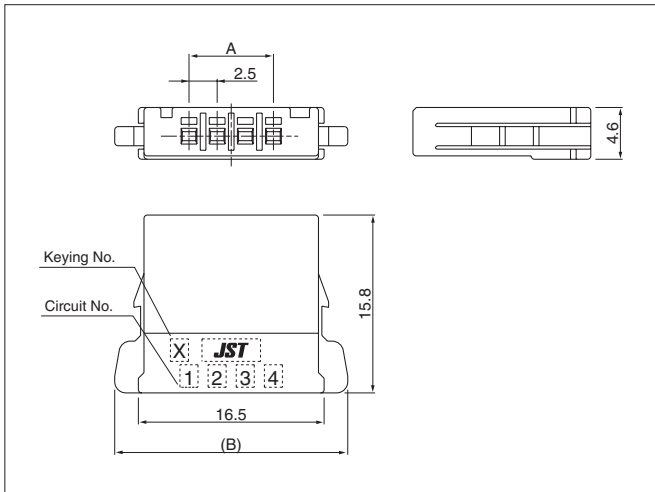
### Material and Finish

Tab contact: Copper alloy, nickel-undercoated, selective gold-plated  
Housing: Glass-filled PBT, UL94V-0, black  
Reinforcing metal fixture: Copper alloy, nickel-undercoated, selective gold-plated

**RoHS compliance** This product displays (LF) (AU) on a label.

# J2000 SERIES/J2800

## Receptacle housing



Circuits	Keying	Model No.	Dimensions (mm)		Q'ty / box
			A	(B)	
4	X	<b>J28SF-04V-KX</b>	7.5	20.7	540
	Y	Under planning	—	—	—

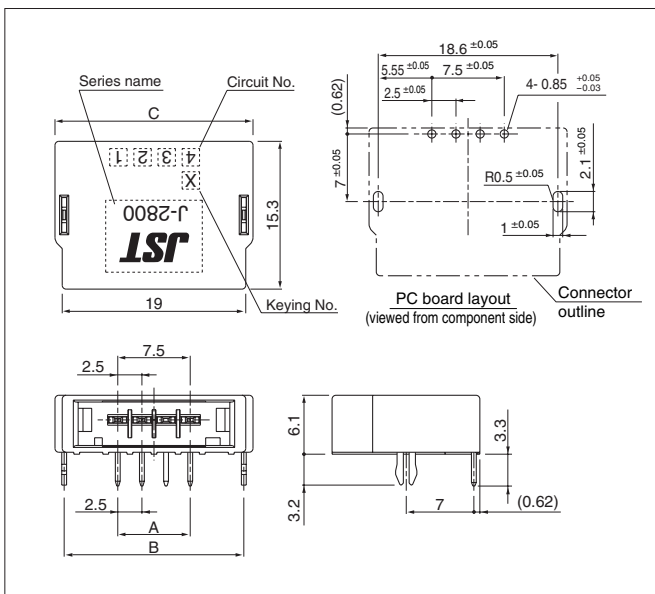
### Material

PBT, UL94V-0, black

### RoHS compliance

Note: Not UL/CSA approved.

## Header Side entry type (Side locking type)



Circuits	Keying	Model No.	Dimensions (mm)			Q'ty / box
			A	B	C	
4	X	<b>S04B-J28SK-GGXQ1R</b>	7.5	18.6	20.5	280
	Y	Under planning	—	—	—	—

### Material and Finish

Tab contact: Copper alloy, nickel-undercoated, selective gold-plated

Housing: Glass-filled PBT, UL94V-0, black

Reinforcing metal fixture: Copper alloy, nickel-undercoated, selective gold-plated

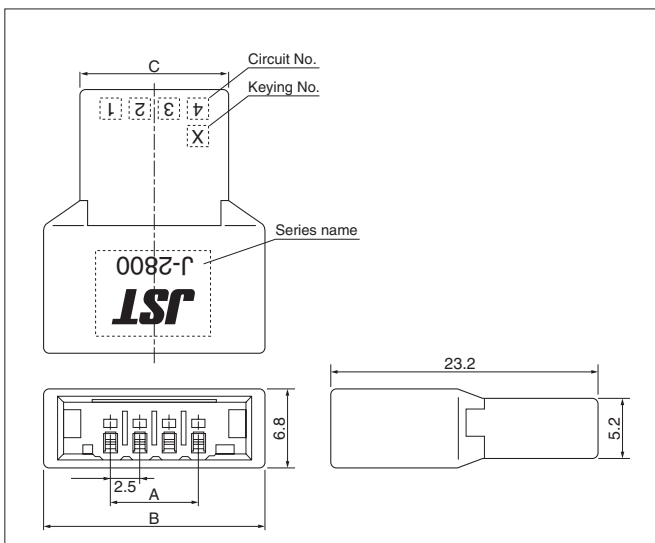
### RoHS compliance

This product displays (LF) on a label.

Note: 1. 3rd and 4th pins are sequential pins.

2. Not UL/CSA approved.

## Tab housing (Free hanging type)



Circuits	Keying	Model No.	Dimensions (mm)			Q'ty / box
			A	B	C	
4	X	<b>J28SFM-04V-KX</b>	7.5	19	12.7	—
	Y	Under planning	7.5	19	12.7	—

### Material

PBT, UL94V-0, black

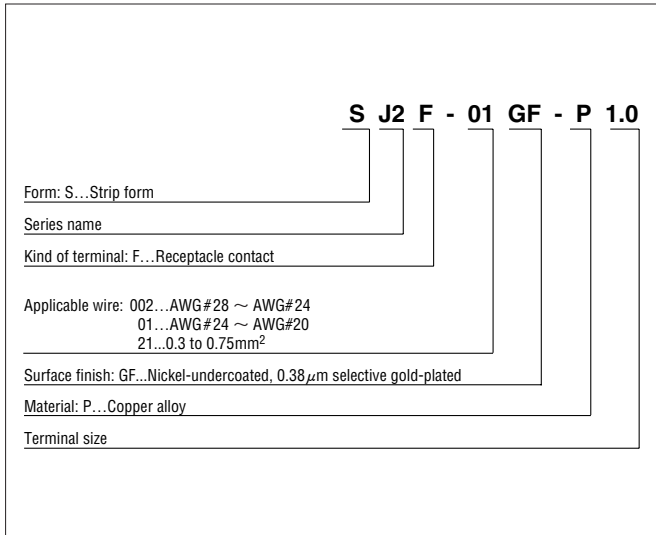
### RoHS compliance

Note: Not UL approved.

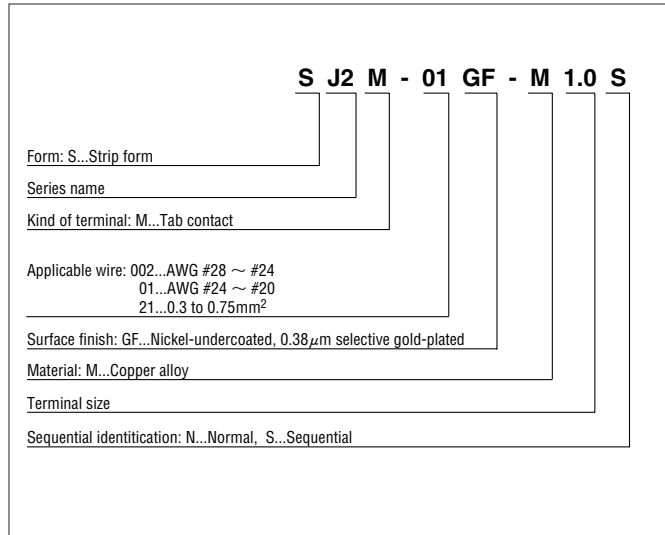
# JFA CONNECTOR/2000 SERIES

## Model number identification

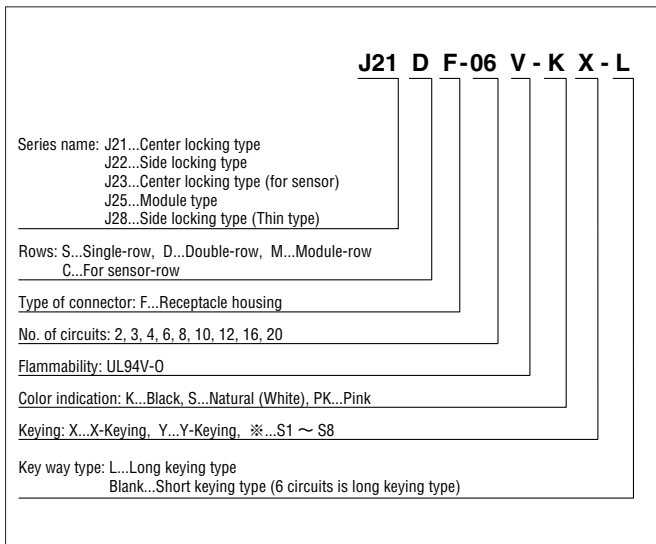
### Receptacle contact



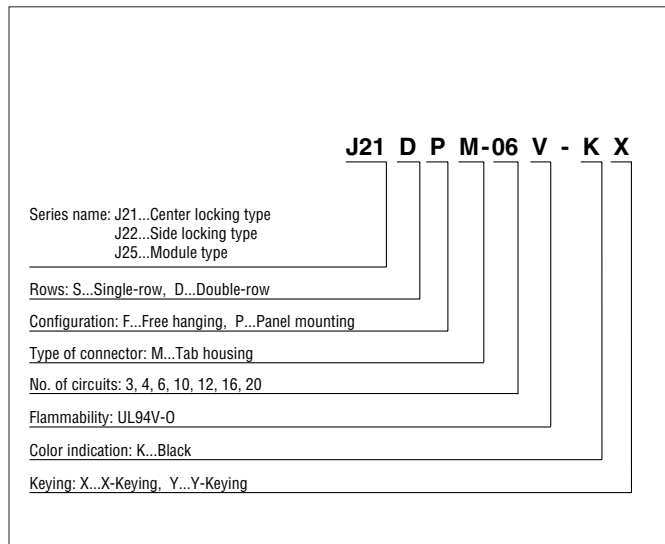
### Tab contact



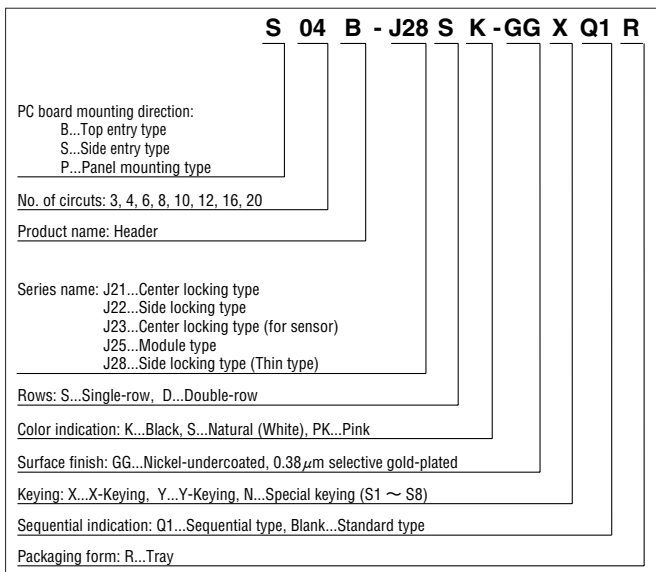
### Receptacle housing

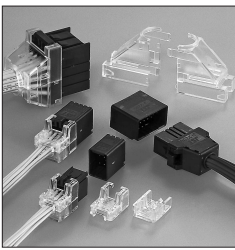


### Tab housing

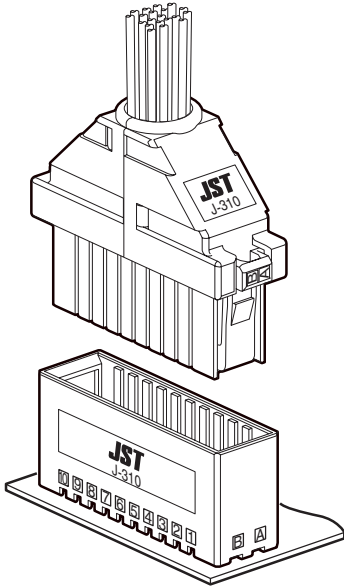


### Header





# JFA CONNECTOR/PROTECTOR

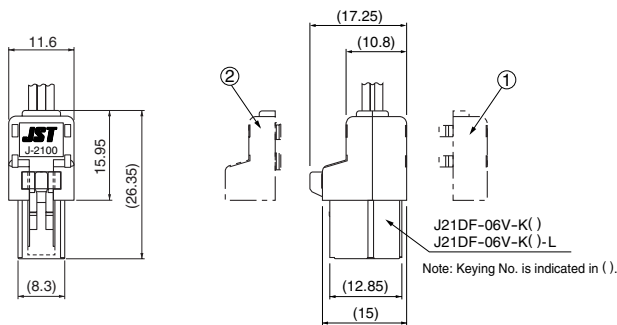


Note: Protector is not UL/CSA/TÜV approved

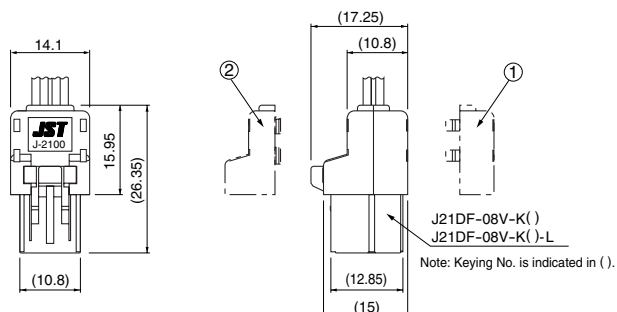
**When applying a current to the connector, the protector prevents foreign substances being inserted into mating part from the wiring side. However it has no function of holding the wire securely.**

## J2000 Series

### •J2100 series for 6 circuits



### •J2100 series for 8 circuits



No.	Model No.	Color
①	<b>J21PF-06SCA</b>	Transparent
②	<b>J21PF-06SCB</b>	Transparent

#### Material

Polycarbonate

#### RoHS compliance

No.	Model No.	Color
①	<b>J21PF-08SCA</b>	Transparent
②	<b>J21PF-08SCB</b>	Transparent

#### Material

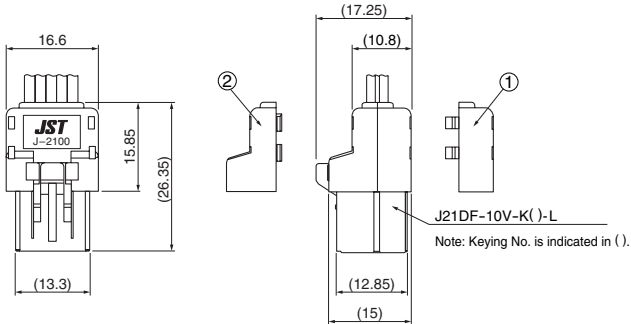
Polycarbonate

#### RoHS compliance

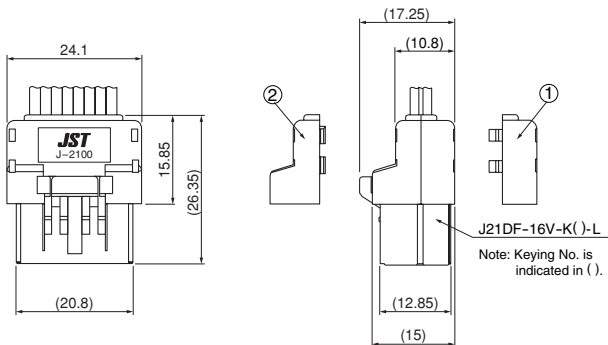
# JFA CONNECTOR/PROTECTOR

## J2000 Series

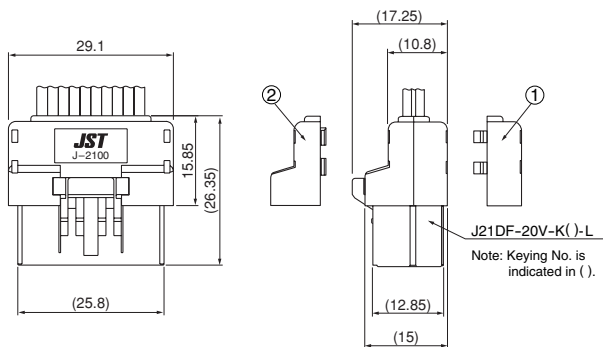
### •J2100 series for 10 circuits



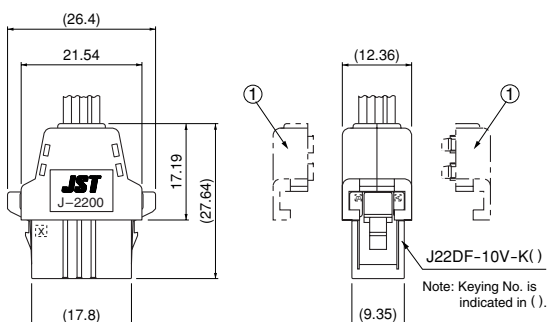
### •J2100 series for 16 circuits



### •J2100 series for 20 circuits



### •J2200 series for 10 circuits



No.	Model No.	Color
①	<b>J21PF-10SCA</b>	Transparent
②	<b>J21PF-10SCB</b>	Transparent
Material		
Polycarbonate		

**RoHS compliance**

No.	Model No.	Color
①	<b>J21PF-16SCA</b>	Transparent
②	<b>J21PF-16SCB</b>	Transparent
Material		
Polycarbonate		

**RoHS compliance**

No.	Model No.	Color
①	<b>J21PF-20SCA</b>	Transparent
②	<b>J21PF-20SCB</b>	Transparent
Material		
Polycarbonate		

**RoHS compliance**

No.	Model No.	Color
①	<b>J22PF-10VK</b>	Black
Material		
Glass-filled PBT		

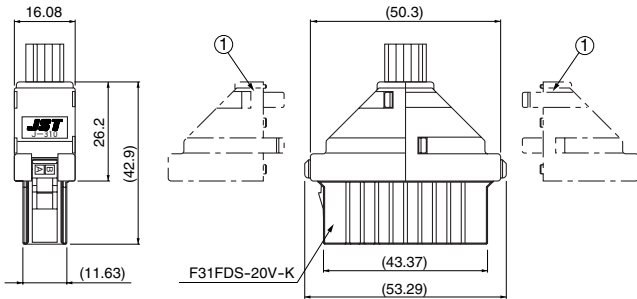
**RoHS compliance**

Note: Two protectors are used.

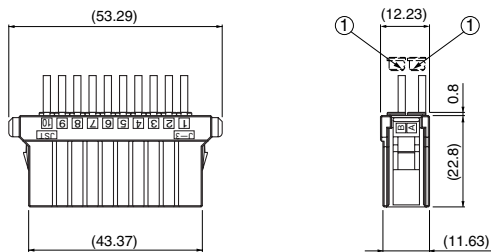
# JFA CONNECTOR/PROTECTOR

## J300 Series

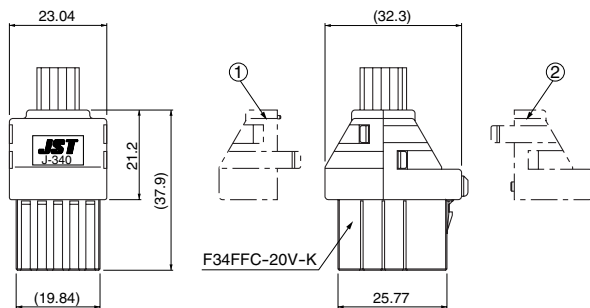
### •J310D series for 20 circuits



### •J310D series / Embedding-type protector for 8, 10 circuits

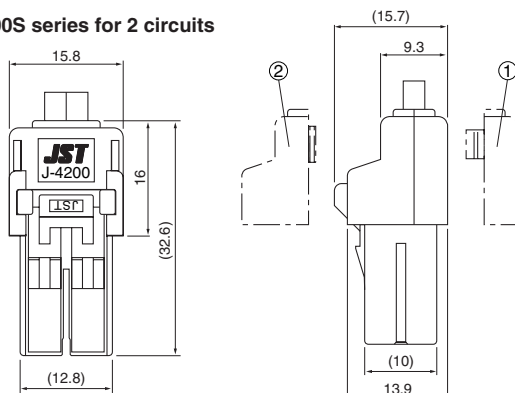


### •J340F series for 20 circuits



## J4000 Series

### •J4200S series for 2 circuits



No.	Model No.	Color
①	<b>F31PFD-20VK</b>	Black
①	<b>F31PFD-20SC</b>	Transparent

#### Material

Black: Glass-filled PBT  
Transparent: Polycarbonate

#### RoHS compliance

Note: Two protectors of the same color are used.

No.	Model No.	Color
①	<b>F31PFS-10KU</b>	Black

#### Material

Glass-filled PBT

#### RoHS compliance

Note: This protector is cut and used for each number of circuits.

No.	Model No.	Color
①	<b>F34PFF-20VKA</b>	Black
	<b>F34PFF-20SCA</b>	Transparent
②	<b>F34PFF-20VKB</b>	Black
	<b>F34PFF-20SCB</b>	Transparent

#### Material

Black: Glass-filled PBT  
Transparent: Polycarbonate

#### RoHS compliance

Note: Both 1 and 2 protectors in the same color are used.

No.	Model No.	Color
①	<b>J42PF-02SCA</b>	Transparent
②	<b>J42PF-02SCB</b>	Transparent

#### Material

Polycarbonate

#### RoHS compliance

(Patent pending)

When applying a current to the connector, the protector prevents foreign substances being inserted into mating part from the wiring side. However it has no function of holding the wire securely.