

HVGW CONNECTOR

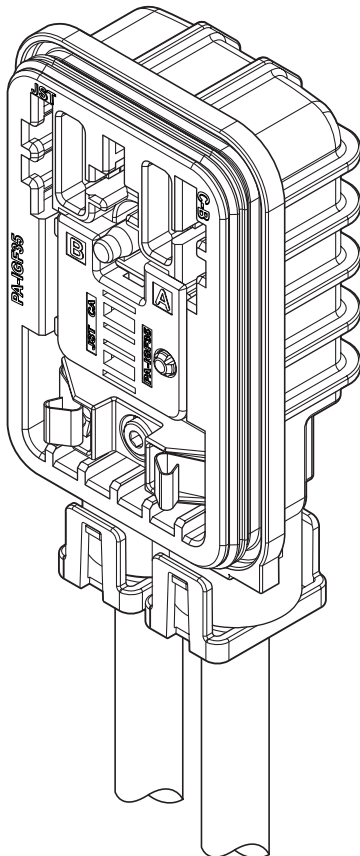
High Current, High Voltage, Shielded, Sealed



Features

- 2 circuits: 14.5 terminals
- Sealed, Shielded, High Current, High Voltage Connector
- Over 98% shielding coverage
- HVIL (optional) feature available
- Bolt driven mating design

2 Circuits 14.5 Sealed, Shielded Connector System. Designed for high current, high voltage applications in an Automotive environment.

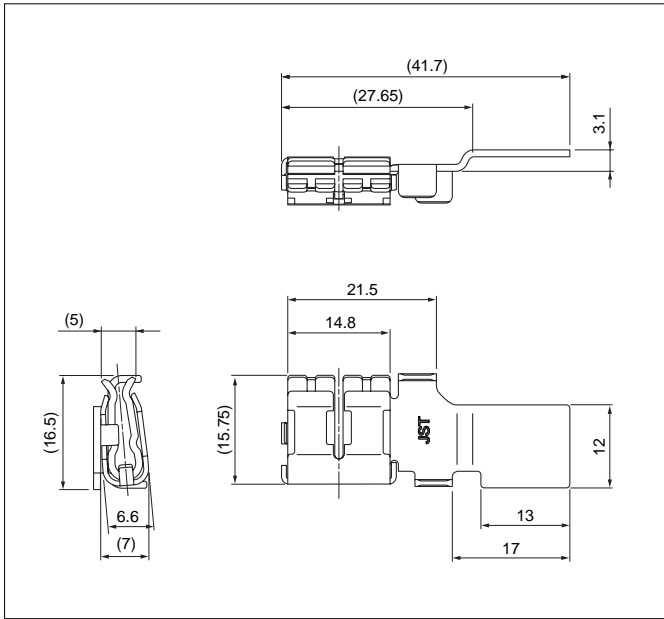


Specifications

- Current rating: 135A DC continuous
- Voltage rating: 300V DC continuous
- Temperature range: -40°C to +125°C
- Insulation resistance: 100MΩ min.
- Withstanding voltage: 1,600V AC/minute
- Applicable wire: 35mm² Champlain shielded battery cable
Champlain P/N: 15-07603-001 or equivalent

* Compliant with ELV/RoHS.
* Contact JST for details.

Female terminal

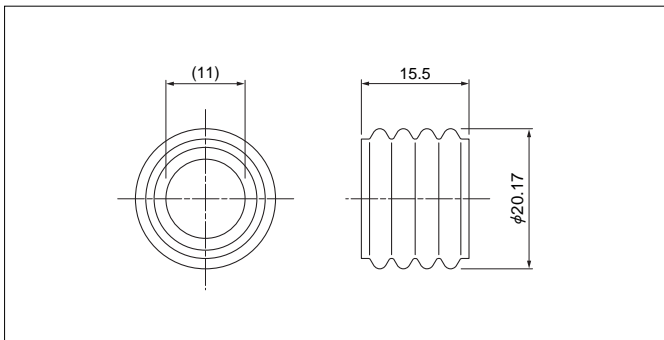


Model No.	Applicable wire range		Q'ty/box
	Conductor (mm ²)	Insulation O.D. (mm)	
AHVG-350B-C1500	35	12.44	200

Material and Finish

Core terminal; Copper alloy, silver-plated (anti-tarnish treatment)
Reinforcement; Stainless steel

Cable seal

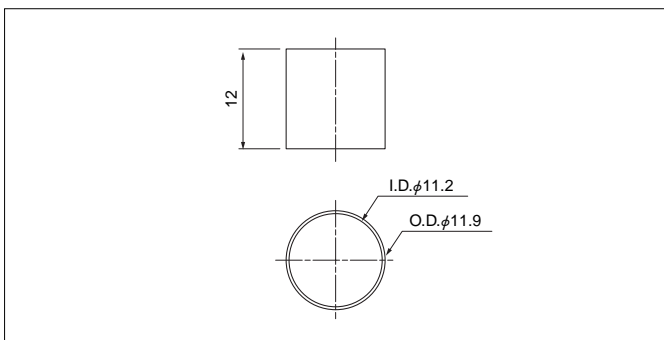


Model No.	Applicable wire range		Q'ty/box
	Conductor (mm ²)	Insulation O.D. (mm)	
HVGW-WS-AM	35	12.44	1,500

Material

Silicone, green

Inner ferrule

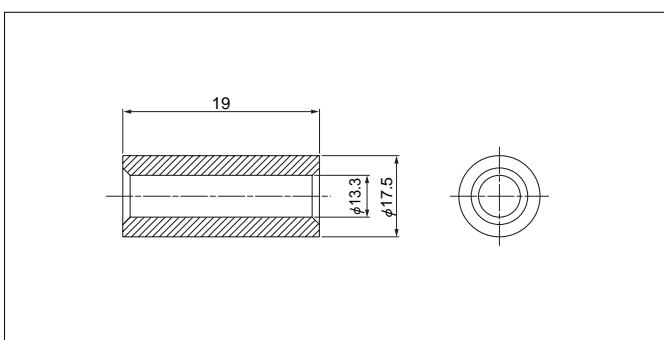


Model No.	Applicable wire range		Q'ty/box
	Conductor (mm ²)	Insulation O.D. (mm)	
HVGWF-120T-A180	35	10.41	100

Material and Finish

Copper alloy, tin-plated

Outer ferrule



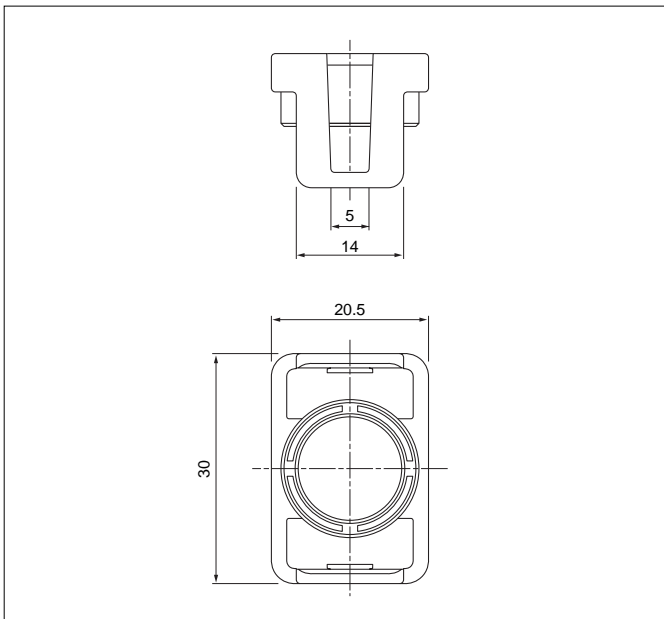
Model No.	Applicable wire range		Q'ty/box
	Conductor (mm ²)	Insulation O.D. (mm)	
P-70	35	12.44	50

Material and Finish

Copper, tin-plated

HVGW CONNECTOR

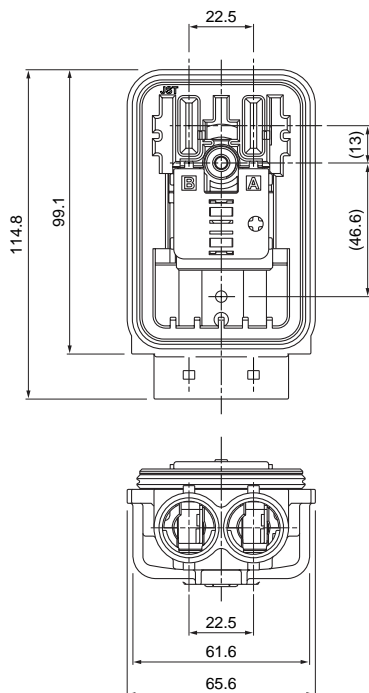
Back cover



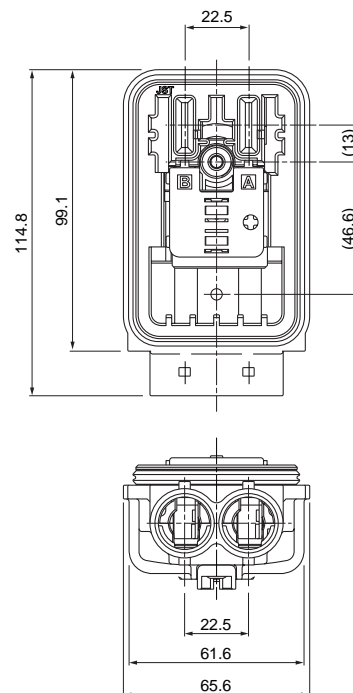
Model No.	Q'ty/box
HVGW-SC-AK	1,500
Material	
Glass-filled PA, black	

Female connector, Sub assembly

• HVGWPB-G02-AD



• HVGWPB-P02-AD (HVIL attachment feature)

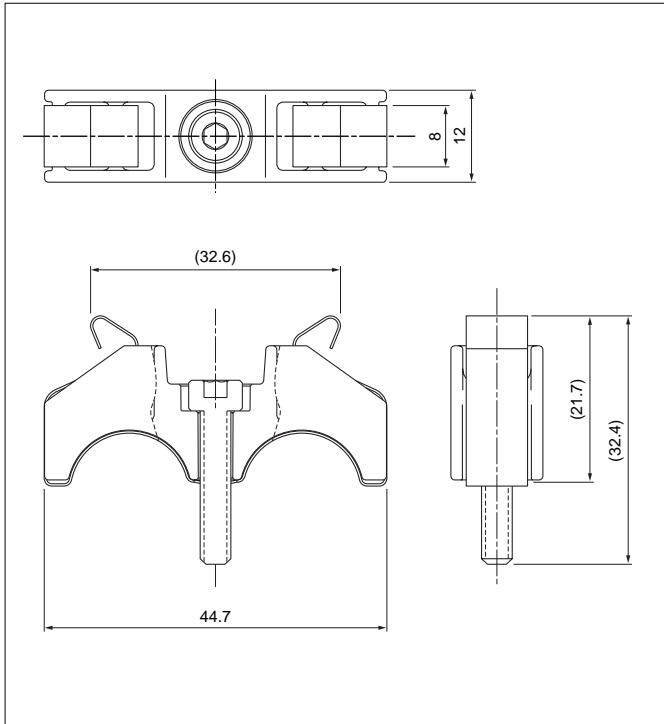


Circuits	Model No.	Q'ty/box	HVIL attachment feature
2	HVGWB-G02-AD	56	No
	HVGWB-P02-AD	56	Yes

Material and Finish

Housing: Glass-filled PA, black
 Shield cover: Aluminium alloy
 M4 bolt: Steel, zinc-plated
 M6 bolt: Steel, zinc-plated
 O-ring: Silicon, red
 Retaining clip: Steel, black
 Ring seal: Silicone, green
 TPA: Glass-filled PA, natural (white)
 HVIL attachment: PBT, black

Yoke assembly



Model No.	Q'ty/box
HVGWB-Y-AS	360
Material	
Yoke block: Zinc alloy Yoke spring: Copper alloy, tin-plated M4 bolt: Steel, zinc-plated	