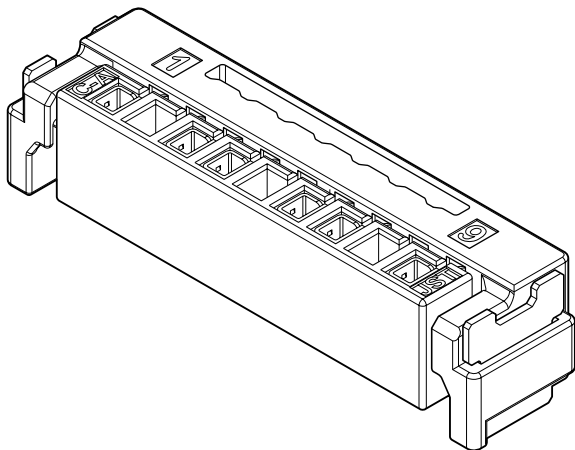


HVD CONNECTOR

Board-to-board



0.64 unsealed alignment-free, low profile surface mount connector for automobile applications.



Features

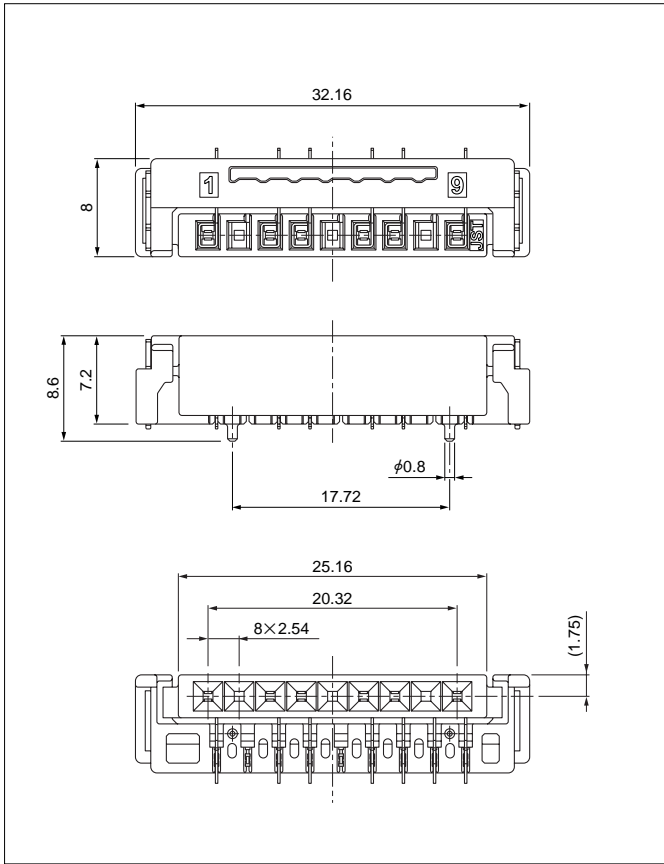
- Low profile Surface mount Board-to-board Connectors, Compliant with Automotive Performance Specifications
- Accepts 0.64 Male Blade
- Misalignment absorption feature
- Variations
Up to 9 positions in any configuration
- Lead Free Reflow capable

Specifications

- Current rating: 4.5A DC max.
- Voltage rating: 14V DC
- Temperature range: -40°C to +125°C
(including temperature rise in applying electrical current)
- Contact resistance: Initial value/15mΩ max.
After environmental testing/15mΩ max.
- Insulation resistance: 100MΩ min.

* Compliant with ELV/RoHS.
* Contact JST for details.

Connector

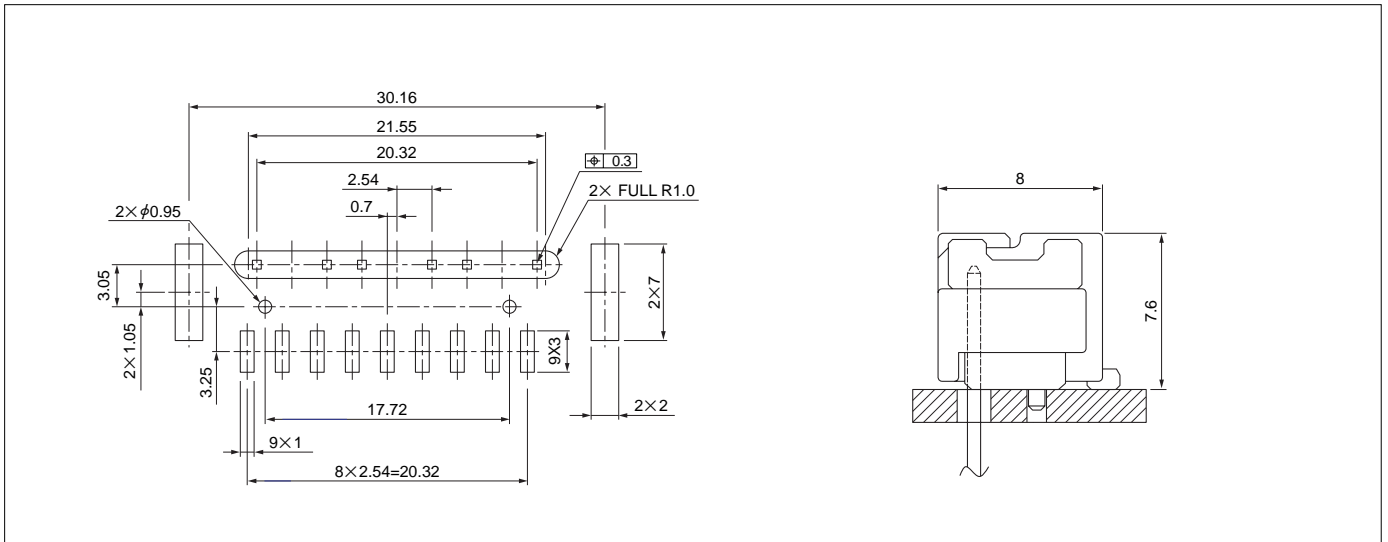


Circuits	Model No.	Q'ty/reel	Housing Color
6	09HVD6B-EMGF-NR	900	Brown

Material and Finish

Housing: PPS
 Terminal: Copper alloy, tin-plated, selective gold-plated
 Reinforcement: Brass, tin-plated

PC board layout, Assembly layout



- Note: 1. Tolerances are non-cumulative: $\pm 0.05\text{mm}$ for all centers.
 2. Hole dimensions differ according to the type of PC board and piercing method.
 The dimensions above should serve as guideline. Contact JST for details.