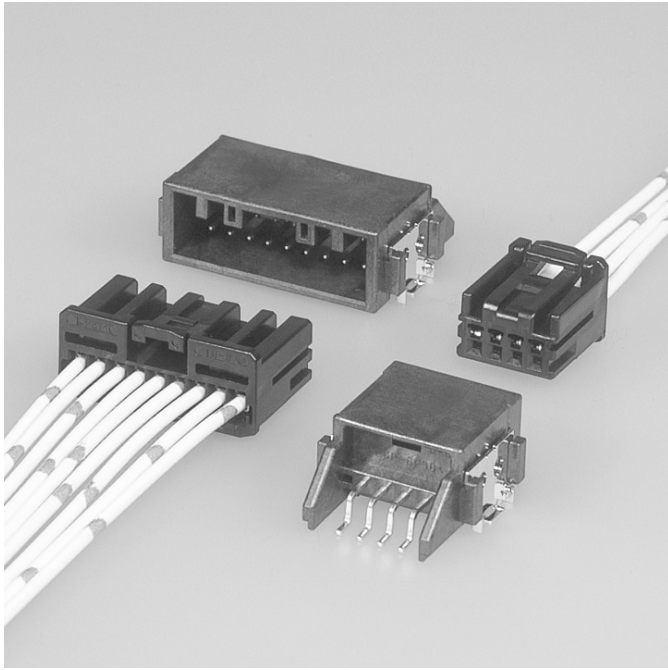


HCH CONNECTOR



2.54mm pitch, 0.64 unsealed connector for automotive corresponding to the surface mounting.

Features

●Miniaturization

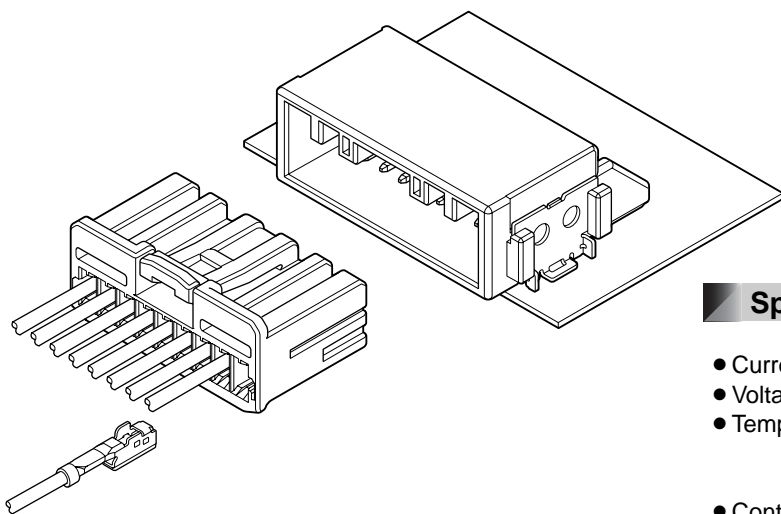
Using the short length female terminal, the miniaturization is realized.

●Surface mounting

Corresponding to the surface mounting (lead-free), mounting workability is improved.

●Reliability

High reliability ensures by using proven female terminal in the automotive electrical equipment.

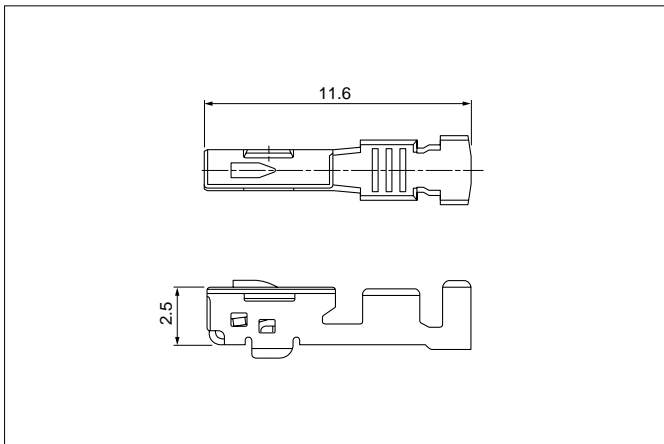


Specifications

- Current rating: 5A AC, DC (0.5mm², Single circuit)
- Voltage rating: 50V AC, DC
- Temperature range: -40°C to +120°C
(including temperature rise in applying electrical current)
- Contact resistance: Initial value/10mΩ max.
After environmental testing/20mΩ max.
- Applicable wire: AVSS
0.3mm² to 0.5mm²

- * Compliant with ELV/RoHS.
- * Contact JST for details.

Female terminal

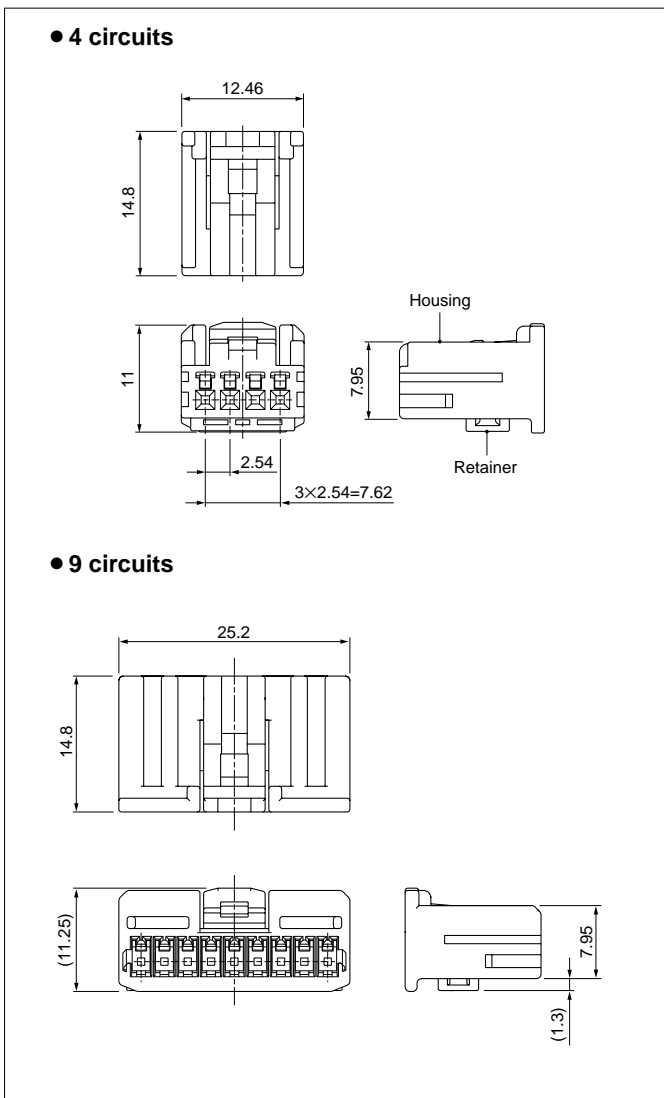


Model No.	Applicable wire range		Q'ty/reel
	Conductor (mm ²)	Insulation O.D. (mm)	
SHCM-A03T-P025	0.3 to 0.5	1.4 to 1.8	5,000

Material and Finish

Copper alloy, tin-plated (reflow treatment)

Female connector



Circuits	Model No.	Q'ty/box
4	HCMPB-04-K	600
9	HCHFB-09-KE	300

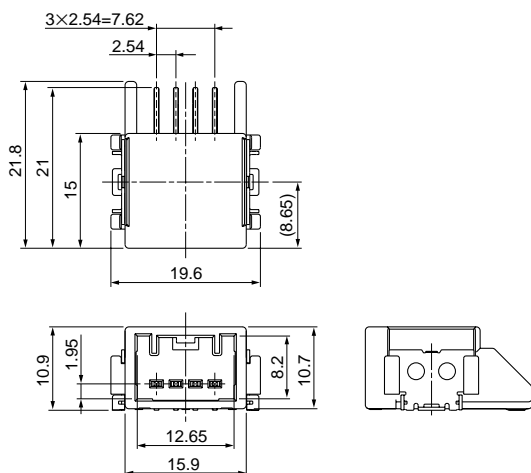
Material

Housing: PBT, black
Retainer: PBT, blue

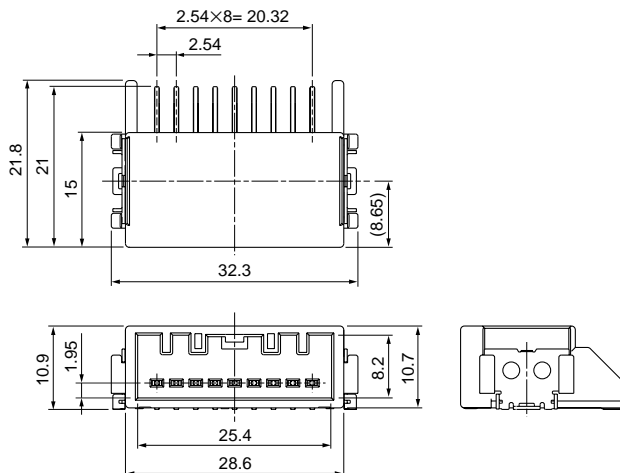
HCH CONNECTOR

Male connector

● 4 circuits



● 9 circuits



Circuits	Model No.	Q'ty/reel
4	SM04B-HCHK-TB	220
9	SM09B-HCHK-TB	220

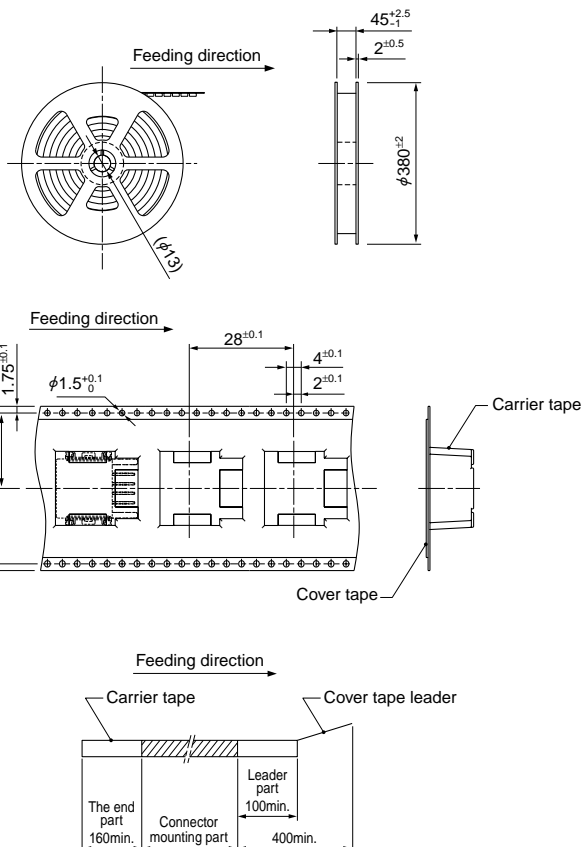
Material and Finish

Housing: Glass-filled LCP, black
 Terminal: Brass, nickel-undercoated, tin-plated
 Reinforcing tab: Brass, nickel-undercoated, tin-plated

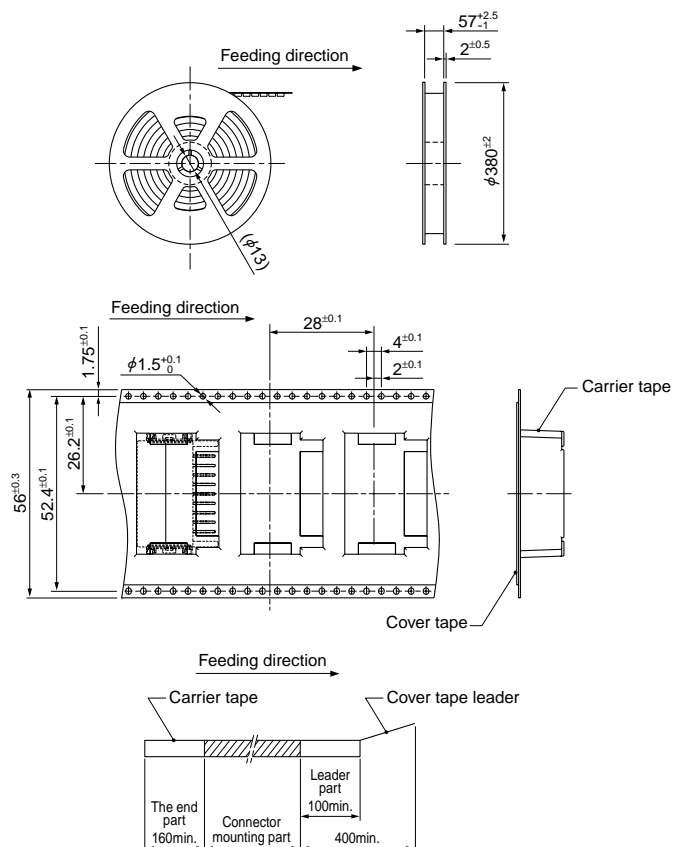
Note: This product displays (LF)(SN) on a label.

Taping Specifications

● 4 circuits

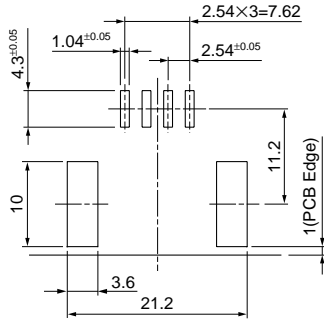


● 9 circuits

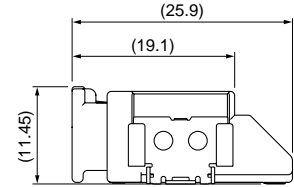
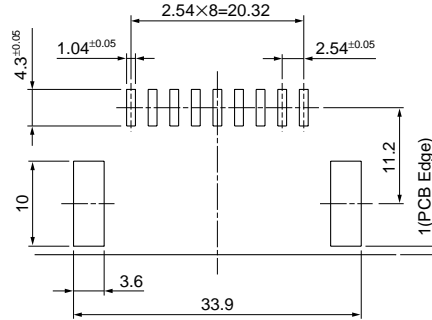


PC board layout, Assembly layout

● 4 circuits



● 9 circuits



Note: 1. Tolerances are non-cumulative: $\pm 0.05\text{mm}$ for all centers.
 2. The dimensions above should serve as guideline. Contact JST for details.

Crimping machine, Applicator

Strip terminal	Crimping machine	Crimp applicator MKS-L	
		Dies	Crimp applicator with dies
SHCM-A03T-P025	AP-K2N	MK/SHCM-A03-025	APLMK SHCM-A03-025

Note: When crimping operation is conducted using an applicator and die set other than the above, JST cannot guarantee the performance of the terminal.