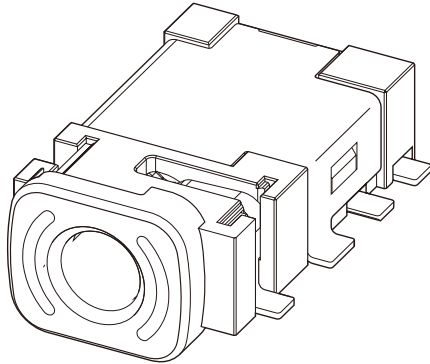


EP CONNECTOR



Interface type



In place of the popular plug of 3.5mm in diameter now, this EP connector is a connector for the plug of 2.5mm in diameter that is expected to spread in near future.

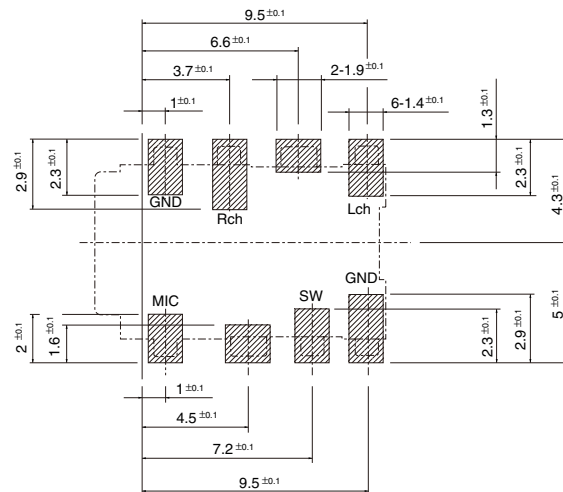
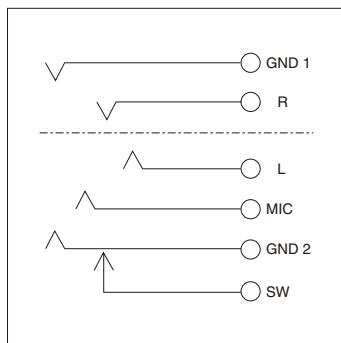
- **Connector for 4-circuit plug**
This EP connector is a 4-circuit connector that added the mike signal to the usual 3-circuit earphone connector (R/Right, L/Left, GND/Ground).
- **Resin of resisting heat suitable for surface mounting**
Adopting the resin of resisting heat for the housing, the reflow soldering has become possible.

Specifications

- Current rating: 2A AC, DC
- Voltage rating: 30V AC, DC
- Temperature range: -30°C to +85°C
(including temperature rise in applying electrical current)
- Contact resistance: Ground contact/20mΩ max.
Other contacts/50mΩ max.
- Insulation resistance: 1,000Ω min.
- Withstanding voltage: 400V AC/minute
- * Compliant with RoHS.
- * Refer to "General Instruction and Notice when using Terminals and Connectors" at the end of this catalog.
- * Contact JST for details.

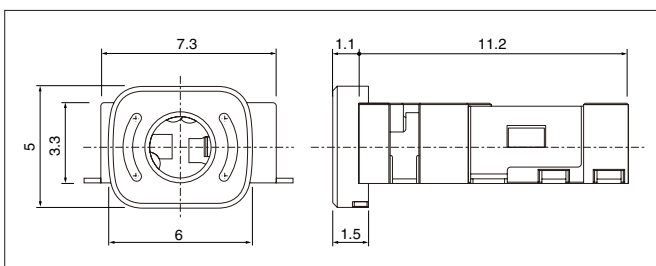
PC board layout (viewed from component side)

Circuit diagram



Note: 1. Tolerances are non-cumulative: $\pm 0.05\text{mm}$ for all centers.
2. The dimensions above should serve as a guideline.
Contact JST for details.

Connector



Circuits	Model No.	Q'ty / reel
4	2.5EP-5.0 NMP	1,200

RoHS compliance This product displays (LF)(SN) on a label.