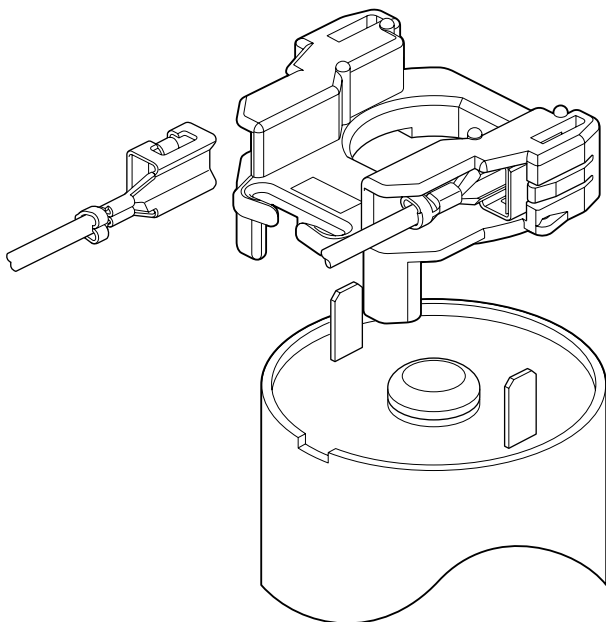




This is a connector for motor connection developed for the electric door mirror unit for automotive.



Features

● Compact, low profile design

Side mating type, and the motor terminal to be able to mate from both sides.

This connector achieves miniaturization and low profile.

● Heat resisting creep

An excellent material in the high temperature heat creep characteristic is adopted in consideration of heat from motor.

● Terminal construction

It is designed to prevent the deformation of the contact area when processing wire harness by protecting the contact area of each terminal with a box.

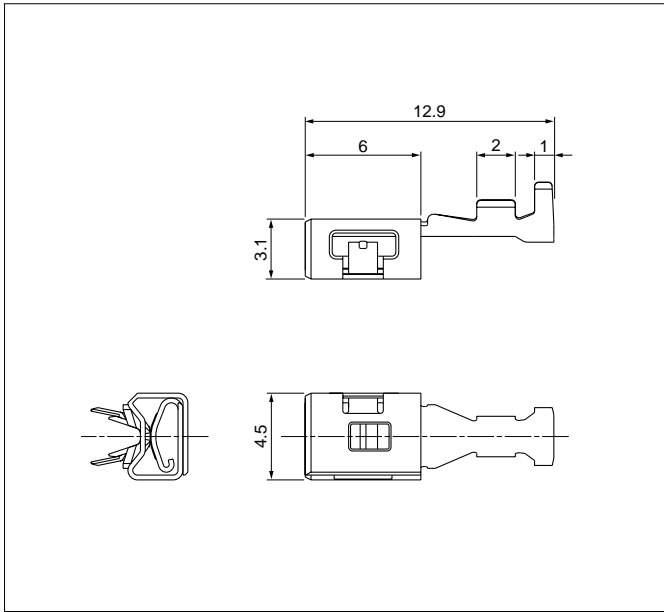
Specifications

- Current rating: 3A AC, DC (Single circuit)
- Voltage rating: 16V AC, DC
- Temperature range: -40°C to +80°C
(including temperature rise in applying electrical current)
- Contact resistance: Initial value/8mΩ max.
After environmental testing/16mΩ max.
- Insulation resistance: 100MΩ min.
- Withstanding voltage: 1,000V AC/minute
- Applicable wire: AVSS
0.3mm²

* Compliant with ELV/RoHS.

* Contact JST for details.

Contact

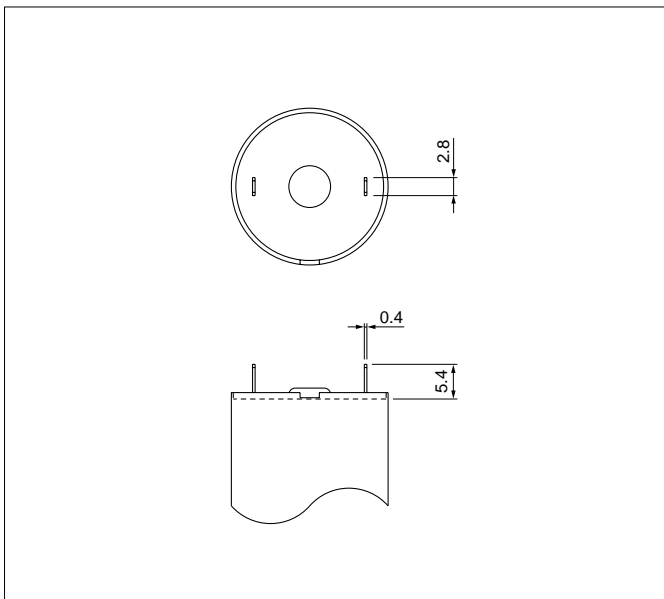


Model No.	Applicable wire range		Q'ty/reel
	Conductor (mm ²)	Insulation O.D. (mm)	
SBIC-01T-P2.8	0.3	1.4	1,500

Material and Finish

Copper alloy, tin-plated (reflow treatment)

Motor terminal size



Note: The mating motor terminal size of this connector is shown above.
The dimensions above should serve as guideline. Contact JST for details.

Crimping machine, Applicator

Contact	Crimping machine	Crimp applicator MKS-L	
		Dies	Crimp applicator with dies
SBIC-01T-P2.8	AP-K2N	MK/SBIC-01-28	APLMK SBIC01-28

Note: When crimping operation is conducted using an applicator and die set other than the above, JST cannot guarantee the performance of the terminal.