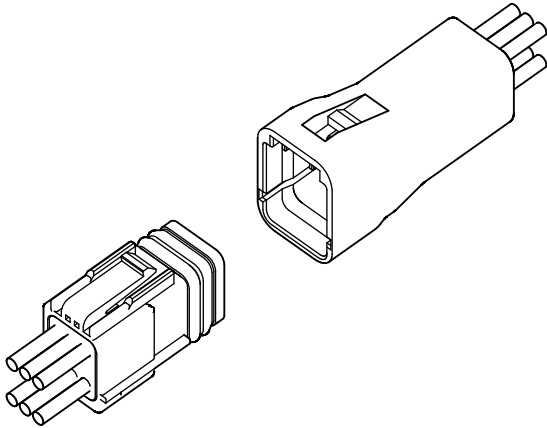


# ZWP CONNECTOR

1.5 mm pitch/ Wire-to-wire connector (Waterproof type)



This is the waterproof type 1.5 mm pitch wire-to-wire connector incorporating the inner lock structure.

- Inner lock structure
- Waterproof performance  
Grade 7 of ingress protection of JIS C 0920 (IPX7 of IEC 60529)
- Compact design

## ■ Specifications

- Current rating: 2 A AC/DC (AWG #24)
  - Voltage rating: 50 V AC/DC
  - Temperature range: -25°C to +85°C  
(including temperature rise in applying electrical current)
  - Contact resistance:  
Initial value/ 10 mΩ max.  
After environmental tests/ 20 mΩ max.
  - Insulation resistance: 500 MΩ min.
  - Withstanding voltage: 500 VAC/minute
  - Applicable wire: Insulated wire of annealed copper stranded conductors with tin plating
  - Applicable wire range:  
Conductor size/ AWG #28 to #24  
Insulation O.D/  $\phi$  0.9 to  $\phi$  1.2
  - Waterproof performance:  
Grade 7 of ingress protection of JIS C 0920 (IPX7 of IEC 60529)
- \* In using the products, refer to "Handling Precaution for Terminal and Connector" described on our website (Technical documents of Product information page).
- \* RoHS2 compliance
- \* Dimensional unit: mm
- \* Contact JST for details.

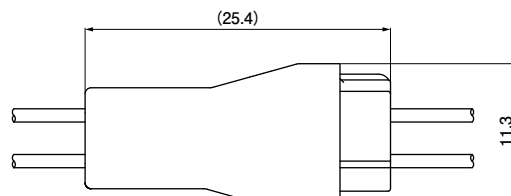
# ZWP CONNECTOR

## Assembly layout

<2, 3 circuits>

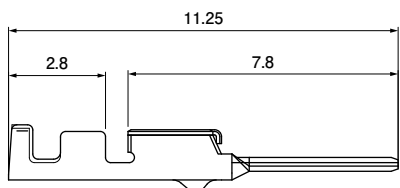
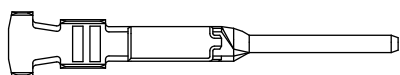


<4, 5, 6, 8 circuits>

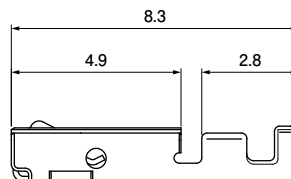
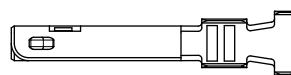


## Contact

### Tab contact



### Receptacle contact



	Model No.	Applicable wire range		Q'ty/reel
		Conductor size AWG# (mm <sup>2</sup> )	Insulation O.D. (mm)	
Tab contact	SZWPT-002T-C0.4	28 to 24 (0.08 to 0.21)	0.9 to 1.2	15,000
Receptacle contact	SZWPR-002T-C0.4			

### Material and Finish

Copper alloy, tin-plated

RoHS2 compliance

### Crimping machine

Contact	Crimping machine	Applicator	Crimp applicator with dies
SZWPT-002T-C0.4	AP-K2N	MKS-L-10	APLMK SZWPR/T002-04
SZWPR-002T-C0.4			

Note: Contact JST for fully automatic crimping applicator.

# ZWP CONNECTOR

## Tab assembly (for tab contact)

No. of circuits	Model No.	Shape and Dimensions	Q'ty/box
2	02T-ZWPV-KNN		400
3	03T-ZWPV-KNN		350
4	04T-ZWPV-W-KNN		300
5	05T-ZWPV-W-KNN		250
6	06T-ZWPV-W-KNN		250
8	08T-ZWPV-W-KNN		200

### Material and Finish

Tab housing: PBT, UL94V-0, black  
 Seal rubber plate: Silicone rubber, brown

RoHS2 compliance

# ZWP CONNECTOR

## Receptacle assembly (for receptacle contact)

No. of circuits	Model No.	Shape and Dimensions	Q'ty/box
2	02R-ZWPV-KNN		5,358
3	03R-ZWPV-KNN		4,332
4	04R-ZWPV-W-KNN		3,384
5	05R-ZWPV-W-KNN		2,736
6	06R-ZWPV-W-KNN		2,736
8	08R-ZWPV-W-KNN		2,304

### Material and Finish

Receptacle housing: PBT, UL94V-0, black  
 Seal ring: Silicone rubber, brown  
 Seal rubber plate: Silicone rubber, brown

RoHS2 compliance