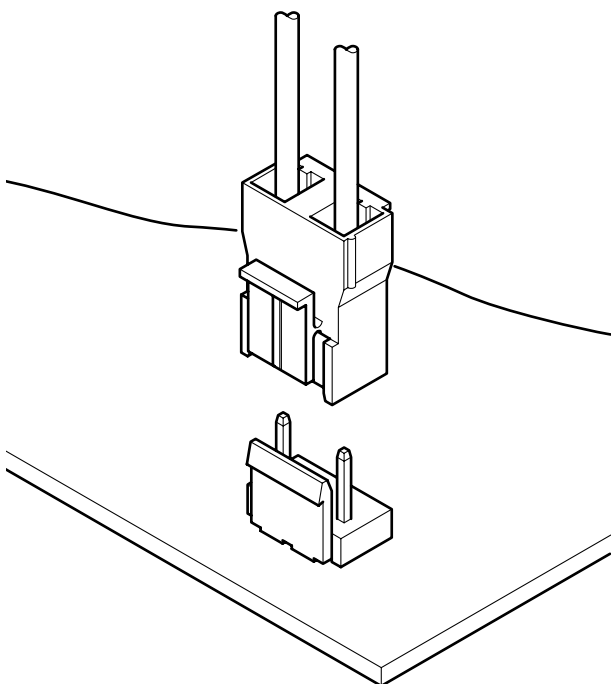


VAJ CONNECTOR

7.92mm pitch/Disconnectable Crimp style connectors



7.92 mm pitch crimp style, large current carrying capacity connector, that is best suited for various kinds of power supply circuits. Box-shaped contacts offer reliable connection.

- **Housing lances**
- **Box contact**
- **Secure contact and mounting**
- **Applicable up to 10 A**

Specifications

- Current rating: 10 A AC, DC (AWG #16)
- Voltage rating: 250 V AC, DC
- Temperature range: -25°C to +85°C
(including temperature rise in applying electrical current)
- Contact resistance: Initial value/ 10 mΩ max.
After environmental tests/ 20 mΩ max.
- Insulation resistance: 1,000 M Ω min.
- Withstanding voltage: 1,500 VAC/minute
- Applicable wire: AWG #20 to #16
- Applicable PC board thickness: 1.6 mm

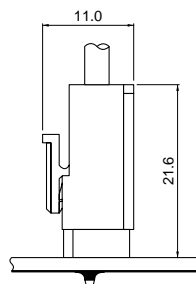
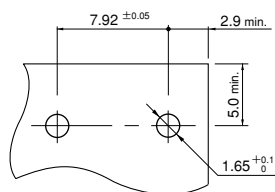
- * Refer to "General Instruction and Notice when using Terminals and Connectors" at the end of this catalog.
- * Contact JST for details.
- * Compliant with RoHS.

Standards

 Recognized E60389

 R9251675

PC board layout and Assembly layout



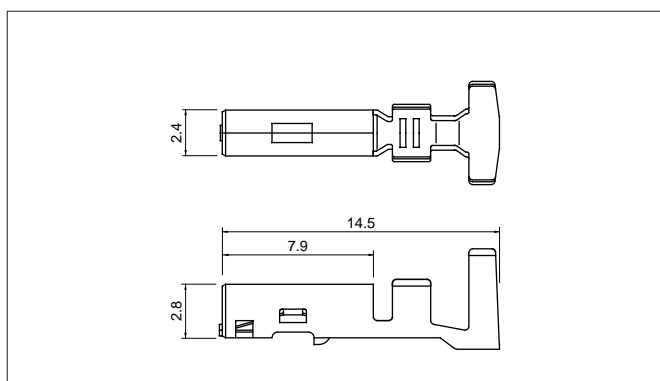
Note: 1. The above figure viewed from the connector mounting side.

2. Tolerances are non-cumulative: ±0.05 mm for all centers.

3. Hole dimensions differ according to the type of PC board and piercing method. The dimensions above should serve as a guideline. Contact JST for details.

VAJ CONNECTOR

Contact



Model No.	AWG #	Insulation O.D.(mm)	Q'ty/reel
SVT-41T-P1.1	20~16	3.9~2.7	2,500

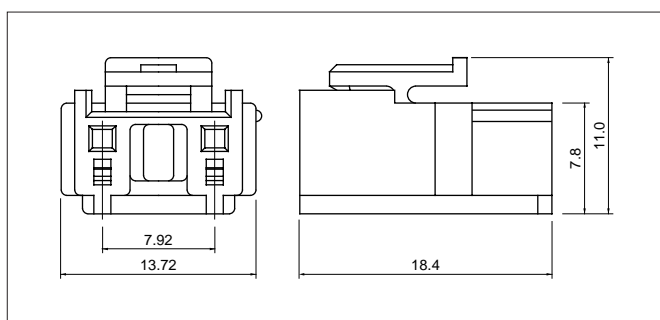
Material and Finish

Alloy (phosphor bronze system), tin-plated (reflow treatment)

RoHS compliance

Contact	Crimping machine	Applicator		
		Crimp applicator	Dies	Crimp applicator with dies
SVT-41T-P1.1	AP-K2N	MKS-L	MK/SVT-41-11	APLMK SVT41-11
		—	—	—

Housing



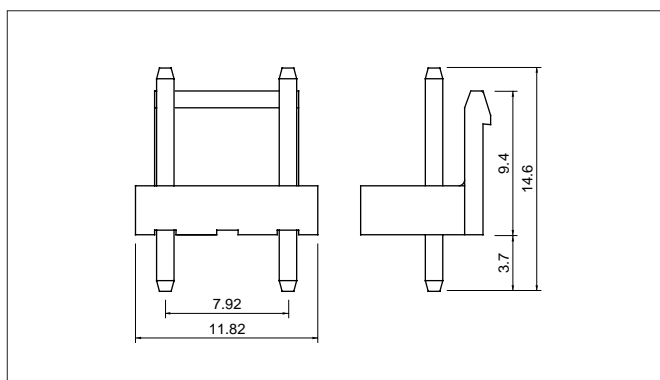
Circuit	Model No.	Q'ty/bag
2	VAJR-02VS	1,000

Material

PA 66, UL94V-0, natural (white)

RoHS compliance

Locking header



Circuit	Model No.	Q'ty/box
2	B2P3-VH	1,000

Material and Finish

Post: Brass, copper-undercoated, tin-plated (reflow treatment)
Wafer: PA 66, UL94V-0, natural (white)

RoHS compliance This product displays (LF)(SN) on a label.