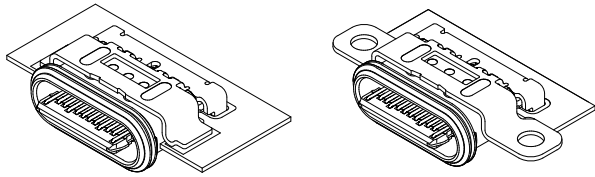




UBC CONNECTOR

USB Type C Waterproof Connector



This UBC series is a waterproof type interface connector with an IPX8 rating for ingress protection per JIS C 9020 Protection Grade 8. Reversible structure that can be inserted regardless of front or back orientation of the plug, and power supply up to maximum of 100 W.

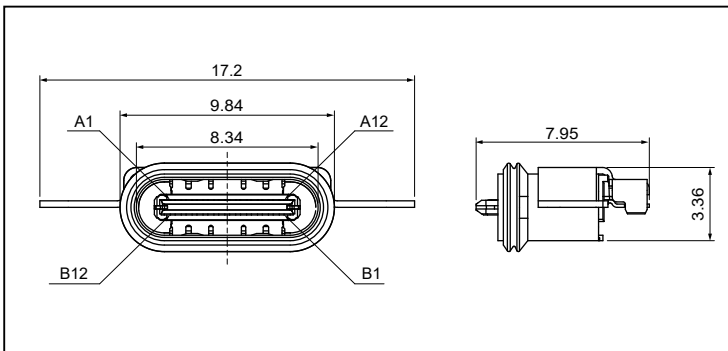
- Waterproof type
- Mating cycles: 10,000
- Space-saving inner housing design
- Double row SMT solder tails
- Halogen free

Specifications

- Current rating :
 - 1.25 A DC/Pin Vbus (A4, A9, B4, B9)
 - GND (A1, A12, B1, B12)
 - CC1 (A5)
 - CC2 (B5)
 - 0.25 A DC/Pin Other circuits
 - Voltage rating : 20 VAC
 - Temperature range : -25°C to +85°C
(including temperature rise in applying electrical current)
 - Contact resistance: Initial value / 40 mΩ max.
After environmental tests / 50 mΩ max.
 - Insulation resistance : 100 MΩ min.
 - Withstanding voltage: There shall be no breakdown or flashover while applying 100 VAC for one minute.
- * Please refer to the "Handling Precautions for Terminals and Connectors" on our website (listed in the "Technical Documents" column on the Product Information page) before use.
- * RoHS2 compliance
- * Dimensional unit: mm
- * Contact JST for details.

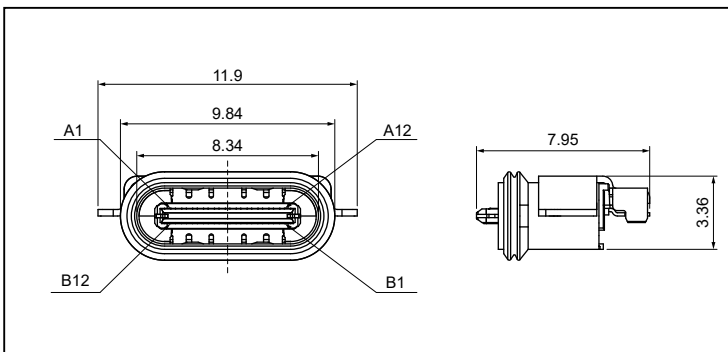
Receptacle (Mid-mount type)

- Screw type with reinforcement tabs TID : 5552



Note: A1, A12, B1, B12 are circuit numbers.

- SMT type with reinforcement tabs



Note: A1, A12, B1, B12 are circuit numbers.

Model No.	Q'ty/reel
UBC-RW10B11-504-7B-TB (HF)	1,600
Material and Surface finish, etc.	
Contact	Copper alloy, nickel-undercoated, selective gold-plated
Housing	Heat resisting resin, UL94V-0, black
EMC Pad	Stainless steel
Mid-plate	Stainless steel, gold-plated
Shell	Stainless steel
Reinforcement tab	Stainless steel, gold-plated
Gasket	Silicone rubber, black
Sealant	Cured resin

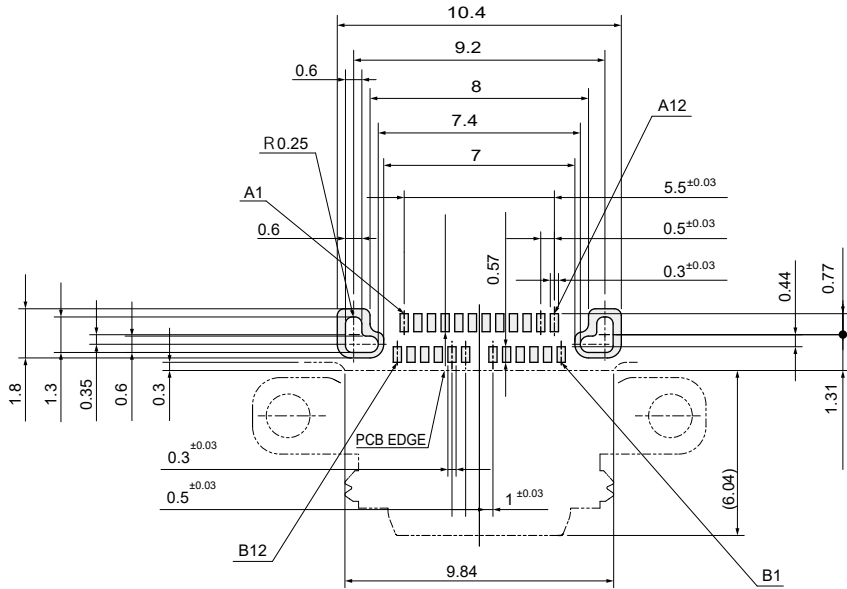
Model No.	Q'ty/reel
UBC-RW1011-504-7B-TB (HF)	1,600
Material and Surface finish, etc.	
Contact	Copper alloy, nickel-undercoated, selective gold-plated
Housing	Heat resisting resin, UL94V-0, black
EMC Pad	Stainless steel
Mid-plate	Stainless steel, gold-plated
Shell	Stainless steel
Reinforcement tab	Stainless steel, gold-plated
Gasket	Silicone rubber, black
Sealant	Cured resin

UBC CONNECTOR (Type C Waterproof)

Receptacle (Mid-mount type)

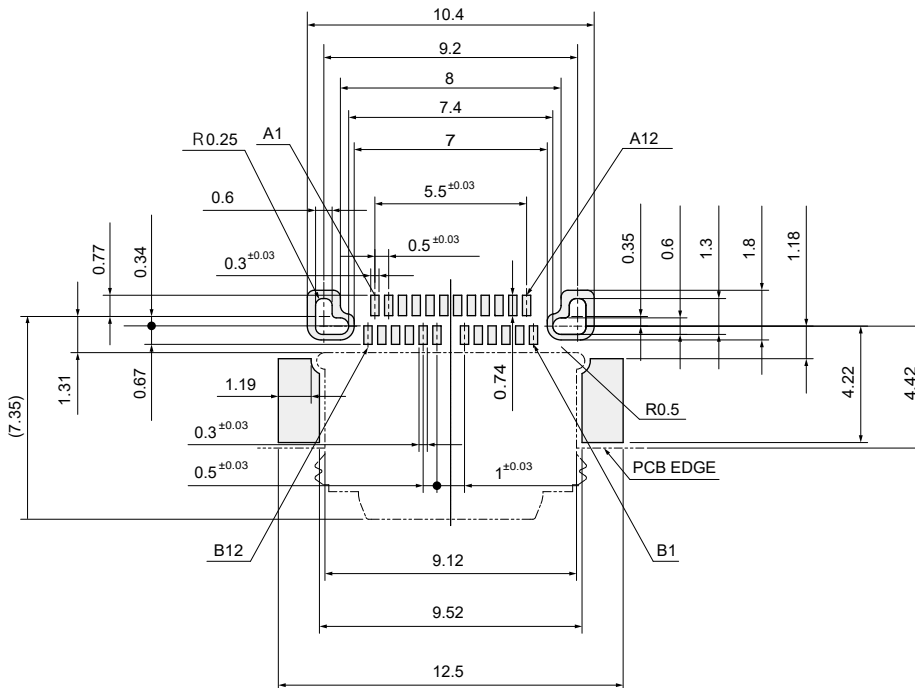
- Screw type with reinforcement tabs

Reference PCB Layout (General tolerance: ± 0.05)



- SMT type with reinforcement tabs

Reference PCB Layout (General tolerance: ± 0.05)



- Pin assignment

PCB PAD No.	A1	A2	A3	A4	A5	A6	A7	A8	A9	A10	A11	A12
	GND	TX1+	TX1-	Vbus	CC1	D+	D-	SBU1	Vbus	RX2-	RX2+	GND
PCB PAD No.	B12	B11	B10	B9	B8	B7	B6	B5	B4	B3	B2	B1
	GND	RX1+	RX1-	Vbus	SBU2	D-	D+	CC2	Vbus	TX2-	TX2+	GND