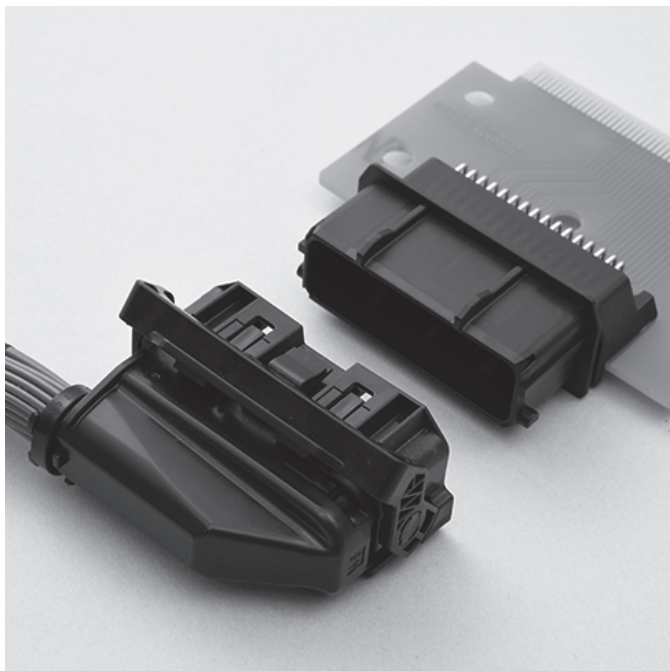
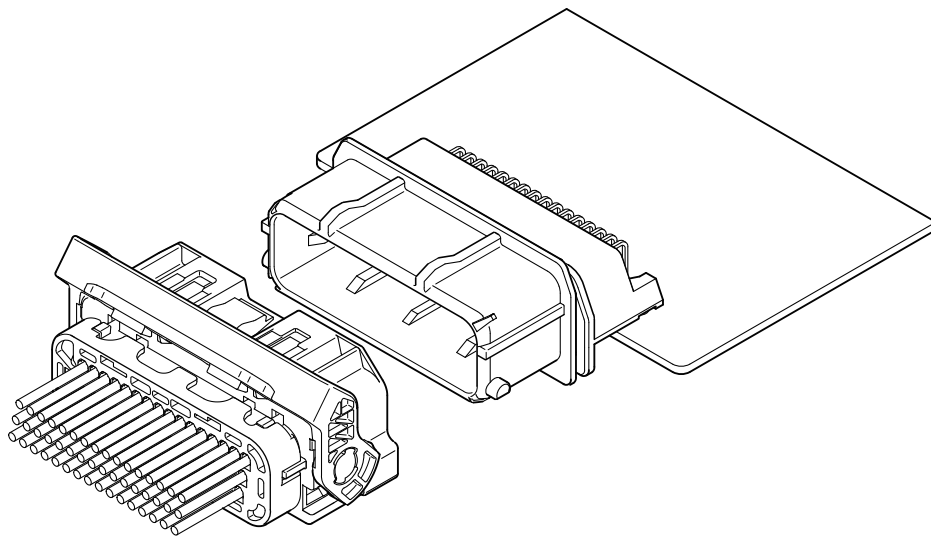


# TCUD<sub>CONNECTOR</sub>

*Board-to-wire*



This connector is 48 circuits sealed and lever type connector.  
Female connector is ZRO, and TCUD male connector is lower height than ZRO male connector.



## Features

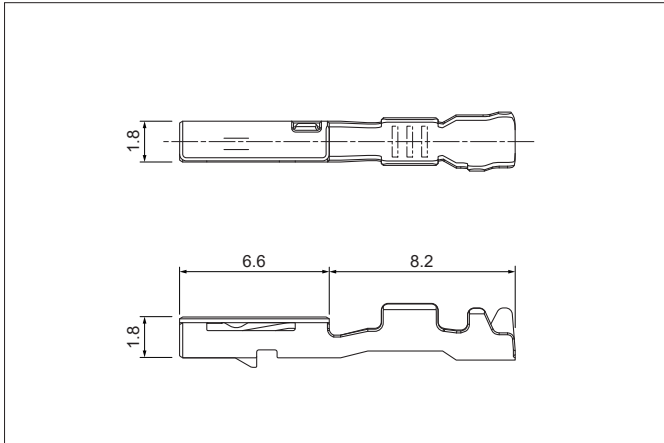
- **Lower profile**  
The height from PC board is lower than ZRO connector.
- **Improvement of Operability**  
The lever is adopted to decrease the connector mating force.  
The fixing part to PC board is lightly press-fitted boss configuration in consideration of the workability when assembling.
- **Sealed**  
Mat seal is adopted for improving the workability of wire seal part.
- **Durability**  
Heat resistant specification corresponding up to 125°C.
- **Variation**  
If the optional harness cover is used, the harness can be taken out from the side.

## Specifications

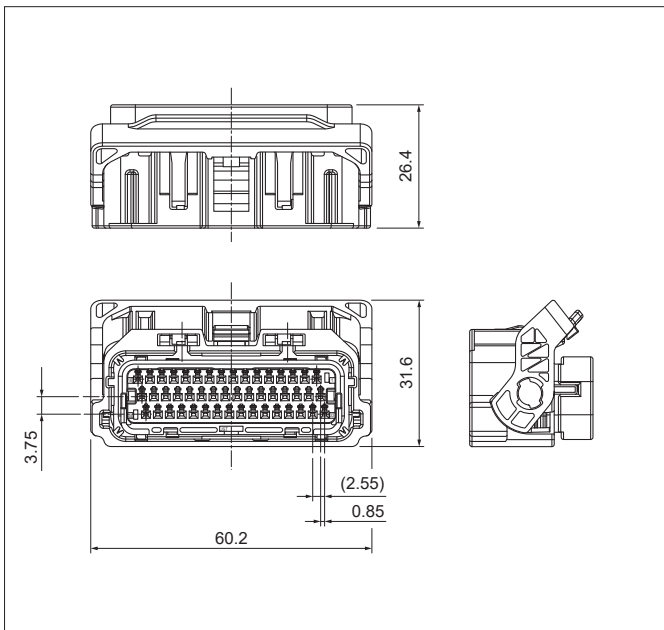
- Current rating: Power/ 7 A DC  
Signal/ 5 A DC
- Withstanding voltage: 1,000 VAC/minute
- Temperature range: -40°C to +125°C  
(including temperature rise in applying electrical current)
- Contact resistance: Initial value/ 8 mΩ max.  
After environmental tests/ 16 mΩ max.
- Insulation resistance: 100 MΩ min.
- Applicable wire: AVSS 0.3 mm<sup>2</sup> to 0.85 mm<sup>2</sup>  
AESSX-f 0.3 mm<sup>2</sup> to 0.75 mm<sup>2</sup>

\* Compliant with ELV/RoHS2.  
\* Contact JST for details.

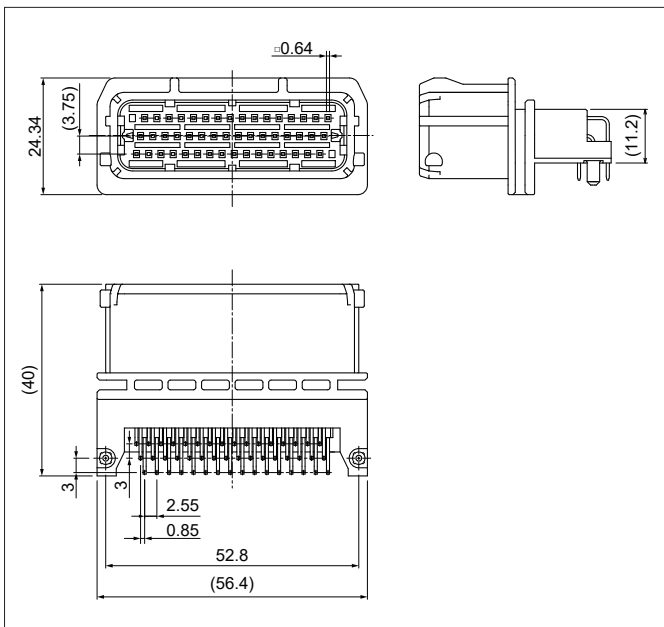
## Female terminal



## Female connector



## Male connector



Model No.	Applicable wire range		Q'ty/reel
	Conductor (mm <sup>2</sup> )	Insulation O.D. (mm)	
<b>SZRO-A021T-M0.64</b>	0.3 to 0.5	1.4 to 1.7	7,500
<b>SZRO-A031T-M0.64</b>	0.75 to 0.85	1.8 to 1.9	7,000

### Material and Finish

Copper alloy, tin-plated (reflow treatment)

Circuits	Model No.	Key Code	Applicable wire range (mm <sup>2</sup> )	Housing Color	Wire seal Color	Q'ty/box
48	<b>48ZRO-B-1A</b>	A	0.5 to 0.85	Black	Brown	384
	<b>48ZRO-B-3A</b>	A	0.3 to 0.85	Black	Blue	384

### Material and Finish

Housing: Glass-filled PBT

Seal: Silicone

Lever: POM

Note: Applied to 0.75 mm<sup>2</sup> and 0.85 mm<sup>2</sup> wires has a limit to an arrangement and number of wires. Refer to the drawing or contact JST for details.

Circuits	Model No.	Key Code	Housing Color	Q'ty/reel
48	<b>S48B-TCUDK-1</b>	A	Black	192

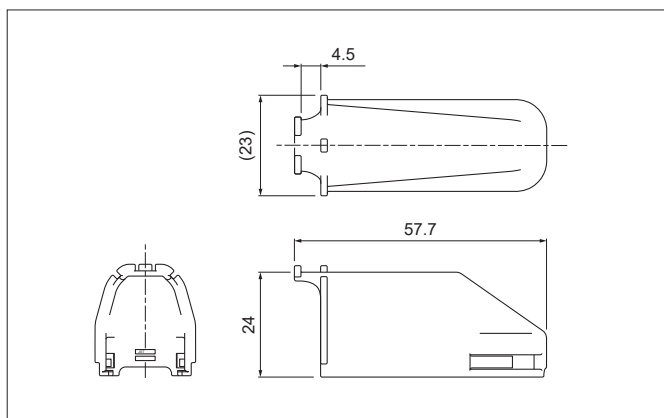
### Material and Finish

Housing: Glass-filled PBT

Pin: Brass, tin-plated (reflow treatment)

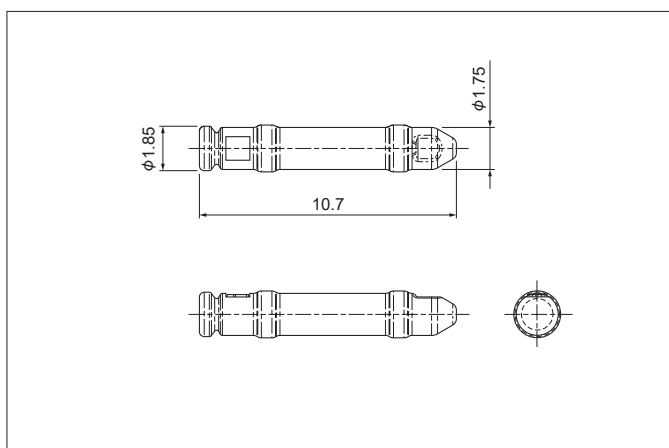
# TCUD CONNECTOR

## Harness cover



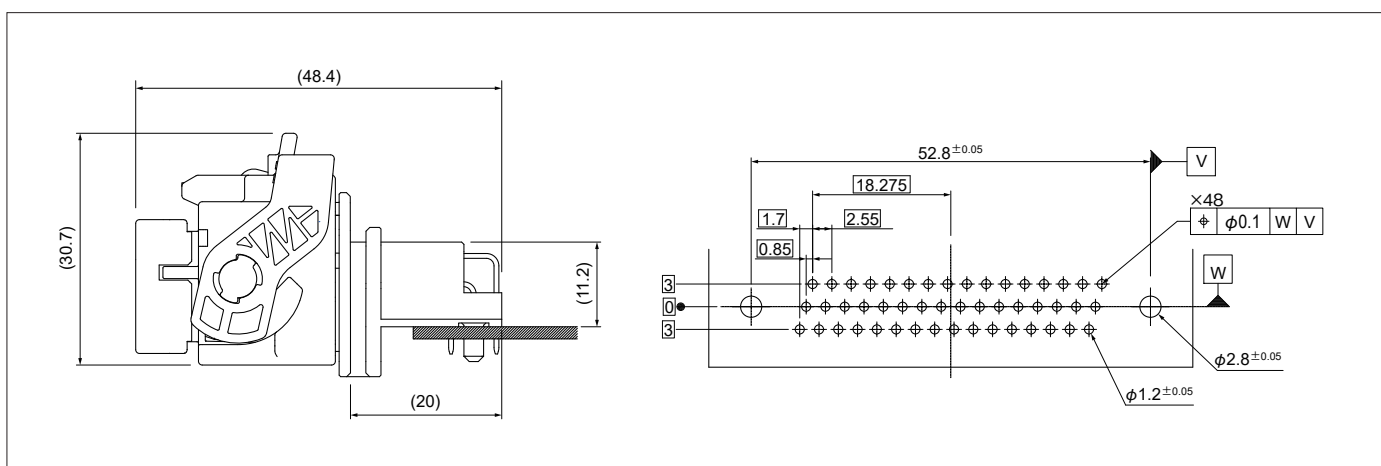
Circuits	Model No.	Housing Color	Q'ty/box
48	<b>ZROHC-48H-K-1</b>	Black	600
Material and Finish			
PBT			

## Dummy plug



Model No.	Q'ty/box
<b>WPHDP-H-1A-H</b>	7,000
Material and Finish	
PBT, Gray	

## PC board layout, Assembly layout



## Crimping machine, Applicator

Strip terminal	Crimping machine	Crimp applicator MKS-L	
		Dies	Crimp applicator with dies
<b>SZRO-A021T-M0.64</b>	AP-K2N	MK/SWPH-A021-064	APLMK SWPH-A021-064
<b>SZRO-A031T-M0.64</b>		MK/SZRO-A031-064	APLMK SZRO-A031-064

Note: When crimping operation is conducted using an applicator and die set other than the above, JST cannot guarantee the performance of the terminal.