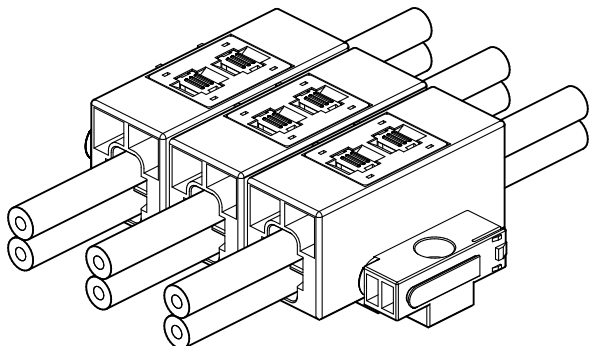


TBX CONNECTOR

25.0 mm pitch/ Wire-to-Wire connectors (Spring type terminal block)



This is a short circuit type power supply system wire-to-wire connector that is configurable up to 4 lines. For example, for one line on the input side, the output side can be branched into 1 to 3 lines according to a use application. It is also possible to its reverse. Use by mounting the crimped ring tongue terminal R8-5.

- Structure that prevents the solderless terminal from coming off with a retainer
- Multiple connectors can be combined into one set by connecting the connectors

Note: The above figure is an image of a set product in which three connectors are connected.

Standards

Recognized E239668

Note: Please contact JST for further information about the above safety standard.

Specifications

- Current rating: 50 AC/DC (AWG #8)

Note: This is the maximum value of total input current that can be applied when inserting the correctly crimped terminal "R8-5" with the wire of AWG #8 into the connector.

Please use the product within the range that the total input current does not exceed 50 A.

- Voltage rating: 600 V AC/DC
- Temperature range: -25°C to +85°C
(including temperature rise in applying electrical current)
- Contact resistance: Initial value/ 1 mΩ max.
After environmental tests/ 2 mΩ max.
- Insulation resistance: 1,000 MΩ min.
- Withstanding voltage: 2,500 VAC/minute
- Applicable wire: AWG #8
- Applicable solderless terminal: R8-5 manufactured by JST

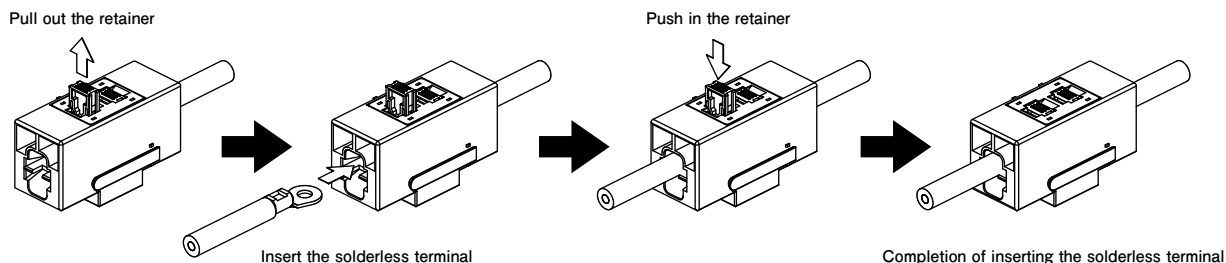
* In using the products, refer to "Handling Precautions for Terminals and Connectors" described on our website (Technical documents of Product information page).

* RoHS2 compliance

* Dimensional unit: mm

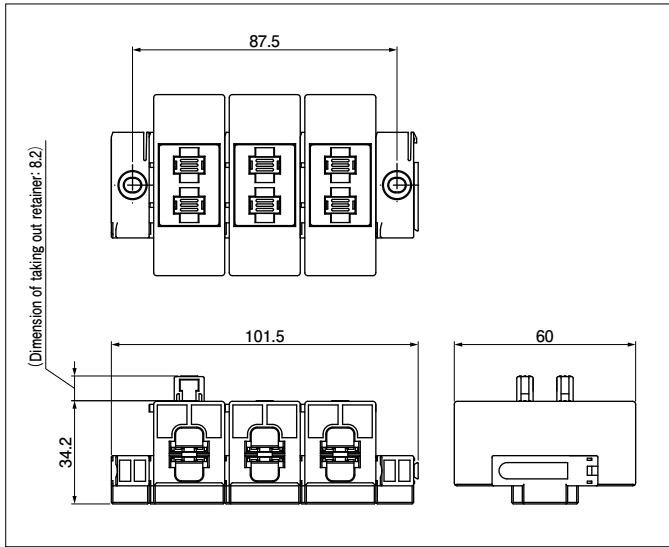
* Contact JST for details.

How to insert solderless terminal



TBX CONNECTOR

Connector



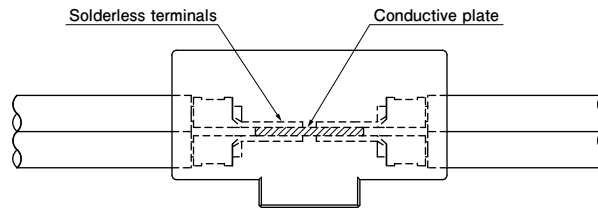
Model Number	Material and Finish		Set/box
TBX-03K-S4DA	Housing	Thermoplastic resin, UL94V-0, black	10
	Cover housing	Thermoplastic resin, UL94V-0, black	
	Retainer	Thermoplastic resin, UL94V-0, natural	
	Conductive plate	Copper, tin-plated (reflow treatment)	
	Spring	Stainless steel	
	Panel lock	Thermoplastic resin, UL94V-0, black	

RoHS2 compliance

Note: The above is the model number of a set product in which three connectors are connected.

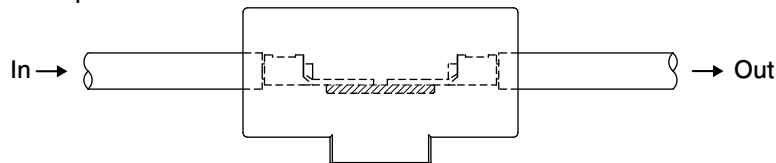
Current flowing path

There are 4 mounting holes for solderless terminals, and the inserted solderless terminals are short-circuited inside the connector.

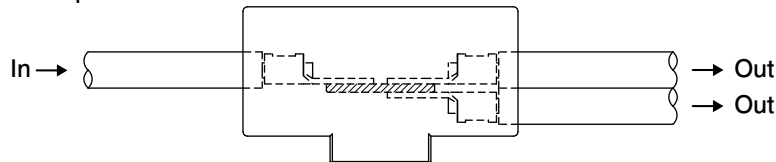


● Example of current flowing path

<Example1>



<Example2>



<Example3>

