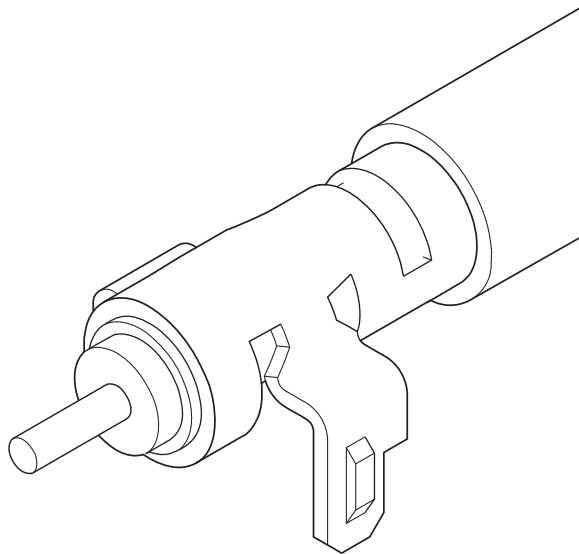


Features

- Robustness
- Improvement of soldering work
- Maintenance of the coaxial structure
- Two kinds of mounting specification
(On-board specification, Off set specification)

This is a terminal to fix a coaxial cable to the PC board. By press-fitting the dimple on the terminal foot portion into the PC board, the terminal is fixed when installing it onto the PC board and the soldering work is improved.

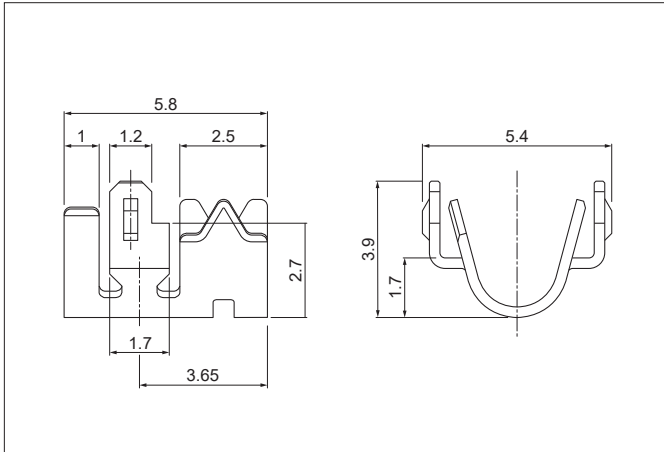


Specifications

- Temperature range: -25°C to +85°C
(including temperature rise in applying electrical current)
- Applicable wire: 1.5D coaxial wire
*An applicable wire requires evaluation separately.
- Applicable PC board thickness: t0.8 to 1.6 mm

* Compliant with ELV/RoHS2.
* Contact JST for details.

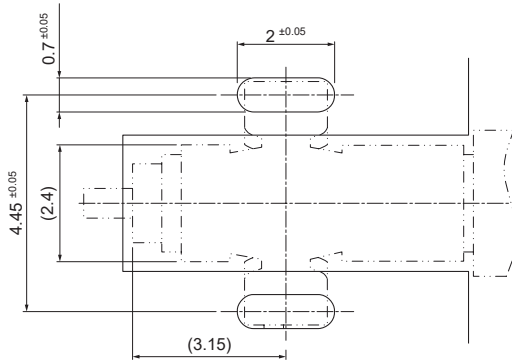
Contact



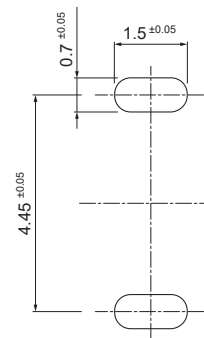
Model No.	Applicable wire	Q'ty /reel
	Braided O.D.(mm)	
SJG-90T-P2.0-A	2.1	3,000
Material and Finish		
Copper alloy, tin-plated (reflow treatment)		

PC board layout

Off set specification



On-board specification



Note: 1. The above figure is the figure viewed from the terminal mounting side.
 2. The dimensions shown above are our recommended values. Contact JST for details.

Crimping machine, Splicator

Contact	Crimping machine	Crimp application MKS-L-10-SJG	
		Dies	Crimp application with dies
SJG-90T-P2.0-A	AP-K2N	MKS-L-10-SJG	APLMK SJG90-20-A

Note: When crimping operation is conducted using an applicator and die set other than the above, JST cannot guarantee the performance of the terminal.