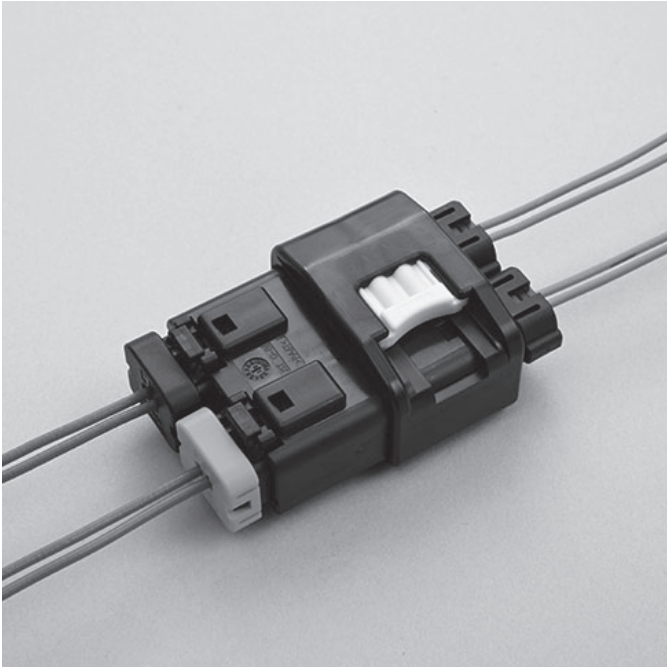


SISC CONNECTOR

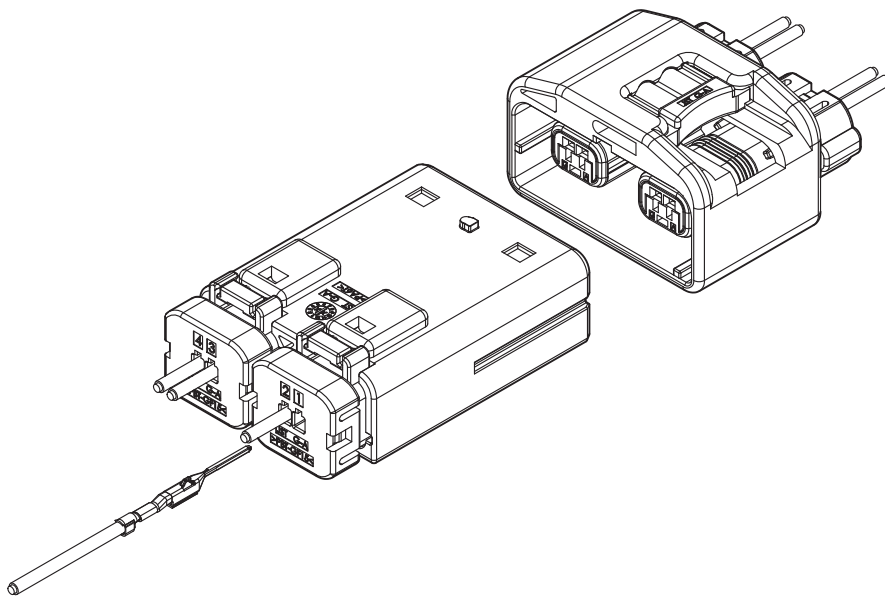
Wire-to-wire/Sealed connector



Features

- **0.64 mm Mat Sealed Connector**
- **Anti Vibration Mechanism**
High reliability rigid connector enables to keep higher durability at shock and vibration environment.
- **Go / No-Go Mating System**
Compression spring prevents half-mating.

0.64 mm mat sealed wire to wire connector with rigid design and spring lock mechanism.
Spring force prevents half-mating during mating and keeps constant rigid connection between male and female connector.



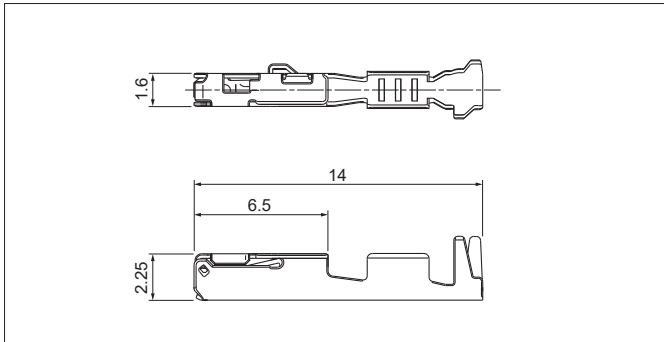
Specifications

- Current rating: 5 A AC, DC max.
- Withstanding voltage: 1,000 VAC/minute
- Temperature range: -40°C to +120°C
(including temperature rise in applying electrical current)
- Contact resistance: Initial value/ 10 mΩ max.
After environmental tests/ 20 mΩ max.
- Insulation resistance: 100 MΩ min.
- Applicable wire: AVSS/AESSXF
0.3 mm² to 0.5 mm²

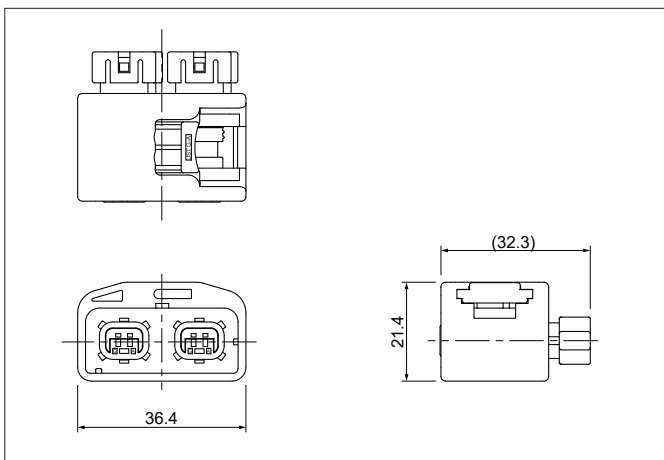
* Compliant with ELV/RoHS.

* Contact JST for details.

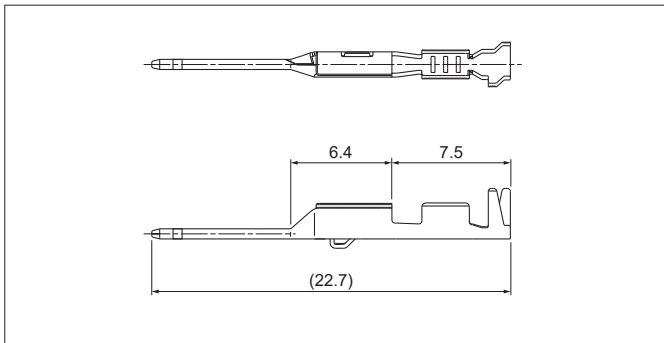
Female terminal



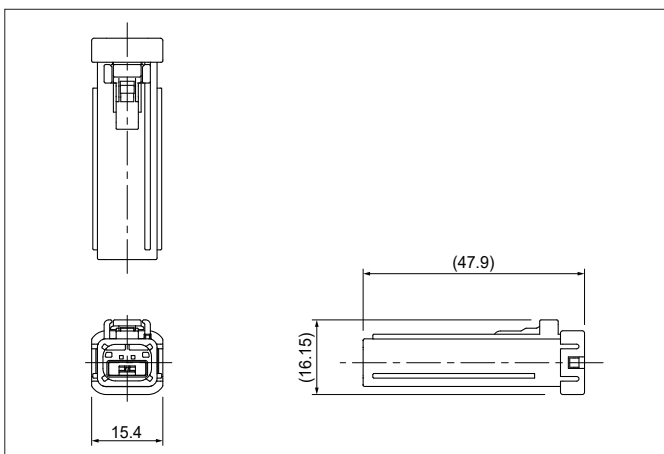
Female connector



Male terminal



Male connector



Model No.	Applicable wire range		Q'ty/reel
	Conductor (mm ²)	Insulation O.D. (mm)	
①SAIT-A03T-M064	0.3 to 0.5	≤1.9	6,500
②SAIT-A03GF-M064	0.3 to 0.5	≤1.9	6,500

Material and Finish

- ①Copper alloy, tin-plated (reflow treatment)
- ②Copper alloy, nickel-undercoated, Contact area; gold-plated
Barrel area; tin-plated

Circuits	Model No.	Housing Color	Q'ty/box
4	SISCRB-04-1A-K	Black	640
	SISCRB-04-2A-Y	Yellow	640

Material and Finish

- Female housing: PA
- Retainer: Glass-filled PBT, Natural
- Inner seal: Silicone, Blue
- Wire seal: Silicone, Blue
- Wire seal cover: Glass-filled PBT, Black
- Slider: Glass-filled PBT, Natural
- Spring: SUS

Model No.	Applicable wire range		Q'ty/reel
	Conductor (mm ²)	Insulation O.D. (mm)	
①SAITW-A03T-064	0.3 to 0.5	≤1.9	9,000
②SAITW-A03GF-064	0.3 to 0.5	≤1.9	9,000

Material and Finish

- ①Brass, tin-plated (reflow treatment)
- ②Brass, nickel-undercoated, Contact area; gold-plated
Barrel area; tin-plated

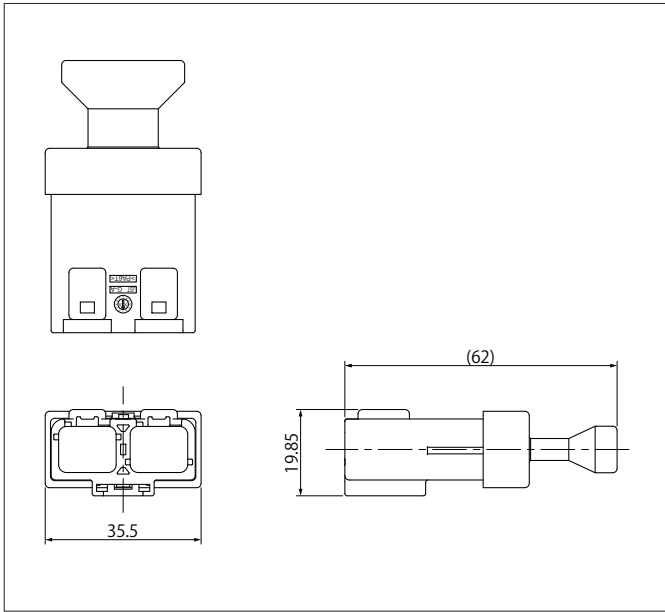
Circuits	Model No.	Wire Seal cover Color	Q'ty/box
2	SISCPB-02-1A-K	Yellow	1,000
	SISCPB-02-2A-K	Black	1,000
	SISCPB-02-3A-K	Natural	1,000
	SISCPB-02-4A-K	Green	1,000

Material and Finish

- Male housing: Glass-filled PBT, Black
- Retainer: Glass-filled PBT, Natural
- Wire seal: Silicone, Red brown
- Wire seal cover: Glass-filled PBT

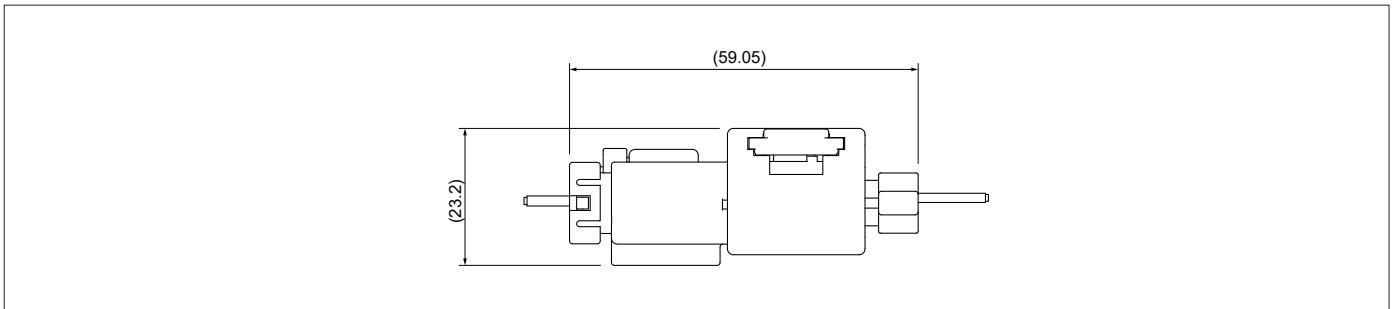
SISC CONNECTOR

Male connector holder assembly



Circuits	Model No.	Housing Color	Q'ty/box
2	SISCPHB-04-1A-K	Black	320
	SISCPHB-04-2A-Y	Yellow	320
Material and Finish			
Male connector holder: PA Dust cover: PP, Natural			

Assembly layout



Crimping machine, Applicator

Strip terminal	Crimping machine	Crimp applicator MKS-L	
		Dies	Crimp applicator with dies
SAIT-A03()-M064	AP-K2N	MK/SAIT-A03-064	APLMK SAIT-A03-064
SAITW-A03()-064		MK/SAITW-A03-064	APLMK SAITW-A03-064

Note: When crimping operation is conducted using an applicator and die set other than the above, JST cannot guarantee the performance of the terminal.