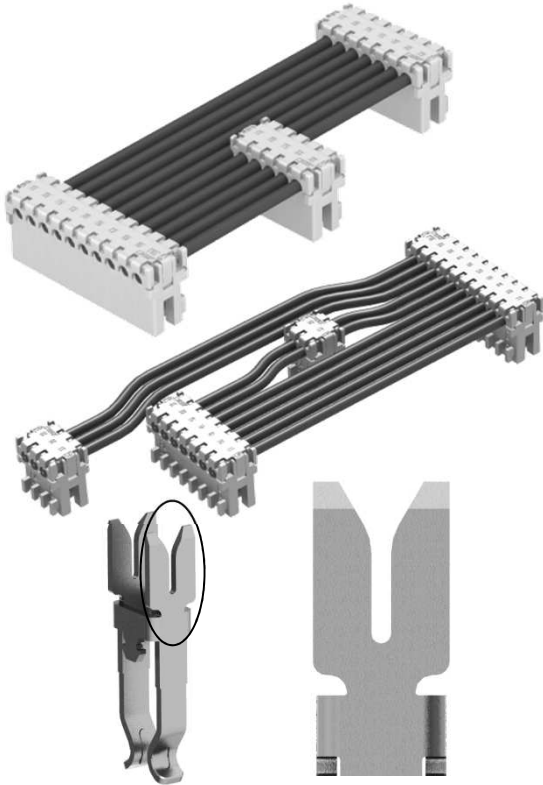


# RSXA CONNECTOR

2.5 mm pitch/Card Edge Type IDC (Insulation Displacement Connector)



**The RSXA connector is a card-edge type insulation displacement connector that conforms to the RAST 2.5 standard.**

## Features

### •RAST 2.5 standard

### •IDC Benefits

- Shorter harness production time
- Lower harness cost
- Better harness quality
- Daisy chain option available
- Lead free product
- 5mm spacing available (one circuit skipped)

### •Polarizing Feature

- Half or Full Polarizing Rib & End Walls, Keyed, Keyless or Selective Keying available

### •Locking Features

- End Lock, Friction Lock, Pole Lock

### •Unique Contact Design

- Twin U-Slot contact design provides extra stability

### •Circuits

- 2-10 Position


## Specifications

- Current rating: 4A AC, DC max. (AWG#22)  
2A AC, DC max. (AWG#24)
- Voltage rating: 250 AC, DC max.
- Temperature range: -25°C to +105°C  
(including temperature rise in applying electrical current)
- Contact resistance: Initial value/3m  $\Omega$  max.  
After environmental testing/ 6m  $\Omega$  max.
- Insulation resistance: 1,000M  $\Omega$  min.
- Withstanding voltage: 1,000V AC/minute
- Applicable wire: UL AWM 1007/1569,  
Insulation O.D:  $\leq 1.7$  mm  
AWG# 24 to 22 (0.22 to 0.38mm<sup>2</sup>)

\* Contact JST for details

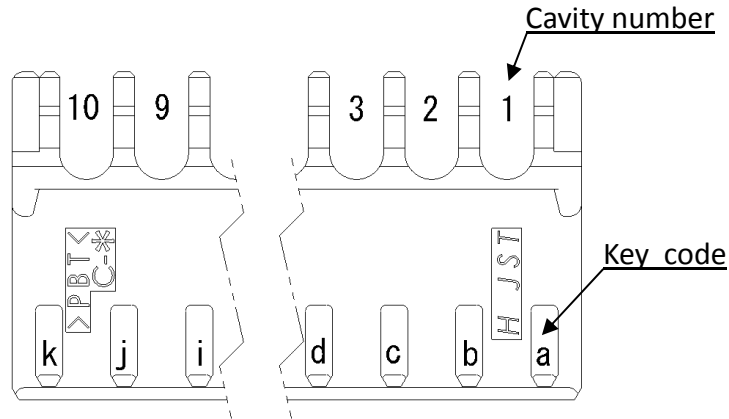
\* Compliant with RoHS2

## Standards

 Recognized E60389

# RSXA connector

## Part number structure



\* \* RSXA – D 0.38 S – \* – \* – \*  
 ① ② ③ ④ ⑤ ⑥ ⑦ ⑧ ⑨

①	Circuit Number	02, 03, ... 10
②	Block Position	Indicated by blocked circuit position
③	Series Name	RSXA series
④	Wire configuration	D: Daisy chain
⑤	Wire size (mm <sup>2</sup> )	
⑥	Color	S: Natural
⑦	Lock configuration	1: No lock E: End lock F: Friction lock P: Pole lock
⑧	Polarization rib	None: No rib H: Half rib or end wall F: Full rib or end wall
⑨	Key code configuration	None: Full keyed 00: All key removed K( ): Remove key on ( ) position K0 ( ): Remain key on ( ) position

**RoHS2 compliance** This product displays (LF)(SN) on a label.

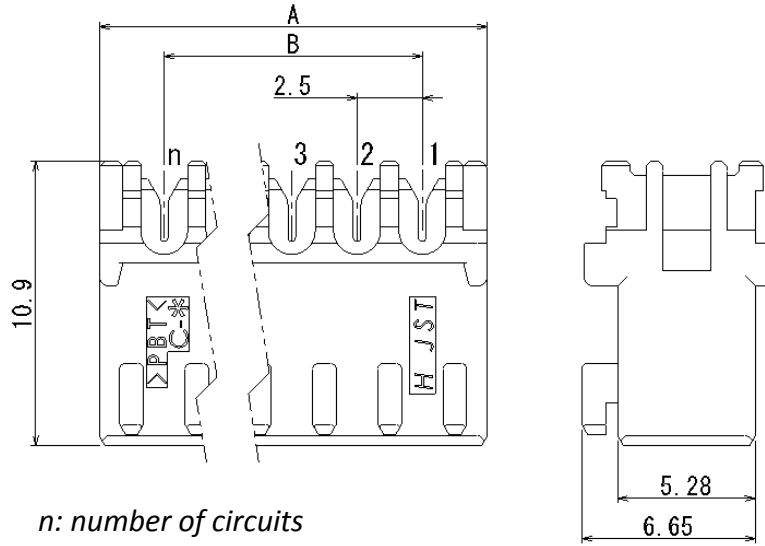
Note: Contact JST for other configurations if necessary

Note : For Circuit 11 to 20, contact JST sales person for availability and lead time

# RSXA CONNECTOR

## Dimension

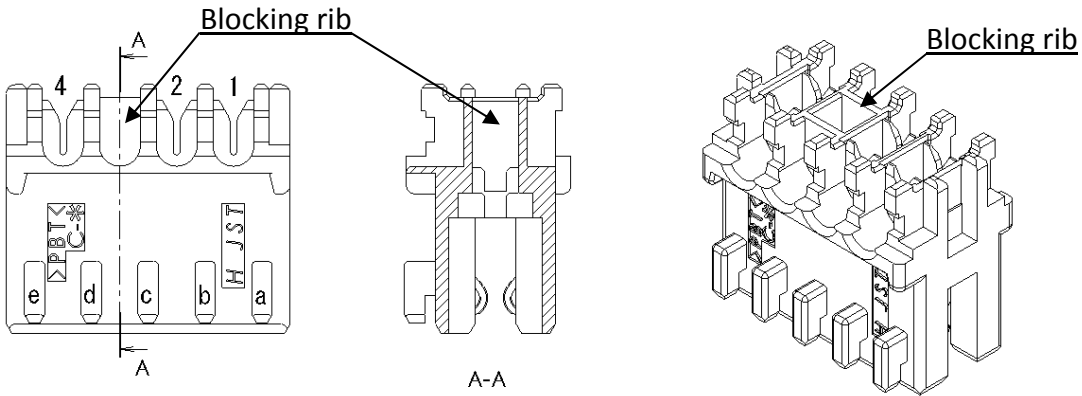
- Dimensions are applicable for all configurations.



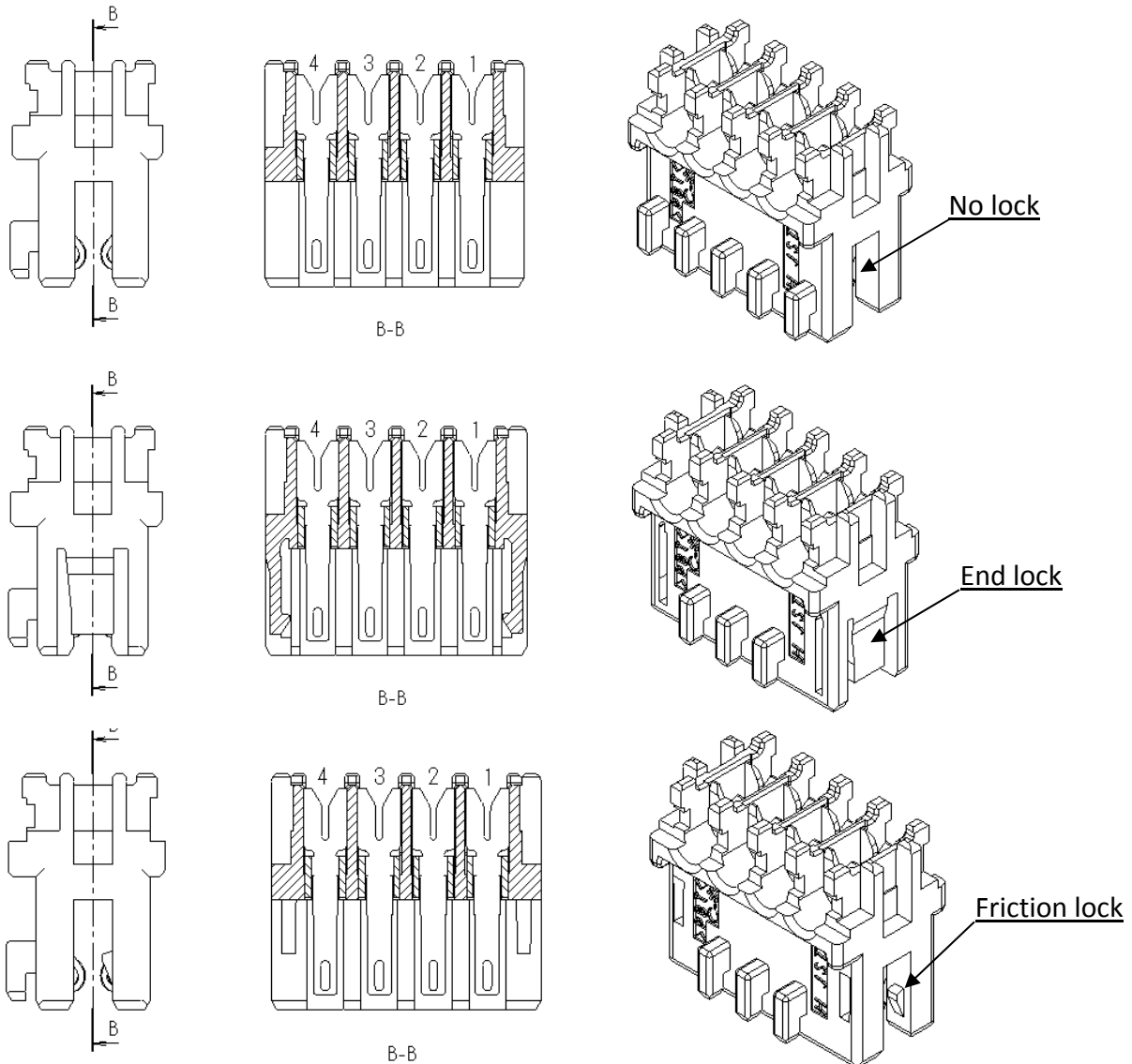
Number of Circuits (n)	Dimensions (mm)	
	A	B
2	7.48	2.5
3	9.98	5.0
4	12.48	7.5
5	14.98	10.0
6	17.48	12.5
7	19.98	15.0
8	22.48	17.5
9	24.98	20.0
10	27.48	22.5

# RSXA connector

## Blocking rib

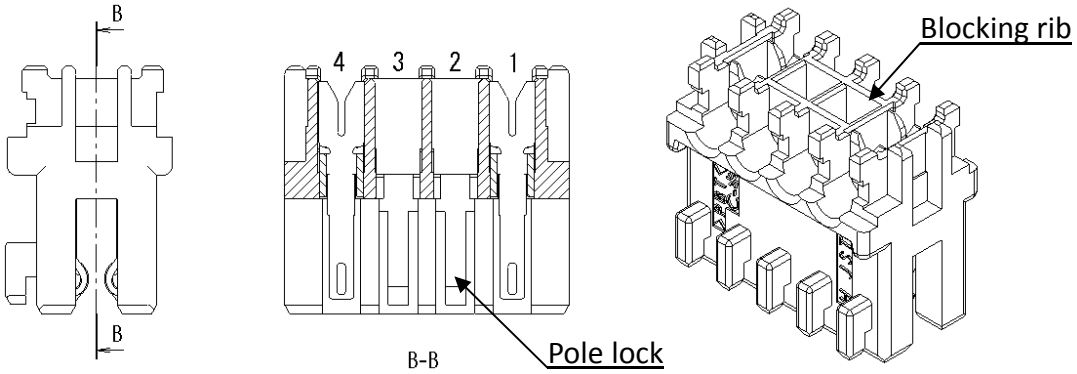


## Lock configuration

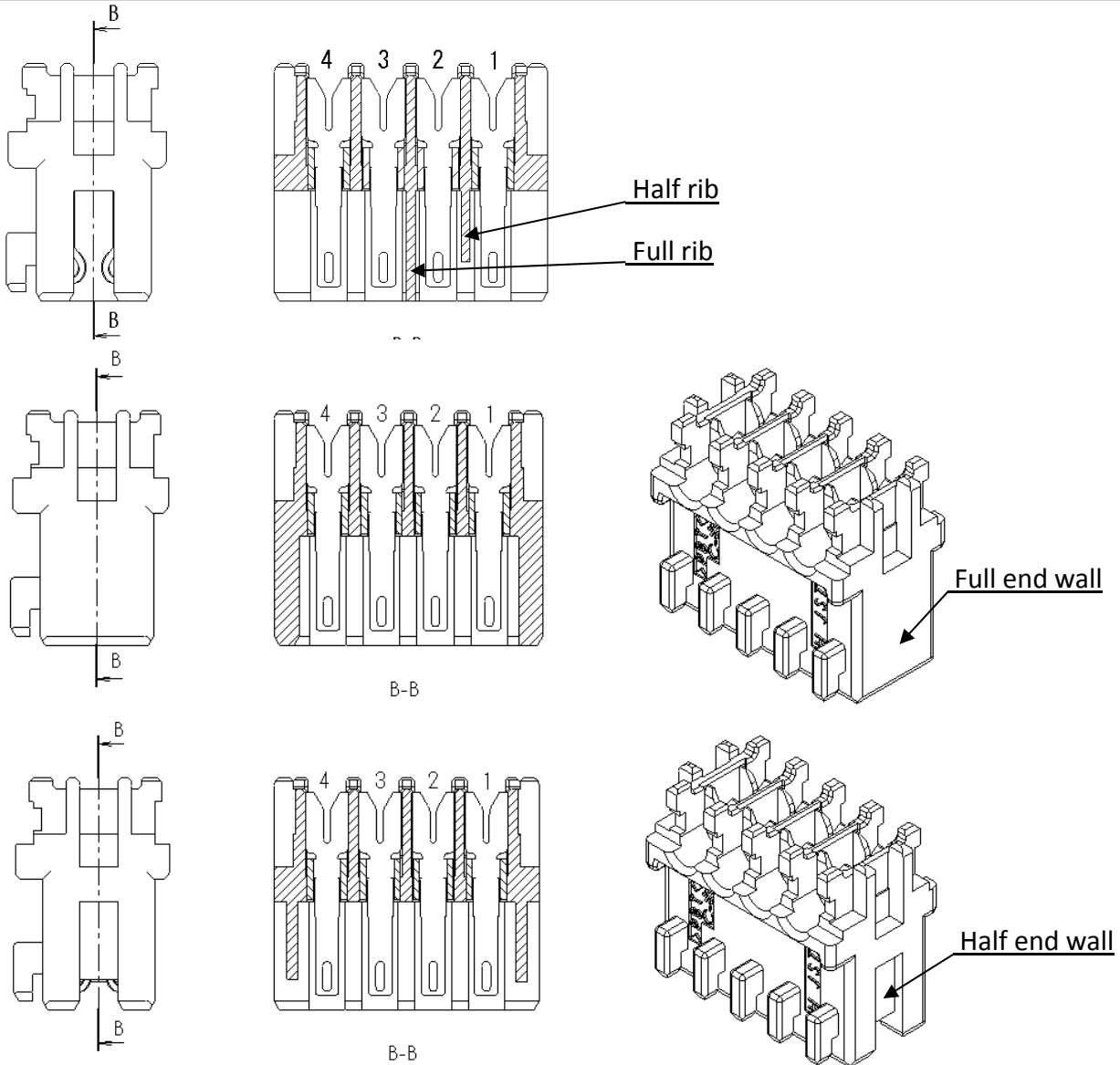


# RSXA connector

## Lock configuration



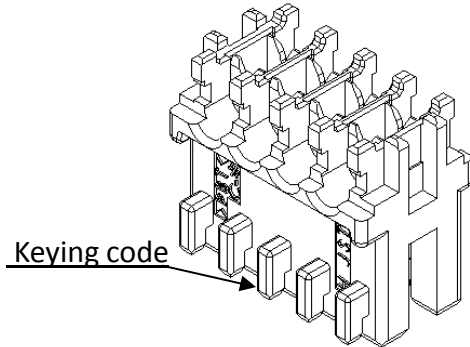
## Polarization rib



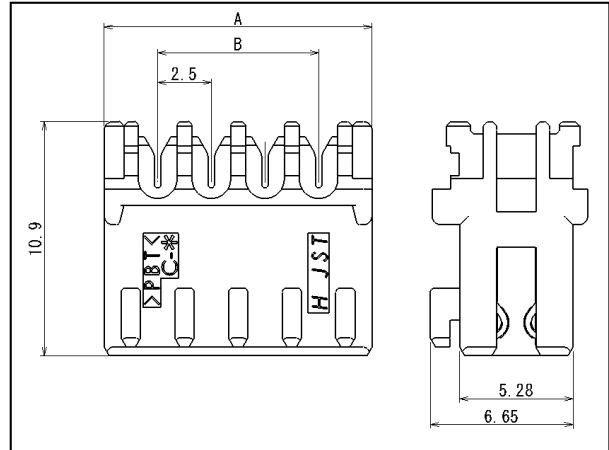
# RSXA connector

## RAST2.5 socket assembly basic design

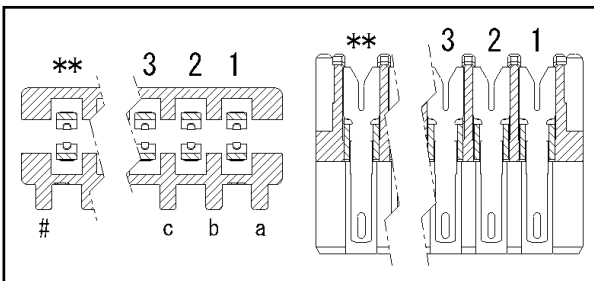
- Complies with RAST 2.5 standard
- 2 – 10 circuits
- Variable keying option available
- Applicable wire size AWG#24~ 22



Material
Housing: PBT, UL94V-0 (natural) Contact: Phosphor bronze, tin-plated



Number of Circuits (n)	Model No.	Dimensions (mm)	
		A	B
2	02RSXA-D0.38S-1	7.48	2.5
3	03RSXA-D0.38S-1	9.98	5.0
4	04RSXA-D0.38S-1	12.48	7.5
5	05RSXA-D0.38S-1	14.98	10.0
6	06RSXA-D0.38S-1	17.48	12.5
7	07RSXA-D0.38S-1	19.98	15.0
8	08RSXA-D0.38S-1	22.48	17.5
9	09RSXA-D0.38S-1	24.98	20.0
10	10RSXA-D0.38S-1	27.48	22.5

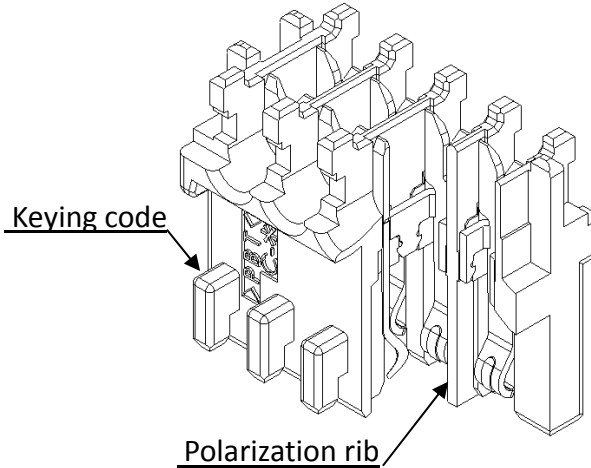


Model No.
**RSXA-D0.38S-1-K#
- **represents the circuit number (02, 03, ... 10) - # represents the keying code depending on circuit number (none: for full keyed; 00 for keyless) - No polarization rib or end wall - No lock configuration

**RoHS2 compliance** This product displays (LF)(SN) on a label.  
 Note: Contact JST for other configurations if necessary  
 Note : For Circuit 11 to 20, contact JST sales person for availability and lead time

# RSXA connector

## RAST2.5 socket assembly basic design with polarization ribs



Configuration
Model No.
<b>**RSXA-D0.38S-1-^F-K#</b>
<ul style="list-style-type: none"> <li>- ** represents the circuit number (02, 03, ... 10)</li> <li>- # represents the keying code depending on circuit number (none: for full keyed; 00 for keyless)</li> <li>- ^ represents the polarization ribs location</li> <li>- No lock configuration</li> </ul>

**RoHS2 compliance** This product displays (LF)(SN) on a label.

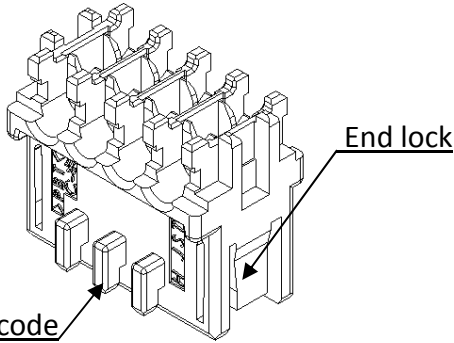
Note: Contact JST for other configurations if necessary

Note : For Circuit 11 to 20, contact JST sales person for availability and lead time

# RSXA connector

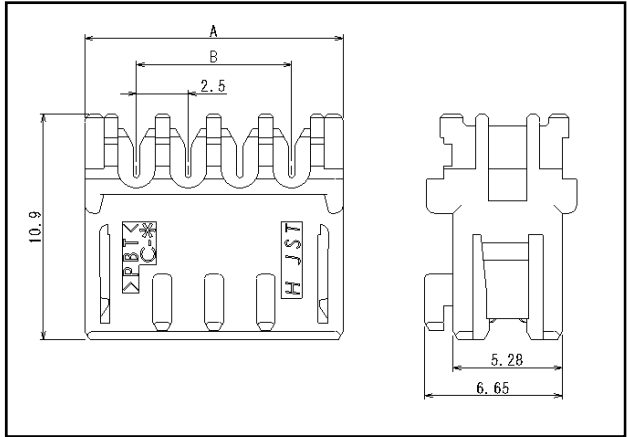
## RAST 2.5 socket assembly end locks

- Complies with RAST 2.5 standard
- 2 – 10 circuits
- Variable keying option available
- Applicable wire size AWG#24~ 22

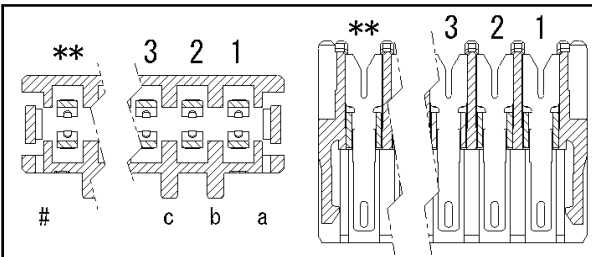


### Material

Housing: PBT, UL94V-0 (natural)  
Contact: Phosphor bronze, tin-plated



Number of Circuits (n)	Model No.	Dimensions (mm)	
		A	B
2	02RSXA-D0.38S-E-KAC	7.48	2.5
3	03RSXA-D0.38S-E-KAD	9.98	5.0
4	04RSXA-D0.38S-E-KAE	12.48	7.5
5	05RSXA-D0.38S-E-KAF	14.98	10.0
6	06RSXA-D0.38S-E-KAG	17.48	12.5
7	07RSXA-D0.38S-E-KAH	19.98	15.0
8	08RSXA-D0.38S-E-KAI	22.48	17.5
9	09RSXA-D0.38S-E-KAJ	24.98	20.0
10	10RSXA-D0.38S-E-KAK	27.48	22.5



### Model No.

\*\*RSXA-D0.38S-E-K#

- \*\* represents the circuit number (02, 03, ... 10)
- # represents the keying code depending on circuit number (first and last key will be removed for end lock)
- No polarization rib or end wall
- End lock configuration

**RoHS2 compliance** This product displays (LF)(SN) on a label.

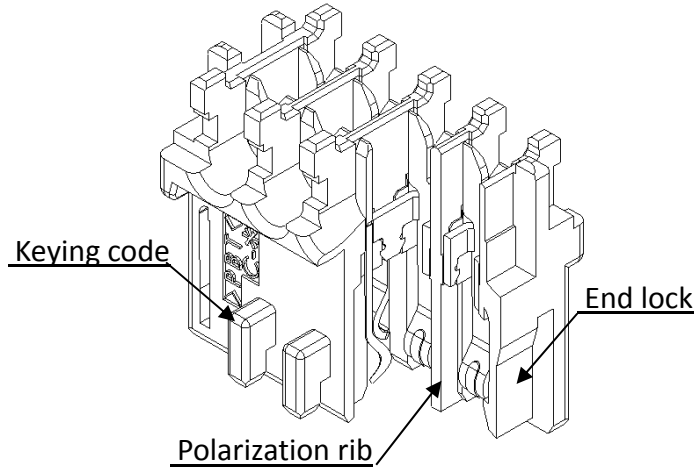
Note: Contact JST for other configurations if necessary

Note : For Circuit 11 to 20, contact JST sales person for availability and lead time



# RSXA connector

RAST 2.5 socket assembly end locks with polarization ribs



Configuration	
Model No.	
<b>**RSXA-D0.38S-E-^F-K#</b>	
<ul style="list-style-type: none"> <li>- ** represents the circuit number (02, 03, ... 10)</li> <li>- # represents the keying code depending on circuit number (first and last key will be removed for end lock)</li> <li>- ^ represents the polarization ribs location</li> <li>- End lock configuration</li> </ul>	

**RoHS2 compliance** This product displays (LF)(SN) on a label.

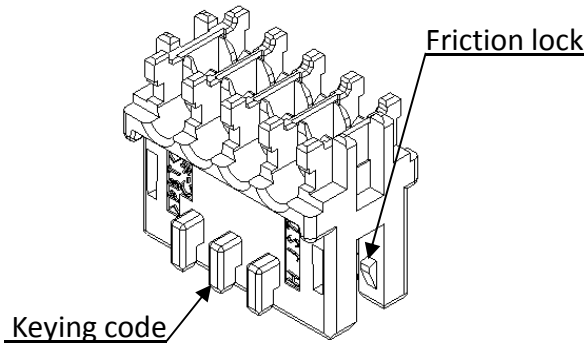
Note: Contact JST for other configurations if necessary

Note : For Circuit 11 to 20, contact JST sales person for availability and lead time

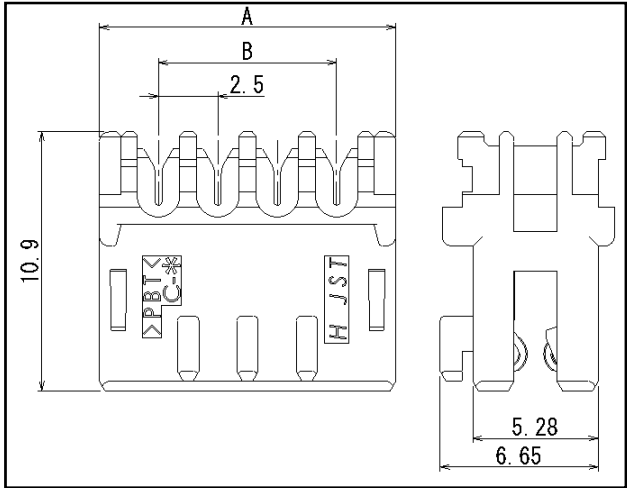
# RSXA connector

## RAST 2.5 socket assembly friction locks

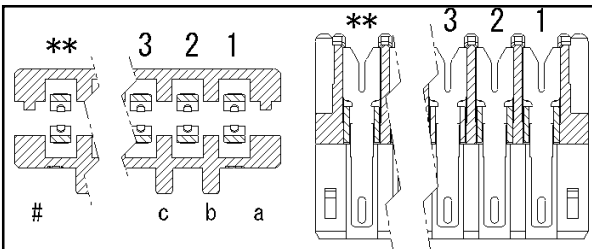
- Complies with RAST 2.5 standard
- 2 – 10 circuits
- Variable keying option available
- Applicable wire size AWG#24~ 22



Material
Housing: PBT, UL94V-0 (natural) Contact: Phosphor bronze, tin-plated



Number of Circuits (n)	Model No.	Dimensions (mm)	
		A	B
2	02RSXA-D0.38S-F-KAC	7.48	2.5
3	03RSXA-D0.38S-F-KAD	9.98	5.0
4	04RSXA-D0.38S-F-KAE	12.48	7.5
5	05RSXA-D0.38S-F-KAF	14.98	10.0
6	06RSXA-D0.38S-F-KAG	17.48	12.5
7	07RSXA-D0.38S-F-KAH	19.98	15.0
8	08RSXA-D0.38S-F-KAI	22.48	17.5
9	09RSXA-D0.38S-F-KAJ	24.98	20.0
10	10RSXA-D0.38S-F-KAK	27.48	22.5

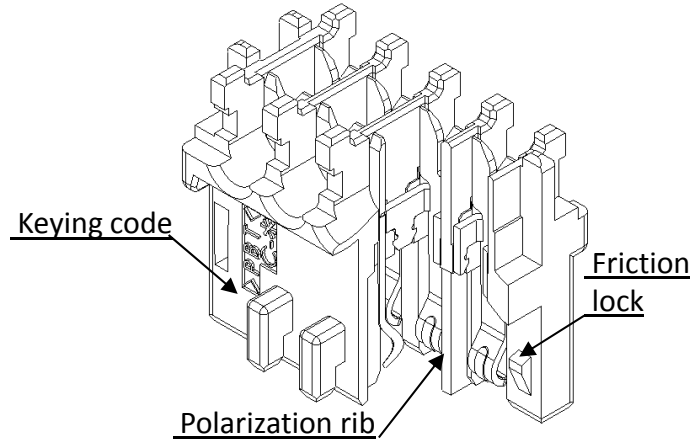


Model No.
**RSXA-D0.38S-F-K#
<ul style="list-style-type: none"> <li>** represents the circuit number (02, 03, ... 10)</li> <li># represents the keying code depending on circuit number (first and last key will be removed for friction lock)</li> <li>No polarization rib or end wall</li> <li>Friction lock configuration</li> </ul>

**RoHS2 compliance** This product displays (LF)(SN) on a label.  
 Note: Contact JST for other configurations if necessary  
 Note : For Circuit 11 to 20, contact JST sales person for availability and lead time

# RSXA connector

RAST 2.5 socket assembly friction locks with polarization ribs



Configuration	
Model No.	
<b>**RSXA-D0.38S-F-^F-K#</b>	
<ul style="list-style-type: none"> <li>- ** represents the circuit number (02, 03, ... 10)</li> <li>- # represents the keying code depending on circuit number (first and last key will be removed for end lock)</li> <li>- ^ represents the polarization ribs location</li> <li>- Friction lock configuration</li> </ul>	

**RoHS2 compliance** This product displays (LF)(SN) on a label.

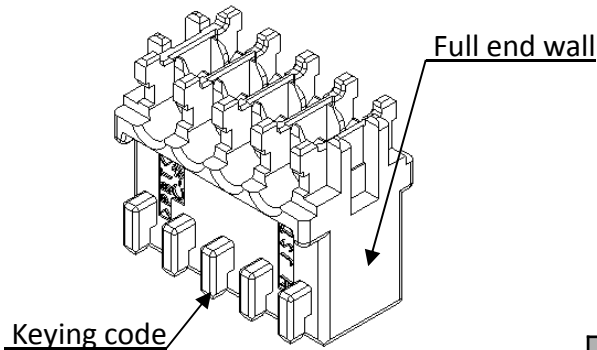
Note: Contact JST for other configurations if necessary

Note : For Circuit 11 to 20, contact JST sales person for availability and lead time

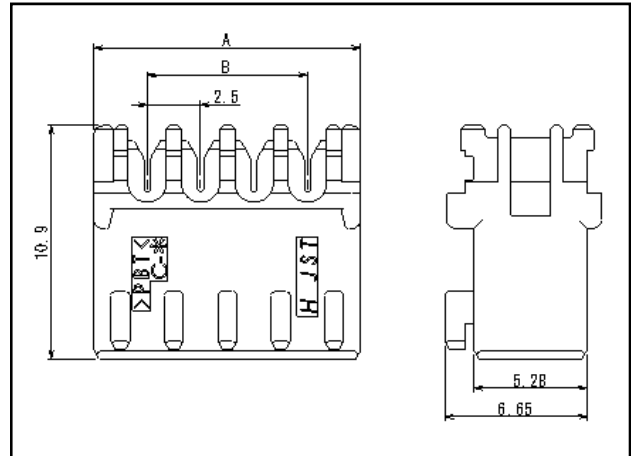
# RSXA connector

## RAST 2.5 socket assembly full end walls

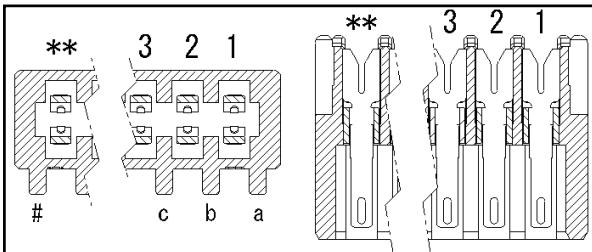
- Complies with RAST 2.5 standard
- 2 – 10 circuits
- Variable keying option available
- Applicable wire size AWG#24~ 22



Material
Housing: PBT, UL94V-0 (natural) Contact: Phosphor bronze, tin-plated



Number of Circuits (n)	Model No.	Dimensions (mm)	
		A	B
2	02RSXA-D0.38S-1-F2F	7.48	2.5
3	03RSXA-D0.38S-1-F3F	9.98	5.0
4	04RSXA-D0.38S-1-F4F	12.48	7.5
5	05RSXA-D0.38S-1-F5F	14.98	10.0
6	06RSXA-D0.38S-1-F6F	17.48	12.5
7	07RSXA-D0.38S-1-F7F	19.98	15.0
8	08RSXA-D0.38S-1-F8F	22.48	17.5
9	09RSXA-D0.38S-1-F9F	24.98	20.0
10	10RSXA-D0.38S-1-F10F	27.48	22.5



Model No.
**RSXA-D0.38S-1-F*F-K#
<ul style="list-style-type: none"> <li>- ** represents the circuit number (02, 03, ... 10)</li> <li>- # represents the keying code depending on circuit number</li> <li>- * represents circuit number ( 2, 3, ...10)</li> <li>- No polarization rib</li> <li>- Full end walls configuration</li> </ul>

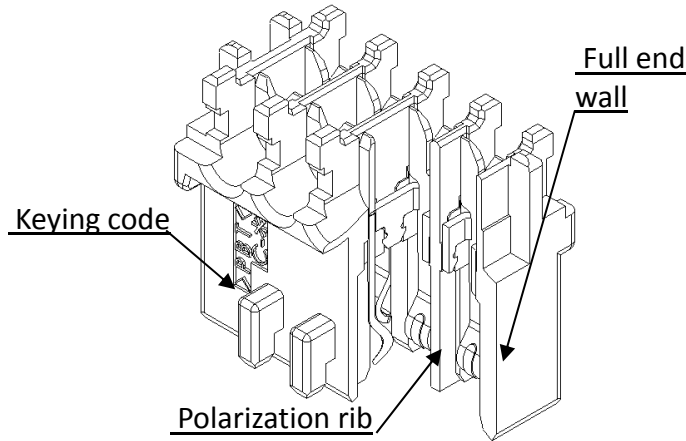
**RoHS2 compliance** This product displays (LF)(SN) on a label.

Note: Contact JST for other configurations if necessary

Note : For Circuit 11 to 20, contact JST sales person for availability and lead time

# RSXA connector

RAST 2.5 socket assembly full end walls with polarization ribs



Configuration
Model No.
<p><b>**RSXA-D0.38S-1-F^F*F-K#</b></p>
<ul style="list-style-type: none"> <li>- ** represents the circuit number (02, 03, ... 10)</li> <li>- # represents the keying code depending on circuit number (first and last key will be removed for end lock)</li> <li>- * represents circuit number ( 2, 3, ...10)</li> <li>- ^ represents the polarization ribs location</li> <li>- Full end walls configuration</li> </ul>

**RoHS2 compliance** This product displays (LF)(SN) on a label.

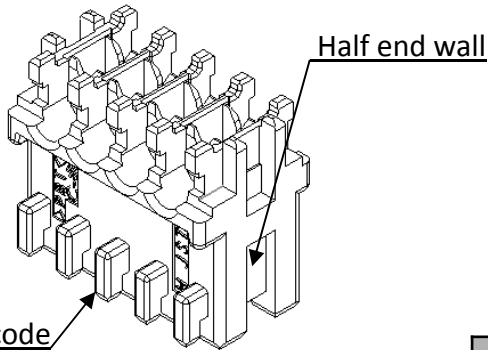
Note: Contact JST for other configurations if necessary

Note : For Circuit 11 to 20, contact JST sales person for availability and lead time

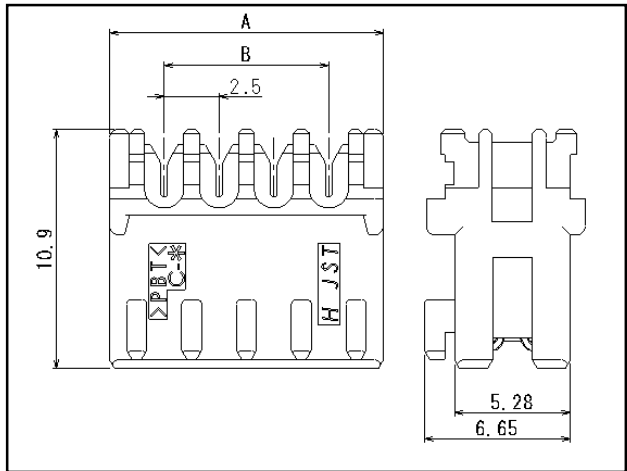
# RSXA connector

## RAST 2.5 socket assembly half end walls

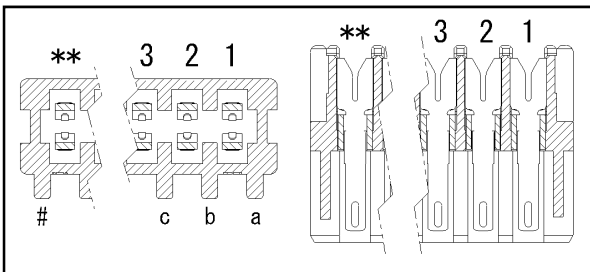
- Complies with RAST 2.5 standard
- 2 – 10 circuits
- Variable keying option available
- Applicable wire size AWG#24~ 22



Material
Housing: PBT, UL94V-0 (natural) Contact: Phosphor bronze, tin-plated



Number of Circuits (n)	Model No.	Dimensions (mm)	
		A	B
2	02RSXA-D0.38S-1-H2H	7.48	2.5
3	03RSXA-D0.38S-1-H3H	9.98	5.0
4	04RSXA-D0.38S-1-H4H	12.48	7.5
5	05RSXA-D0.38S-1-H5H	14.98	10.0
6	06RSXA-D0.38S-1-H6H	17.48	12.5
7	07RSXA-D0.38S-1-H7H	19.98	15.0
8	08RSXA-D0.38S-1-H8H	22.48	17.5
9	09RSXA-D0.38S-1-H9H	24.98	20.0
10	10RSXA-D0.38S-1-H10H	27.48	22.5

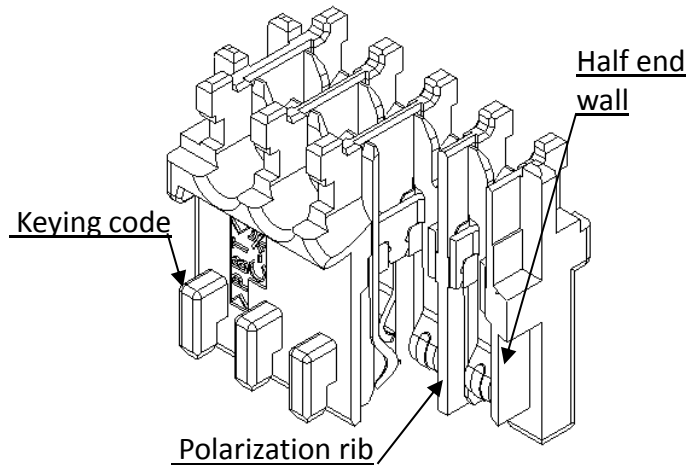


Model No.
**RSXA-D0.38S-1-H*H-K#
<ul style="list-style-type: none"> <li>** represents the circuit number (02, 03, ... 10)</li> <li># represents the keying code depending on circuit number</li> <li>* represents circuit number ( 2, 3, ...10)</li> <li>No polarization rib</li> <li>Half end walls configuration</li> </ul>

**RoHS2 compliance** This product displays (LF)(SN) on a label.  
 Note: Contact JST for other configurations if necessary  
 Note : For Circuit 11 to 20, contact JST sales person for availability and lead time

# RSXA connector

RAST 2.5 socket assembly half end walls with polarization ribs



Configuration
Model No.
<p><b>**RSXA-D0.38S-1-H^F*H-K#</b></p>
<ul style="list-style-type: none"> <li>- ** represents the circuit number (02, 03, ... 10)</li> <li>- # represents the keying code depending on circuit number (first and last key will be removed for end lock)</li> <li>- * represents circuit number ( 2, 3, ...10)</li> <li>- ^ represents the polarization ribs location</li> <li>- Half end walls configuration</li> </ul>

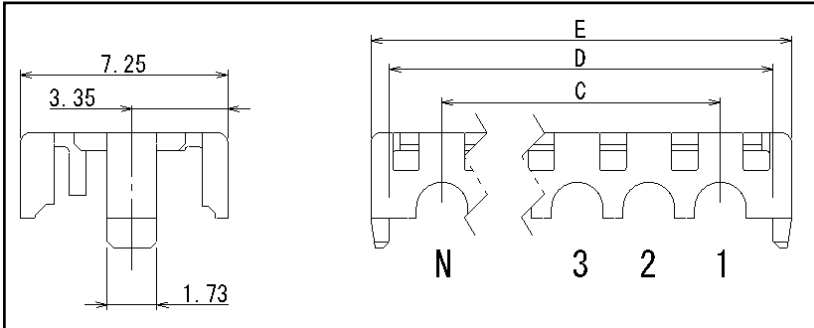
**RoHS2 compliance** This product displays (LF)(SN) on a label.

Note: Contact JST for other configurations if necessary

Note : For Circuit 11 to 20, contact JST sales person for availability and lead time

# RSXA connector

## Cover



### Material

Housing: Nylon 66, UL94V-0 (natural)

No of Circuits	Model No.	Dimensions (mm)		
		C	D	E
2	RSXAC-02VS	2.5	6.19	7.48
3	RSXAC-03VS	5.0	8.69	9.98
4	RSXAC-04VS	7.5	11.19	12.48
5	RSXAC-05VS	10.0	13.69	14.98
6	RSXAC-06VS	12.5	16.19	17.48
7	RSXAC-07VS	15.0	18.69	19.98
8	RSXAC-08VS	17.5	21.19	22.48
9	RSXAC-09VS	20.0	23.69	24.98
10	RSXAC-10VS	22.5	26.19	27.48

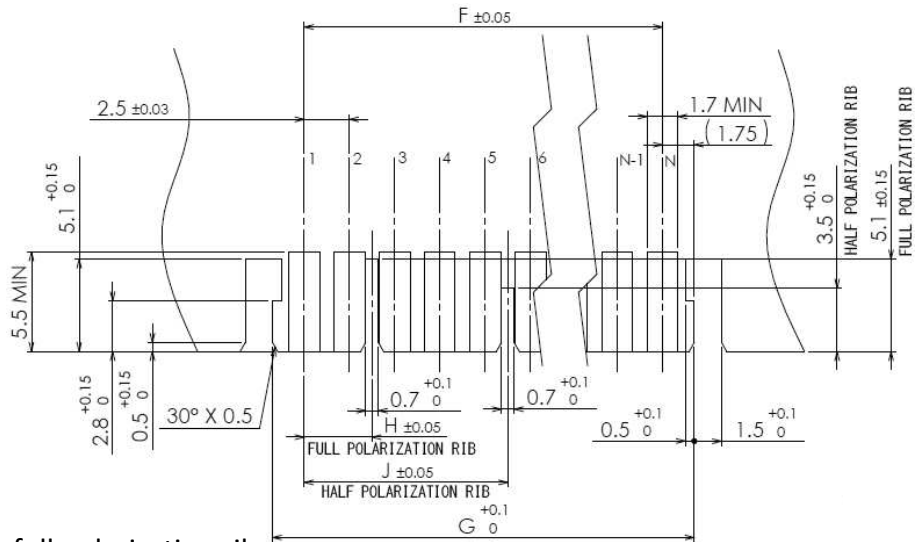
### RoHS2 compliance

Note : For Circuit 11 to 20, contact JST sales person for availability and lead time

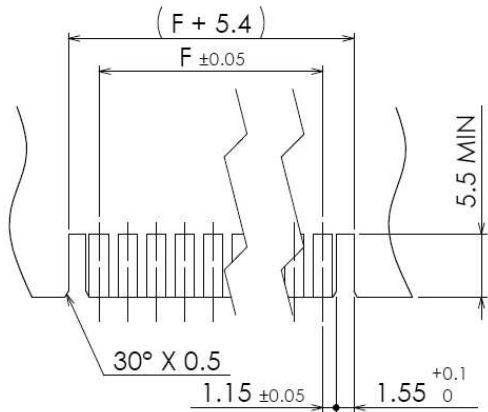


# RSXA connector

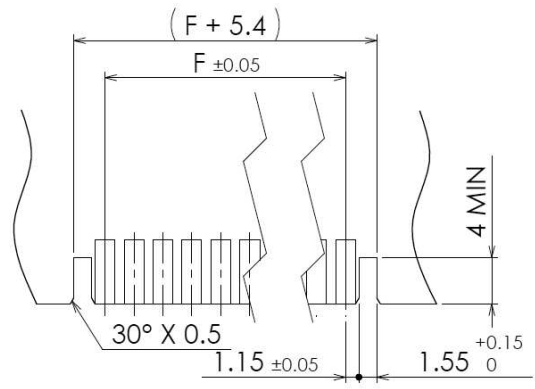
## PC Board layouts



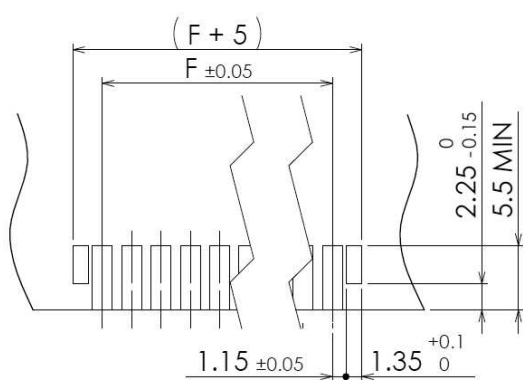
**End lock, half & full polarization rib**



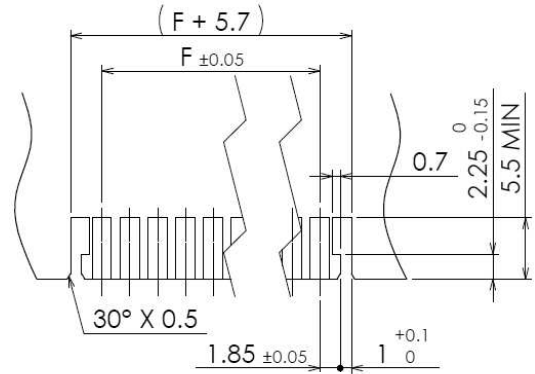
**Full end wall**



**Half end wall**



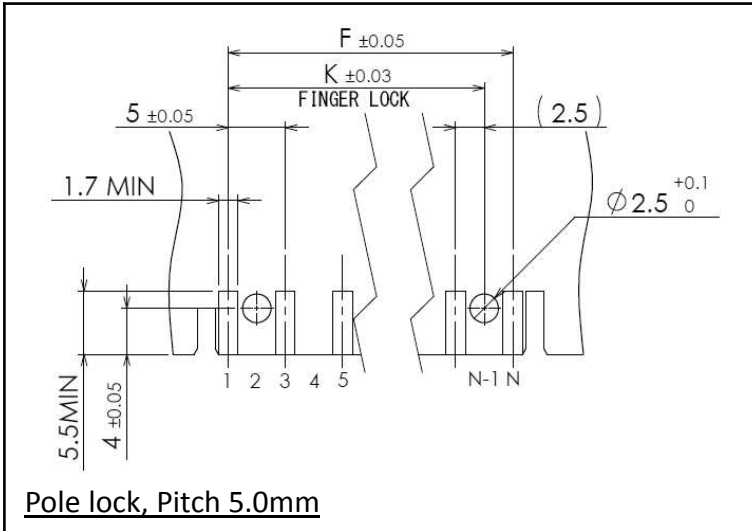
**Friction lock**



**Friction lock & full end wall**

# RSXA connector

## PC Board layouts



<b>F</b>	$(N-1) \times 2.5$	N: Number of circuits
<b>G</b>	$(N-1) \times 2.5 + 3.5$	
<b>H</b>	$(X-1) \times 2.5 + 1.25$	X: Position before the full polarization rib
<b>J</b>	$(Y-1) \times 2.5 + 1.25$	Y: Position before the half polarization rib
<b>K</b>	$(K-1) \times 2.5$	K: Position of the finger lock

# RSXA connector

---

## Termination machines

- Pneumatic Press
  - Model No: MP-2AW
- Termination Unit
  - Model No: MP-2AW-RSX
  - Model No: MP-2LW-RSX (for Daisy Chain)



- Hand Press
  - Model No: HPD-M2A



- Applicator
  - Model No: H2-RSX



- Semi Automatic and Fully Automatic Termination Equipment
  - JST has semi and fully automatic termination equipment to build custom harnesses. Please contact JST sales person for more information.