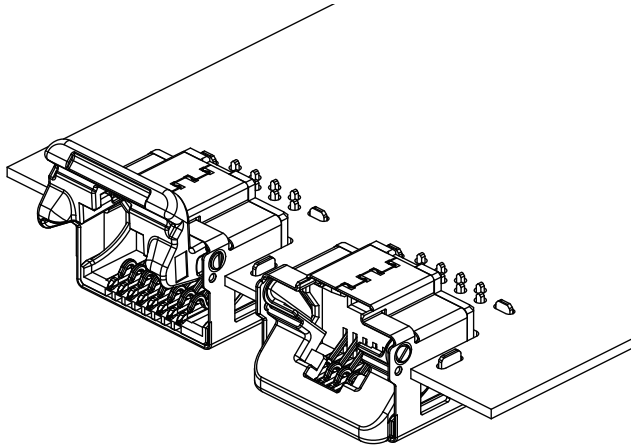


# RJ2 CONNECTOR

An interface connector compatible with RJ45



This is an interface connector compatible with RJ45 and designed as low profile and space saving type while having a one-piece structure with a cover opening and closing structure.

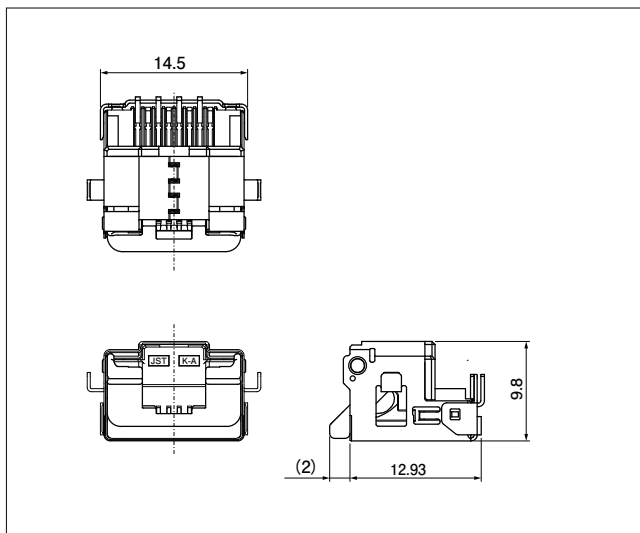
## ■ Features

- Miniaturization and light weight design
- Robust structure
- Durability
- Cover opening and closing structure
- Halogen-free

## ■ Specifications

- No. of circuits: 8-circuit
  - Current rating: 1.3 A AC/DC
  - Voltage rating: 250 V AC/DC
  - Temperature range: -40°C to +85°C  
(including temperature rise in applying electrical current)
  - Applicable PC board thickness: t 0.8 mm
- \* In using the products, refer to “Handling Precaution for Terminals and Connectors” described on our website (Technical documents of Product information page).
- \* RoHS2 compliance
- \* Dimensional unit: mm
- \* Contact JST for details.

### Connector



Model No.	Q'ty/reel
RJ2-8JC-TRA-12K-TF (HF)	400

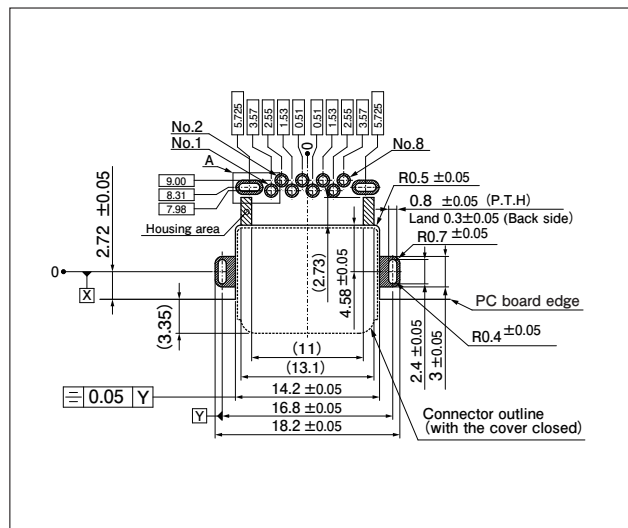
### Material and Finish

Contact: Copper alloy, nickel-undercoated, selective gold-plated, selective tin-plated  
Housing: Thermoplastic resin, black  
Shell: Alloy, nickel-undercoated, selective tin-plated  
Cover: Alloy, copper-undercoated, nickel-plated, black

### RoHS2 compliance

The product listed above are supplied on embossed-tape.

### PC board layout



- Note: 1) The above figure is the figure viewed from the connector mounting side.
- 2) Please contact JST for details as the dimensions shown in the above figure are reference values.