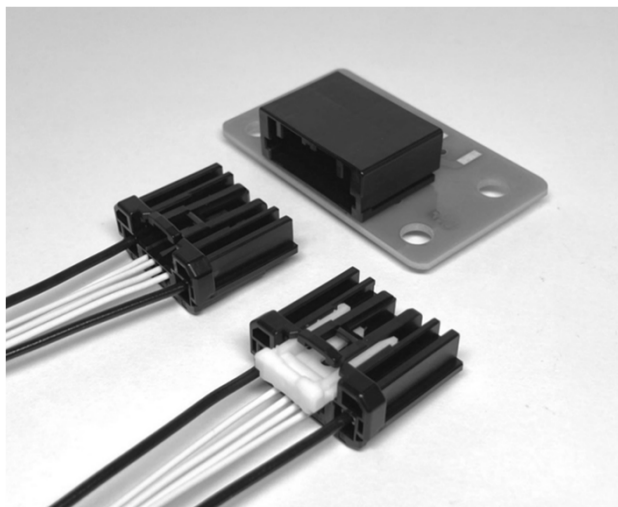
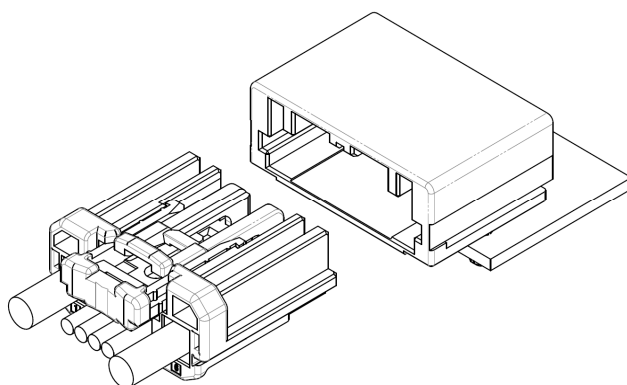


RHU CONNECTOR

Board-to-wire



Unsealed hybrid connector using 0.64 terminal and 2.8 terminal for automotive applications.



■ Features

- **Unsealed Hybrid Connector**
Hybrid structures of using 0.64 terminal and 2.8 terminal.
- **CPA (Connector Position Assurance)**
Optionally selectable with/without CPA
- **High reliability**
Using the tried and true terminal and providing retainer ensures high reliability.

■ Specifications

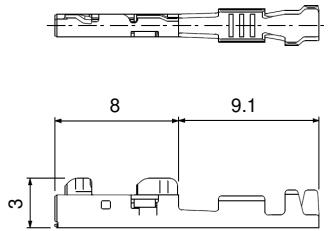
Item	Standard		Condition
● Current rating	0.64 terminal:	5A AC·DC	When 0.5mm ² using single-circuit at the temperature 23±5°C
	2.8 terminal:	25A AC·DC	When 5mm ² using single-circuit at the temperature 23±5°C
● Temperature range	-40°C~+105°C		Including temperature rise in applying an electrical current.
● Applicable wire	0.64 terminal CIVUS 0.35mm ² AVSS/CAVS 0.3mm ² to 0.5mm ²		
	2.8 terminal CIVUS 1.25mm ² TXL 0.85mm ² to 5.0mm ²		
● Contact resistance	0.64 terminal	Initial 8mΩ max After test 16mΩ max	DC 10mA
	2.8 terminal	Initial 3mΩ max After test 10mΩ max	
● Insulation resistance	100MΩ min		DC 500V
● Withstand voltage	No dielectric breakdown		AC 1,000V / minute

*Compliant with ELV/RoHS2.

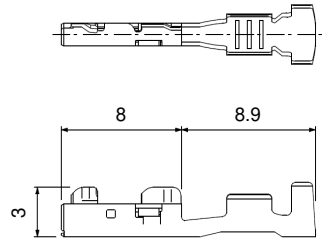
*Contact JST for details.

Female terminal

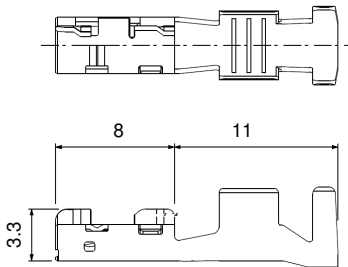
● 0.64 female terminal SSS



● 0.64 female terminal S



● 2.8 female terminal S/M/L



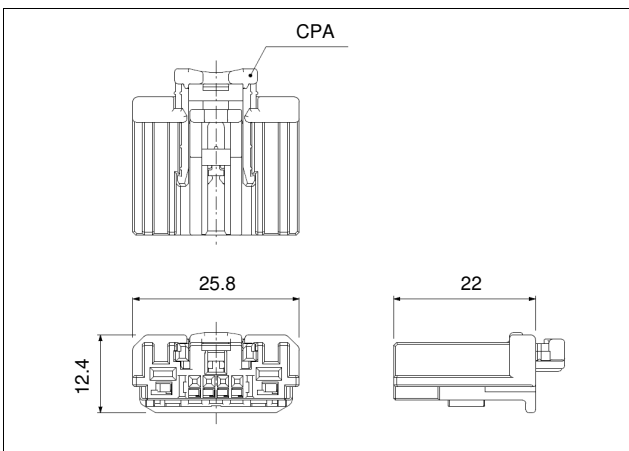
Size	Model No.	Applicable wire range		Q'ty/reel
		Conductor (mm ²)	Insulation O.D. (mm)	
*0.64 SSS	SNAC3-A001T-M0.64	0.13	0.85	6,000
0.64 S	SNAC3-A021T-M0.64	0.3 to 0.5	1.1 to 1.8	5,000
2.8 S	SNAC-A061T-M2.8	0.85 to 1.3	1.8 to 2.3	3,000
2.8 M	SNAC-A081T-M2.8	2.0 to 3.3	2.6 to 3.2	2,500
2.8 L	SNAC-A091T-M2.8	3.0 to 5.0	3.2 to 4.0	2,000

Material and Finish

Copper alloy, tin-plated

Note: * Contact JST about the use of these parts.

Female connector



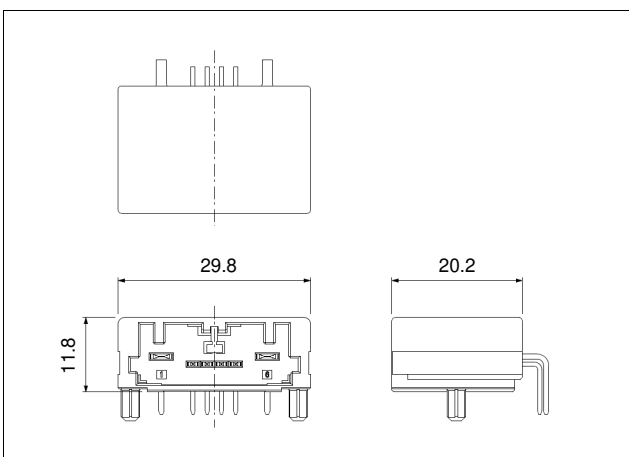
Circuits	CPA	Model No.	Housing Color	Q'ty/box
6	With CPA	06RHU-B-2A	Black	700
	Without CPA	06RHU-B-2A0	Black	800

Material and Finish

Housing : PBT
 Retainer : Glass-filled PBT, Natural (White)
 CPA : PBT, Natural (White)

Note: Color/Key codes other than above-mentioned housing are also available. Contact JST for details.

Male connector



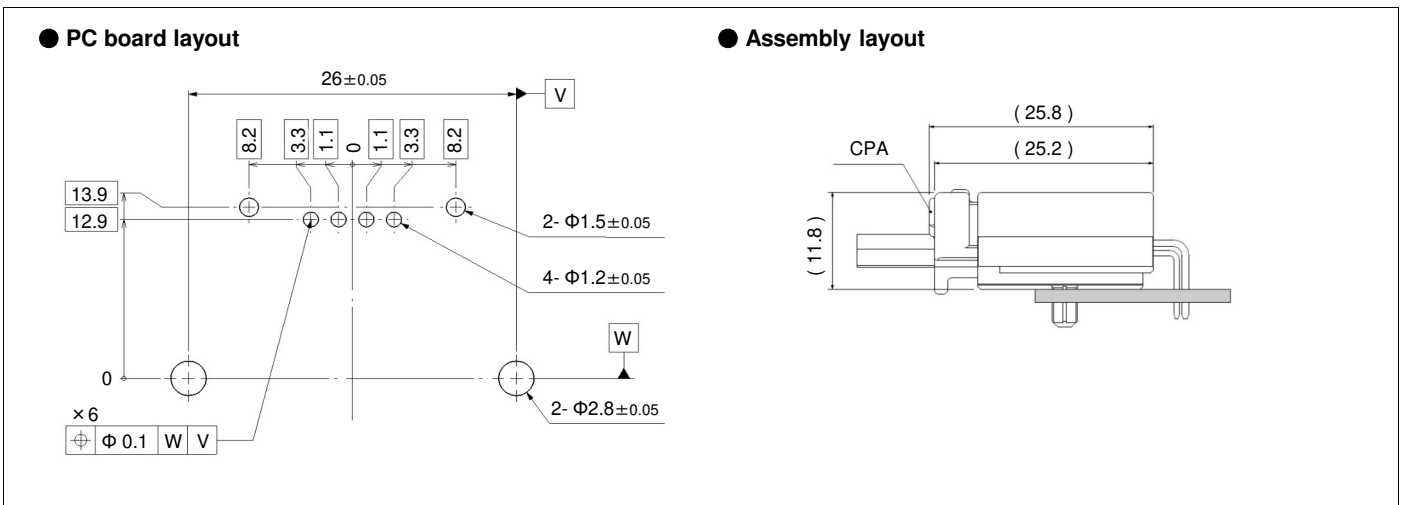
Circuits	Model No.	Housing Color	Q'ty/box
6	S06B-RHUK-2A	Black	720

Material and Finish

Housing : Glass-filled PBT
 0.64 terminal : Brass, tin-plated
 2.8 terminal : Copper alloy, tin-plated

Note: Color/Key codes other than above-mentioned housing are also available. Contact JST for details.

PC board layout, Assembly layout



Crimping machine, Applicator

Strip terminal	Crimping machine	Crimp applicator	Crimp applicator with dies
SNAC3-A001T-M0.64	AP-K2N	MKS-L	APLMK SNAC3-A001-064
SNAC3-A021T-M0.64			APLMK SNAC3-A021-064
SNAC-A061T-M2.8			APLMK SNAC-A061-28
SNAC-A081T-M2.8			APLMK SNAC-A081-28
SNAC-A091T-M2.8			APLMK SNAC-A091-28

Note: 1. Contact JST for details.

2. When crimping operation is conducted using an applicator and die set other than the above, JST cannot guarantee the performance of the terminal.