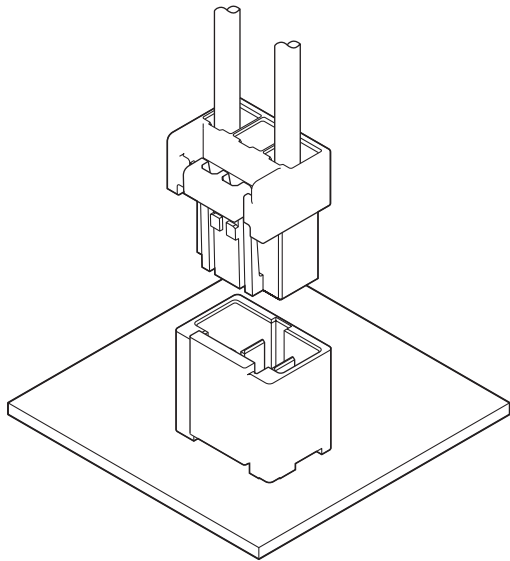


PSI CONNECTOR (High Current Specification D Type)

8.0mm pitch (Pin-omitted)/Disconnectable Crimp style connectors



This is a board-to-wire connector. Low insertion force type contact is adopted and it provides excellent operability. This connector has the secure locking device that has the mechanism for preventing the inverse insertion. The connector suitable for the large electric current was realized by using highly-conducting material. By adopting key shape and multi colors of housing, prevention function of mis-mating with conventional PSI connector is considered.

- Secure lock device
- Mis-mating prevention mechanism by keying (Prevention of mis-mating with conventional PSI connector)
- Finger-friendly design
- Large electric current was realized.

Specifications

- Current rating: 15 A AC, DC (3-circuit without the 2nd pin)
- Voltage rating: 600 V AC, DC
- Temperature range: -25°C to +85°C
(including temperature rise in applying electrical current)
- Contact resistance: Initial value/ 10 mΩ max.
After environmental tests/ 20 mΩ max.
- Insulation resistance: 1,000 MΩ min.
- Withstanding voltage: 1,500 VAC/minute
- Applicable wire: AWG #16

Do not branch in parallel current which exceeds the rated current (more than 15 A with AWG #16). If branched in parallel, current imbalance or other problems may develop. If it is absolutely necessary to branch such a large current in parallel, design the circuits without causing any imbalance and provide an extra margin for each circuit.

* In using the products, refer to "Handling Precaution for Terminal and Connector" described on our website (Technical documents of Product information page).

* Contact JST for details.

* Compliant with RoHS.

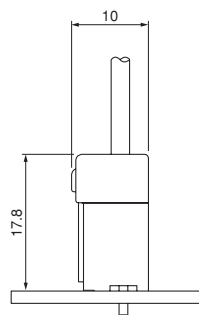
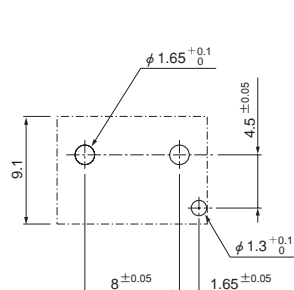
Standards

Recognized E 60389

Certified LR 20812

R50259465

PC board layout and Assembly layout



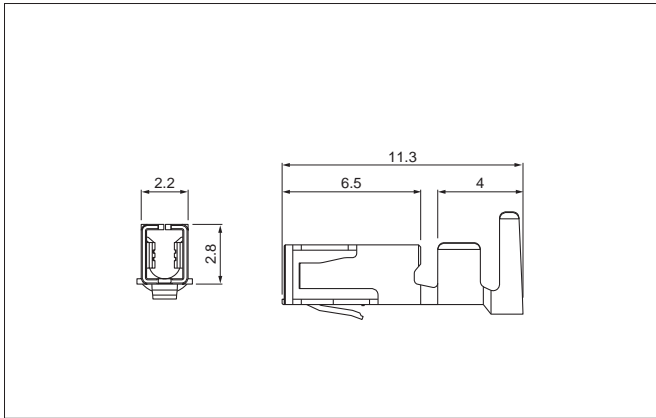
Note: 1. The above figure is the figure viewed from the connector mounting side.

2. Tolerances are non-cumulative: ± 0.05 mm for all centers.

3. Hole dimensions differ according to the type of PC board and piercing method. The dimensions above should serve as a guideline. Contact JST for details.

PSI CONNECTOR (High Current Specification/D Type)

Socket contact



Model No.	Applicable wire		Insulation O.D. (mm)	Q'ty/reel
	mm ²	AWG#		
SPSI-41T-M1.1	0.5 ~1.25	20~16	1.7~3.2	2,600

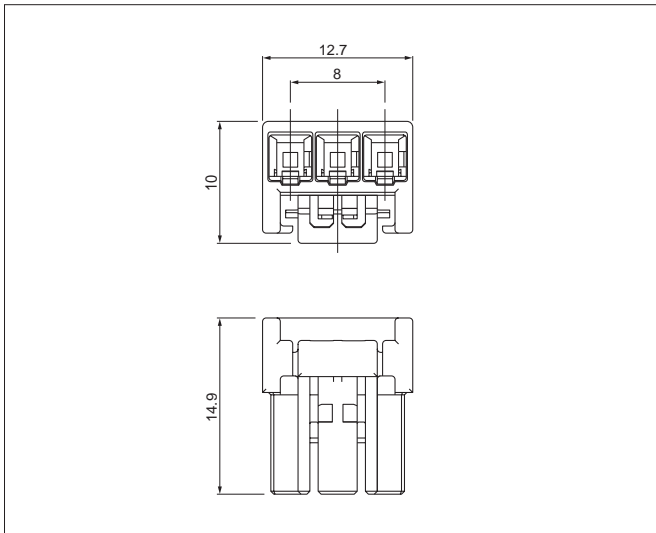
Material and Finish
Copper alloy, tin-plated

RoHS compliance

Contact	Crimping machine	Applicator		
		Crimp applicator	Dies	Crimp applicator with dies
SPSI-41T-M1.1	AP-K2N	MKS-L	MK/SPSI/M-41-11	APLMK SPSI/M41-11
		—	—	—

Note: Contact JST for fully automatic crimping applicator.

Socket contact

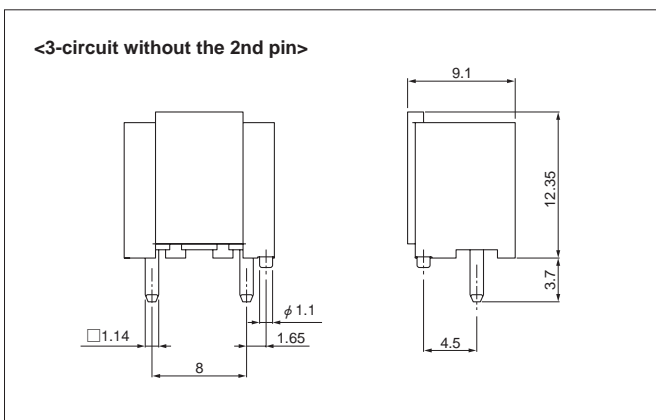


No. of circuits	Keying	Model No.	Q'ty/box
3	D	PSIP-03V-K-D	300

Material
Glass-filled PBT, UL94V-0, black

RoHS compliance

Header



No. of circuits	Keying	Model No.	Q'ty/box
3 No.2 pin omitted	D	B2(8.0)B-PSIK-NC-D1	300

Material and Finish
Post: Copper alloy, copper-undercoated, tin-plated (reflow treatment)
Header: Glass-filled PA 66, UL94V-0, black

RoHS compliance This product displays (LF)(SN) on a label.

PSI CONNECTOR (High Current Specification/D Type)

Model number identification

Socket contact

S PSI - 41 T - M 1.1

Form: S --- Strip form
 Series name
 Applicable wire: 41 --- AWG #20 to #16
 Surface finish: T --- Tin-plated
 Material: M --- Copper alloy
 Terminal size

Socket housing

PSI P - 03 V - K - D

Series name
 Part name: P --- Socket housing
 No. of circuits: 3
 Flammability: V --- UL94V-0
 Color indication: K --- Black
 Indication of keying code: D --- D type (Black)

Header

B 2 (8.0) B - PSI K - N C - D 1

Assembly style: B --- Top entry type
 No. of circuits: 2
 Pin-omitted state: 3-circuit without the 2nd pin (8.0 mm pitch)
 Part name
 Series name
 Color indication: K --- Black
 Indication of material: N --- PA 66
 Indication of post material: C --- Copper
 Indication of keying code: D --- D type (Black)
 Boss presence/absence: 1 --- With boss

Contact position location numbers

Socket housing	Header
Single <3-circuit>	Single <3-circuit without the 2nd pin>

Pin-omitted Header

Socket housing

Shape	D type		
Mating part			
Model No.	3-circuit	Black	PSIP-03V-K-D

Header

Shape	D type		
Mating part			
Model No.	3-circuit w/o 2nd pin	Black	B2(8.0)B-PSIK-NC-D1