

MWT CONNECTOR

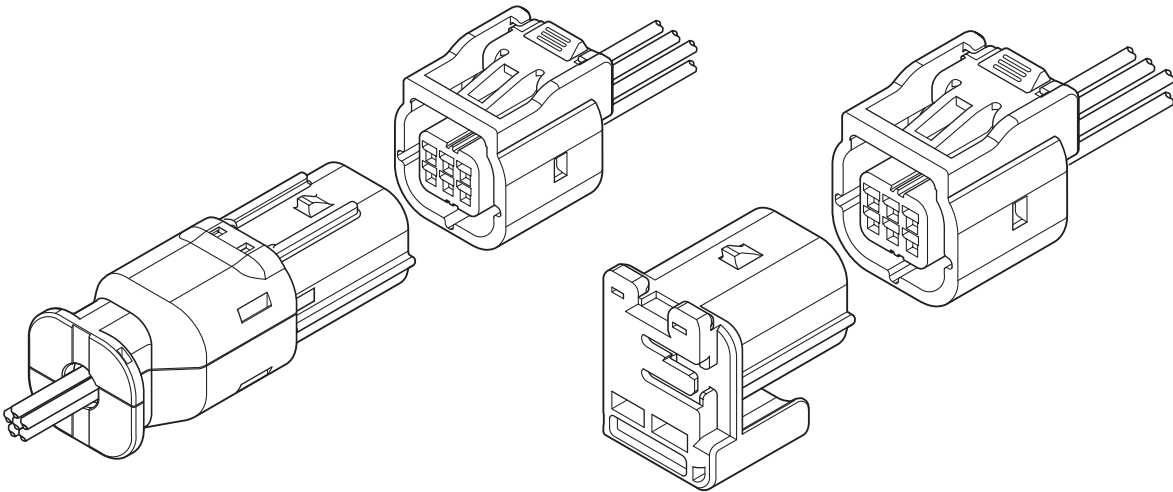
Wire-to-wire/Sealed connector



Features

- **Compliant with the ISO19689**
Compliant with the ISO19689 which is the Motorcycle OBD standard connector.
- **Individual Sealed Connector**
Individual sealed connector with 0.64 mm terminal, 3.0 mm X 3.0 mm pitch.
- **Pre-set Retainer**
Simple assemble harnesses, due to there is no necessity to add retainer afterwards.
- **Selectable to the installation direction to the body**
The protection cover is designed to set the connector in a vertical or horizontal direction on a bracket of the body with using a clip structure.

Compliant with the ISO 19689, 0.64 mm individual waterproof, 6 pole wire to wire connection connector. The retainer is a pre-set type for both female and male housing. Protection cover to female connector from water and dust is selectable to the installation direction.

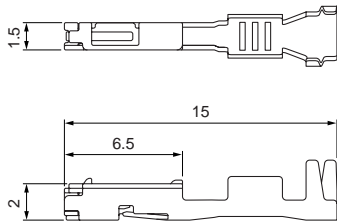


Specifications

- Current rating: 3.5 A DC (*1), 7.5 A DC (*2)
 - Temperature range: -40°C to +105°C
(including temperature rise in applying electrical current)
 - Insulation resistance: 100 M Ω min.
 - Withstanding voltage: 1,000 VAC/minute
 - Applicable wire: AVSS
0.3 mm², 0.5 mm²
- *1. Temperature 20 \pm 5°C (full circuits)
*2. Temperature 20 \pm 5°C (single circuit)

* Compliant with ELV/RoHS2.
* Contact JST for details.

Female terminal

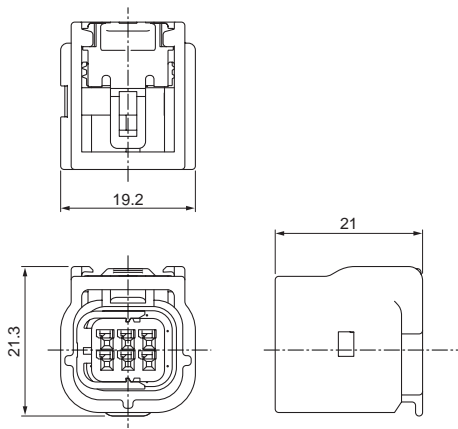


Model No.	Applicable wire range		Q'ty/reel
	Conductor (mm ²)	Insulation O.D. (mm)	
SMWTS-A021T-C064	0.3 to 0.5	1.4 to 1.7	5,000

Material and Finish

Copper alloy, tin-plated (reflow treatment)

Female connector

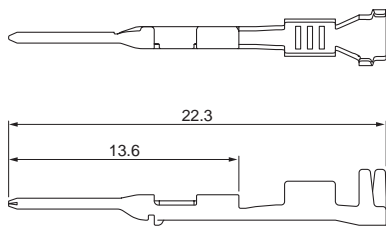


Circuits	Model No.	Q'ty/box
6	MWTRB-06-1A-R	750

Material and Finish

Housing : Glass-filled PBT, Red
Retainer: Glass-filled PBT, Black
Inner seal: Silicone, Brown

Male terminal

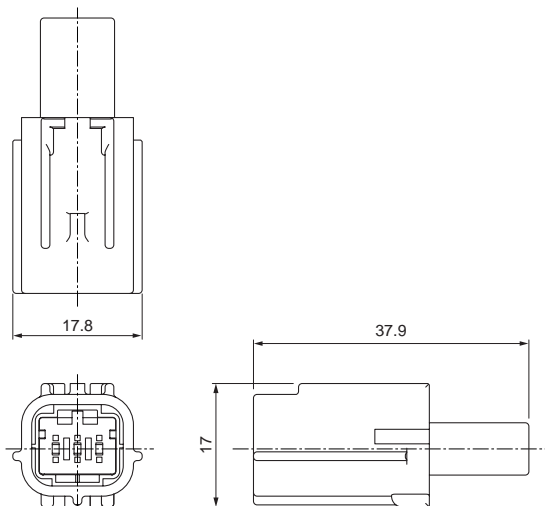


Model No.	Applicable wire range		Q'ty/reel
	Conductor (mm ²)	Insulation O.D. (mm)	
SMWTWS-A021T-064	0.3 to 0.5	1.4 to 1.7	5,500

Material and Finish

Brass, tin-plated (reflow treatment)

Male connector



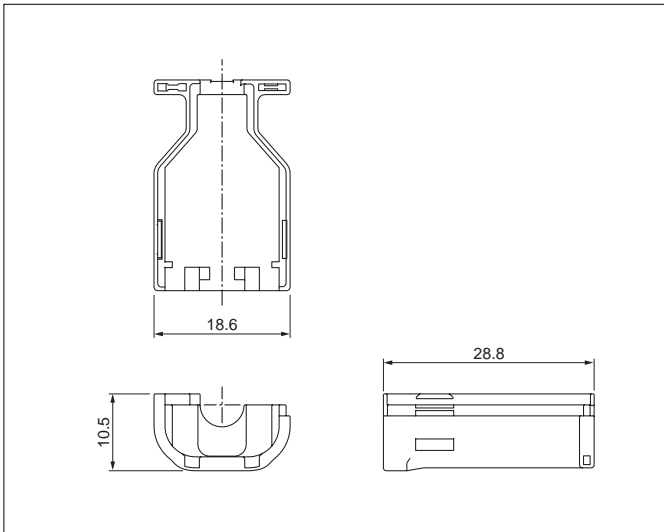
Circuits	Model No.	Q'ty/box
6	MWTPB-06-1A-R	750

Material and Finish

Housing: Glass-filled PBT, Red
Retainer: PBT, Black

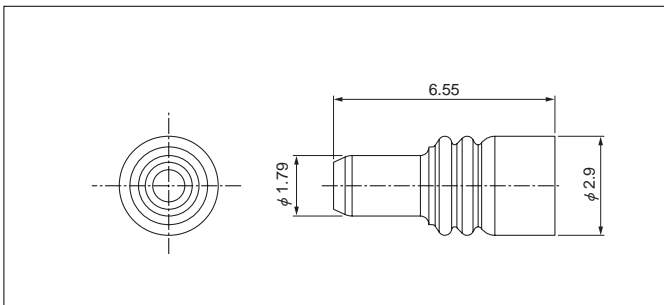
MWT CONNECTOR

Harness cover



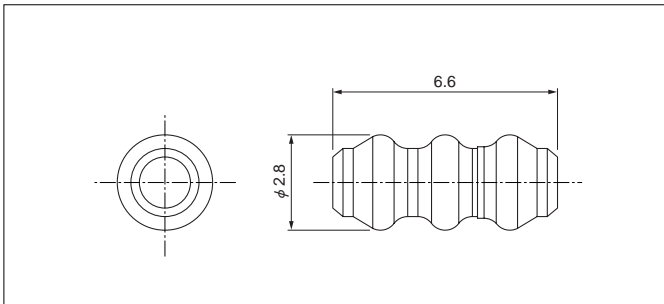
Circuits	Model No.	Q'ty/box
6	MWTWC-06-1A-R	1,800
Material and Finish		
PBT, Red		

Wire seal



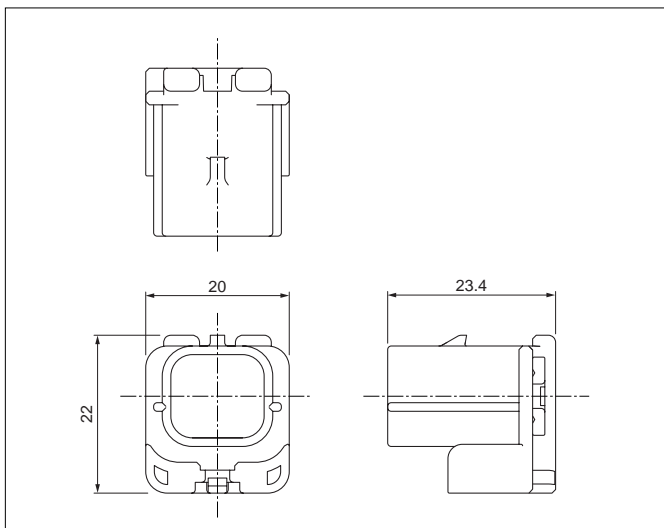
Model No.	Applicable wire range		Q'ty/box
	Conductor (mm ²)	Insulation O.D. (mm)	
A03WS-MWT-N	0.3 to 0.5	1.4 to 1.7	10,000
Material and Finish			
Silicone, Brown			

Dummy plug



Model No.	Q'ty/box
MWTDPS-1A-DN	10,000
Material and Finish	
Silicone, Dark brown	

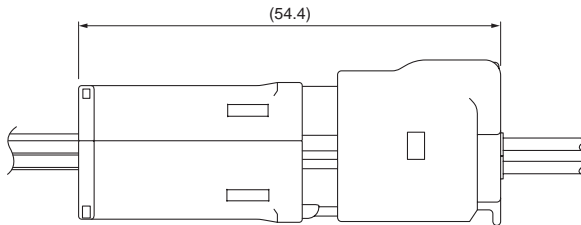
Protection cover



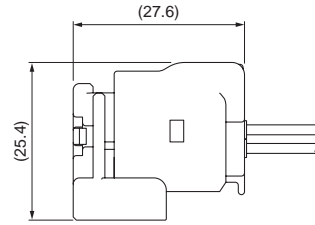
Circuits	Model No.	Q'ty/box
6	MWTPC-06-1A-R	750
Material and Finish		
PBT, Red		

Assembly layout

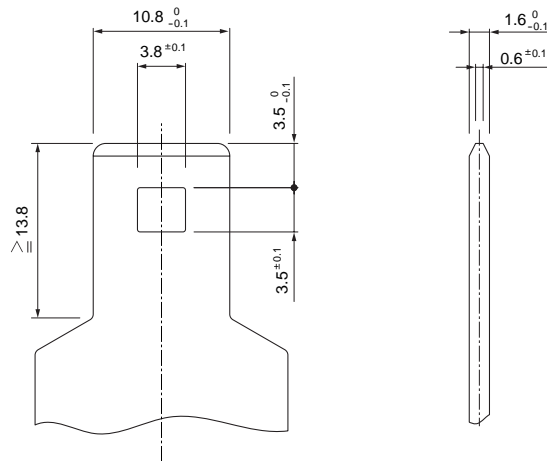
• Male connector assembly



• Protection cover assembly



Bracket layout



Recommended bracket layout

Crimping machine, Applicator

Strip terminal	Crimping machine	Crimp applicator MKS-L	
		Dies	Crimp applicator with dies
SMWTS-A021T-C064	AP-K2N	MK/SMWTS-A021-064	APLMK SMWTS-A021-064
SMWTWS-A021T-064		MK/SMWTWS-A021-064	APLMK SMWTWS-A021-064

Note: When crimping operation is conducted using an applicator and die set other than the above, JST cannot guarantee the performance of the terminal.