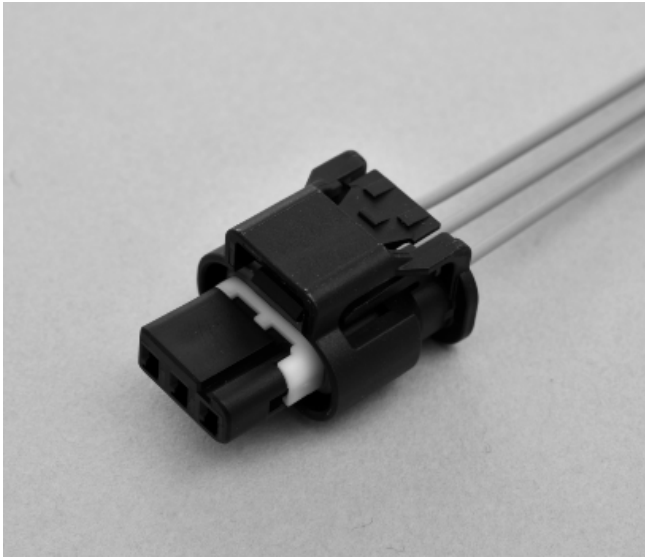


# MSAZCONNECTOR

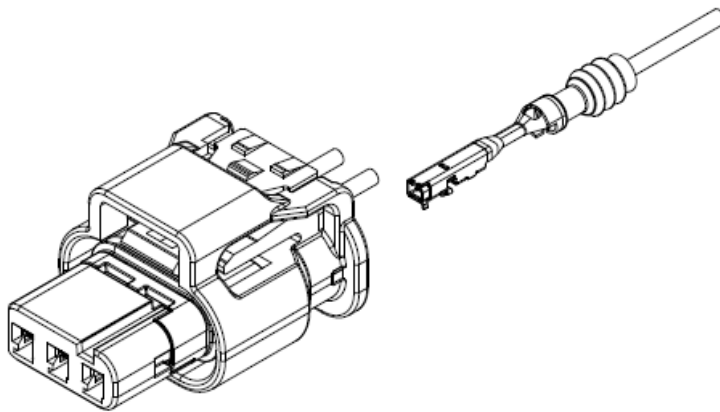
For Interface/Sealed connector



1.2 mm sealed connector compliant with the Standard USCAR Footprints.

## ■ Features

- 1.2 mm Single Sealed Connector
- Compliant with the Standard USCAR Footprints
- Key Option(USCAR Footprint) is available
- Water / Dust protection

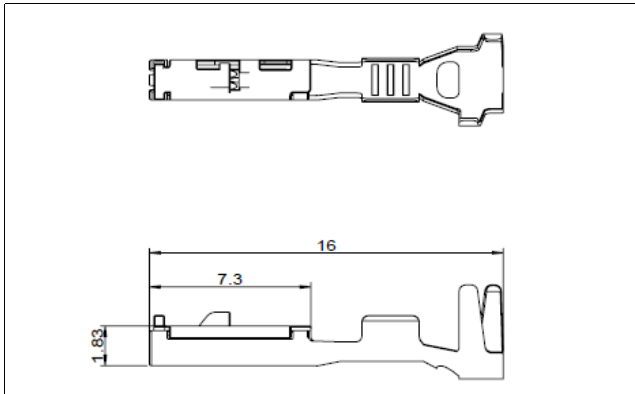


## ■ Specifications

- Current rating : 7 A AC, DC max. (0.3 mm<sup>2</sup>, Single circuit)
- Withstanding voltage : 1,000 VAC/minute
- Temperature range : -40°C to +125°C (AESSXF)
- Contact resistance : Initial value/ 8 mΩ max.  
After environmental tests/ 8 mΩ max.
- Insulation resistance : 100 MΩ min
- Applicable wire : AESSXF / AVSS  
0.3 mm<sup>2</sup>  
FLRY-A  
0.35 mm<sup>2</sup>

\* Compliant with ELV/RoHS2.  
\* Contact JST for details.

## Female terminal

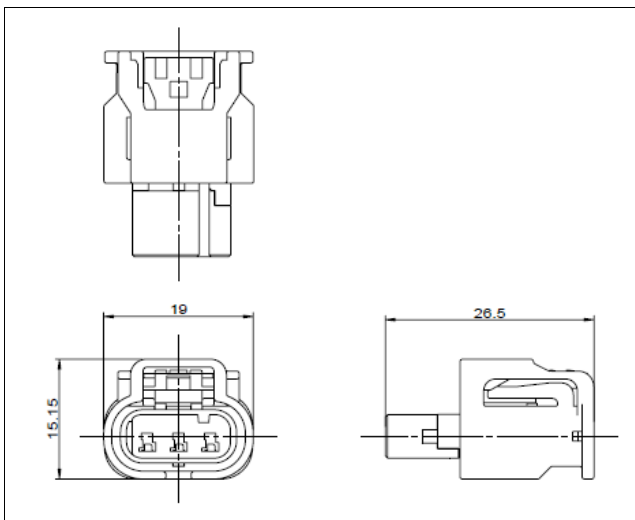


Model No.	Applicable wire range		Q'ty/reel
	Conductor (mm <sup>2</sup> )	Insulation O.D. (mm)	
<b>SMSAS-B011A-M1.2</b>	0.3	≤1.4	5,000

### Material and Finish

Copper alloy, nickel-undercoated, Contact area; silver-plated  
Barrel area; tin-plated

## Female connector

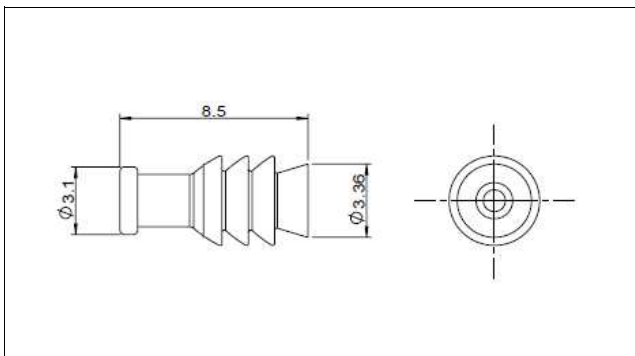


Circuits	Model No.	Q'ty/box
3	<b>MSAZRB-03-1A-K</b>	250

### Material and Finish

Female housing: Glass-filled PA, Black  
Hood housing: Glass-filled PA, Black  
Inner seal: Silicone, Red Brown  
Retainer: Glass-filled PBT, Natural

## Wire seal



Model No.	Applicable wire range		Q'ty/box
	Conductor (mm <sup>2</sup> )	Insulation O.D. (mm)	
<b>A03WS-MSAZ-E</b>	0.3	1.4	2,000

### Material and Finish

Silicone, Blue

## Crimping machine, Applicator

Strip terminal	Crimping machine	Crimp applicator MKS-L	
		Dies	Crimp applicator with dies
<b>SMSAS-B011A-M1.2</b>	AP-K2N	MK/SMSAS-A0( )1-12	APLMK SMSAS-A0( )1-12

Note: When crimping operation is conducted using an applicator and die set other than the above, JST cannot guarantee the performance of the terminal.