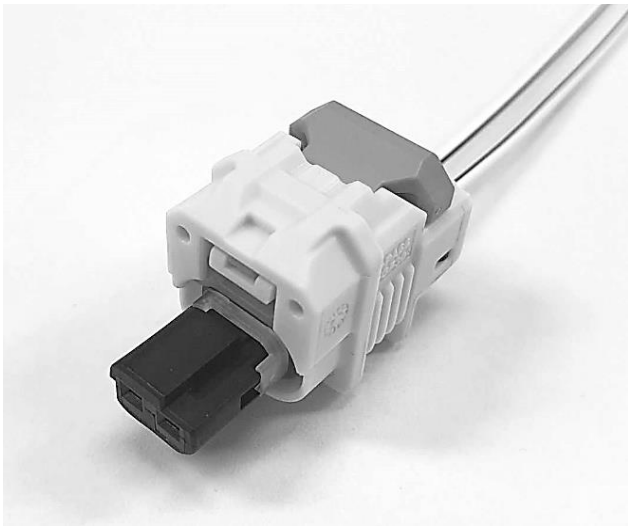


MSAI CONNECTOR

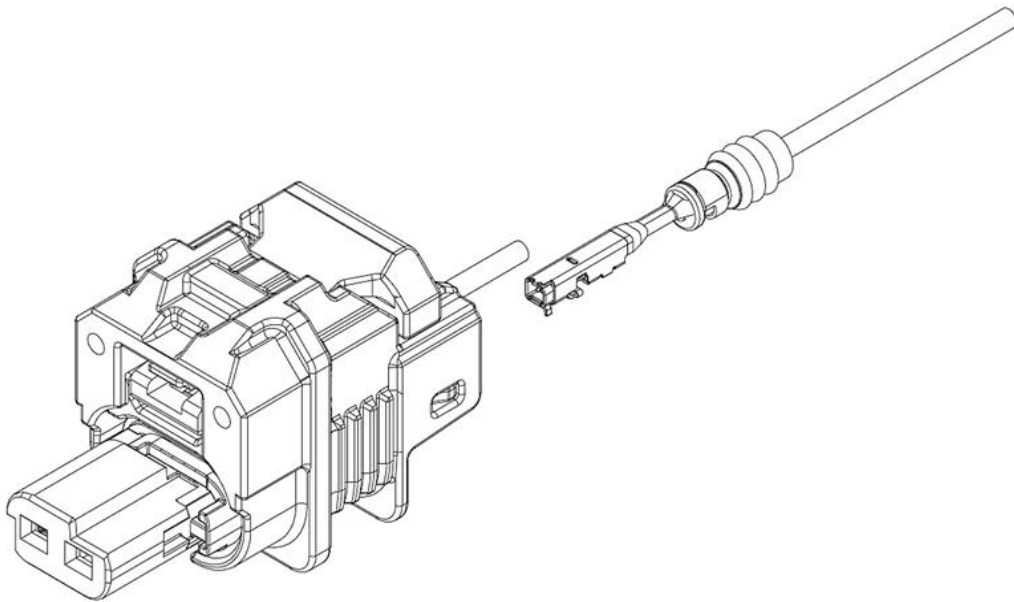
For Interface/ Sealed connector



1.2 mm Sealed Connector compliant with the Standard USCAR Footprints.
This connector has the various colors/key codes corresponding to needs.

■ Features

- 1.2 mm Single Sealed Connector
- Key option(USCAR Footprint) is available
- Compliant with the Standard USCAR Footprints
- Go/No-Go Mating System
Compression spring prevents half-mating.
- Applied Interface
Drawing No. : EWCAP 120-S-002-1-Z01, Z02

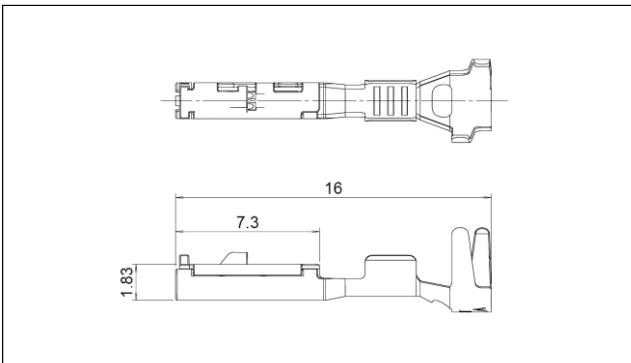


■ Specifications

- Current rating : 5 A AC, DC max.
- Withstanding voltage : 1,000 V AC/minute
- Temperature range : -40 °C to +125 °C
(including temperature rise in applying electrical current)
- Contact resistance : Initial value/ 5 mΩ max.
After environmental tests/ 10 mΩ max.
- Insulation resistance : 100 MΩ min.
- Applicable wire : AESSX-F 0.3 mm² to 0.5 mm²
ATW-FEP 0.3 mm² to 0.5 mm²

*Compliant with ELV/RoHS2.
*Contact JST for details.

Female terminal

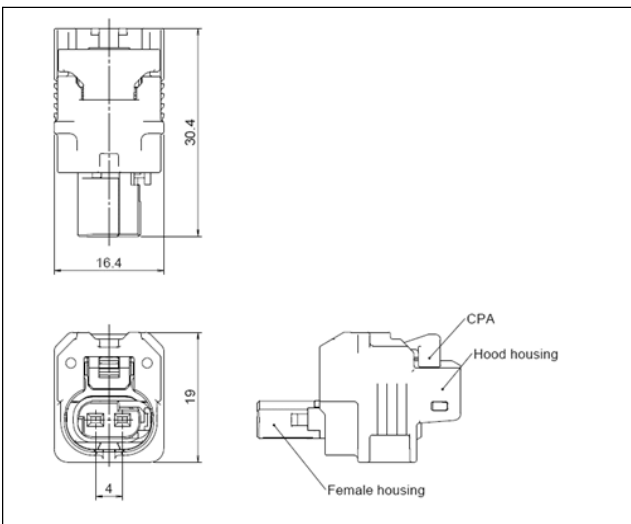


Model No.	Applicable wire range		Q'ty/reel
	Conductor (mm ²)	Insulation O.D. (mm)	
①SMSAS-B031T-M1.2	0.3 to 0.5	1.4 to 1.7	5,000
②SMSAS-B031GF-M1.2	0.3 to 0.5	1.4 to 1.7	5,000

Material and Finish

- ①Copper alloy, tin-plated (reflow treatment)
- ②Copper alloy, nickel-undercoated, Contact area; selective gold-plated Barrel area; tin-plated

Female connector

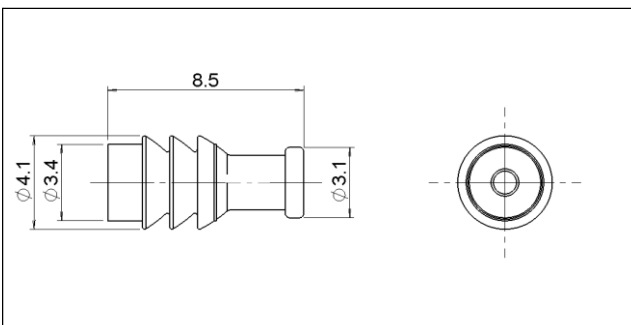


Circuits	Model No.	Female Housing Color	Q'ty/box
2	MSAIRB-02-1SA-Y	White	120
	MSAIRB-02-2HA-Y	Gray	120
	MSAIRB-02-3EA-Y	Blue	120
	MSAIRB-02-4KA-Y	Black	120
	MSAIRB-02-5MA-Y	Green	120
	MSAIRB-02-6NA-Y	Brown	120
	MSAIRB-02-7DVA-Y	Purple	120
	MSAIRB-02-8PKA-Y	Pink	120
	MSAIRB-02-9LGA-Y	Light Green	120

Material and Finish

- Hood housing : Glass-filled PA, Yellow
- Retainer : Glass-filled PA, Natural (White)
- Slider : Glass-filled PA, Natural (White)
- CPA : Glass-filled PA, Orange
- Spring : SUS
- Inner seal : Silicone, Red Brown

Wire seal



Model No.	Applicable wire range		Q'ty/box
	Conductor (mm ²)	Insulation O.D. (mm)	
A03WS-MSAZ-E	0.3 to 0.5	1.4 to 1.7	2,000

Material and Finish

Silicone, Blue

Crimping machine, Applicator

Strip terminal	Crimping machine	Crimp applicator MKS-L	
		Dies	Crimp applicator with dies
SMSAS-B031(-)-M1.2	AP-K2N	MK/SMSAS-A031-12	APLMK SMSAS-A031-12

Note: 1. Contact JST for details.

2. When crimping operation is conducted using an applicator and die set other than the above, JST cannot guarantee the performance of the terminal.