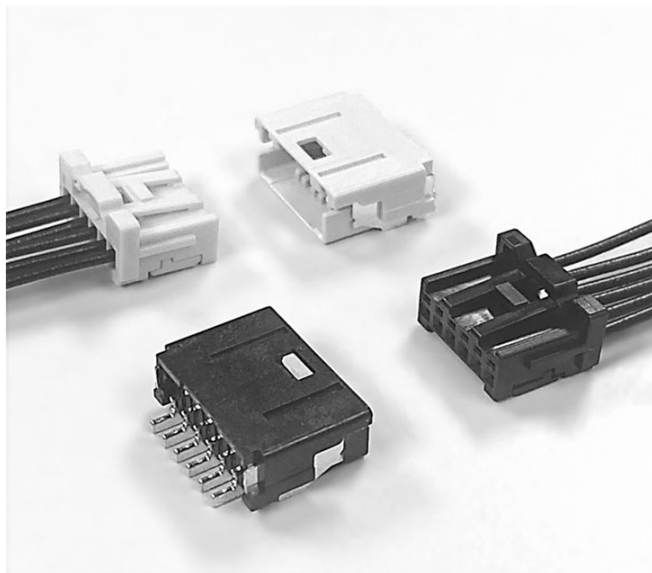


MLH CONNECTOR

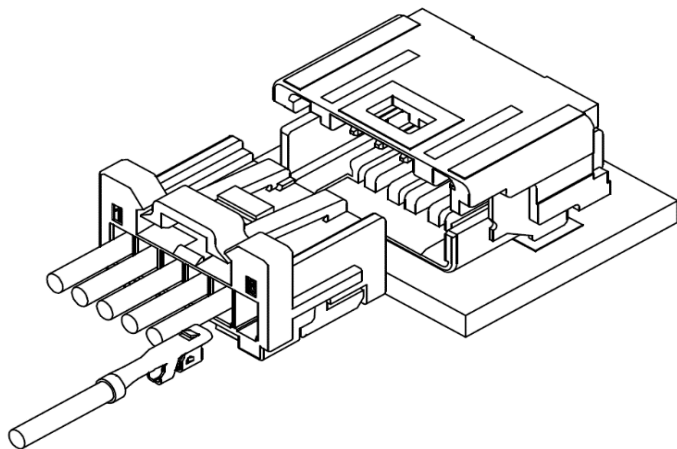
Board-to-Wire

■ Features

- Low profile and compact side entry SMT connector
- One piece female connector and Independent Secondary Lock Terminal Position Assurance (ISL TPA)
- Polarized terminal cavity & connector
- Scooping/Kojiri resistant
- Inertial lock to prevent connector half mating
- Secure locking device
- Multiple keying options



Ultra-miniaturized connection system for automotive usage



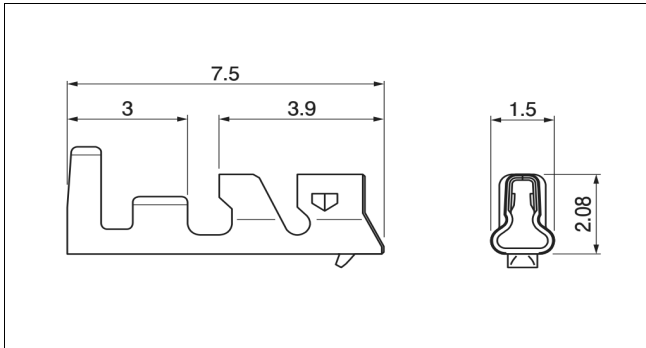
■ Specifications

- Current rating : 3A AC/DC (22 AWG)
- Voltage rating : 14V DC
- Temperature range : -40°C to 100°C
(Includes the rise in temperature when applying an electrical circuit)
- Applicable wire : 0.35mm² (22 AWG)
- Contact resistance : Initial Value/20mΩ max.
After environmental testing
20mΩ max.
- Insulation resistance : 100 MΩ min. (at 500 VDC)

*Compliant with ELV/RoHS2.

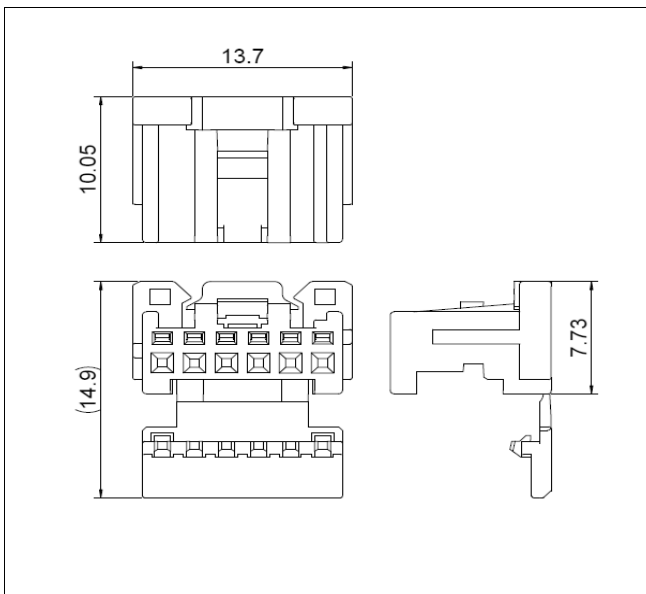
*Contact JST for details.

Female Terminal



Model No.	Applicable wire range		Q'ty/reel
	Conductor (mm ²)	Insulation O.D. (mm)	
SPND-001T-C0.5	0.35	1.5 max.	8,000
Material and Finish			
Copper alloy, tin-plated			

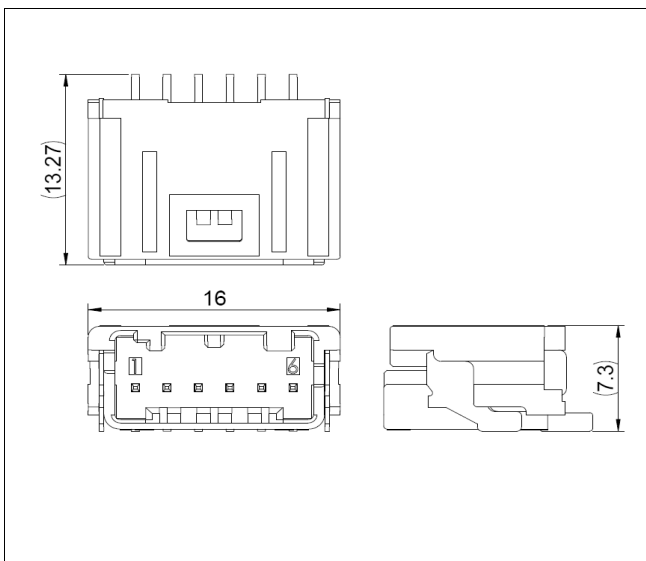
Female Connector



Circuits	Model No.	Housing Color	Q'ty/box
6	MLHP-06A-1AK	Black	4,000
	MLHP-06A-1BS	Natural	4,000
Material			
Housing: PBT			

(Additional keying options available upon request)

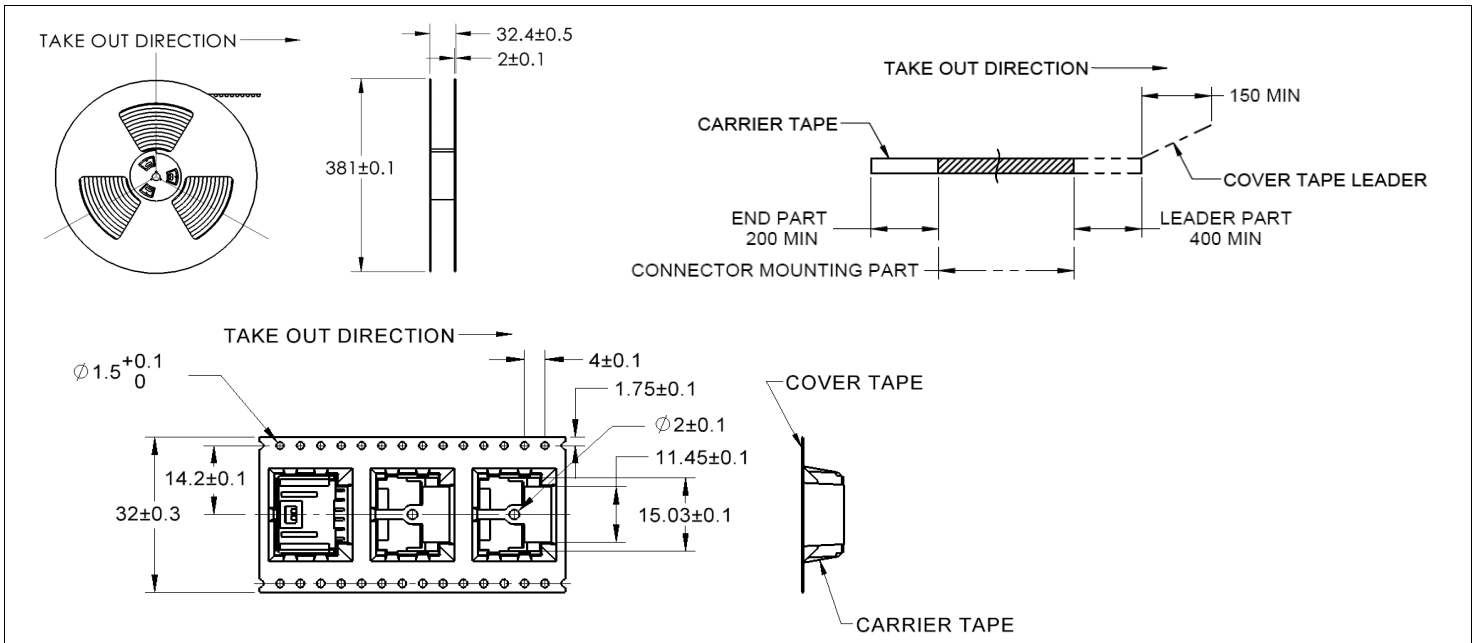
Male Connector



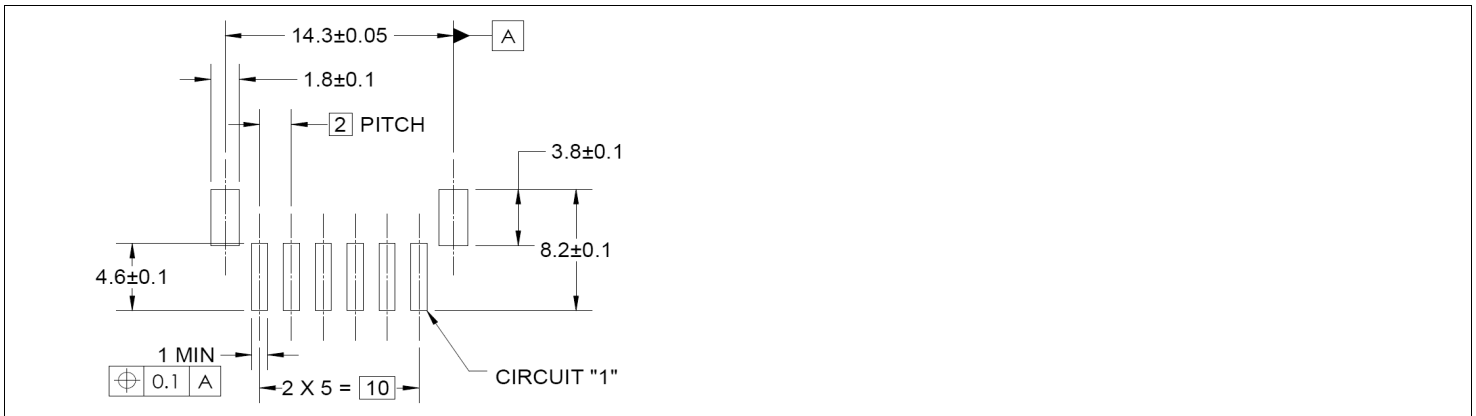
Circuits	Model No.	Housing Color	Q'ty/reel
6	SM06B-MLH-1AK	Black	550
	SM06B-MLH-1BS	Natural	550
Material and Finish			
Housing: Glass-filled LCP			
Pin: Copper alloy, tin-plated			
Reinforcement Tab: Copper alloy, tin-plated			

(Additional keying options available upon request)

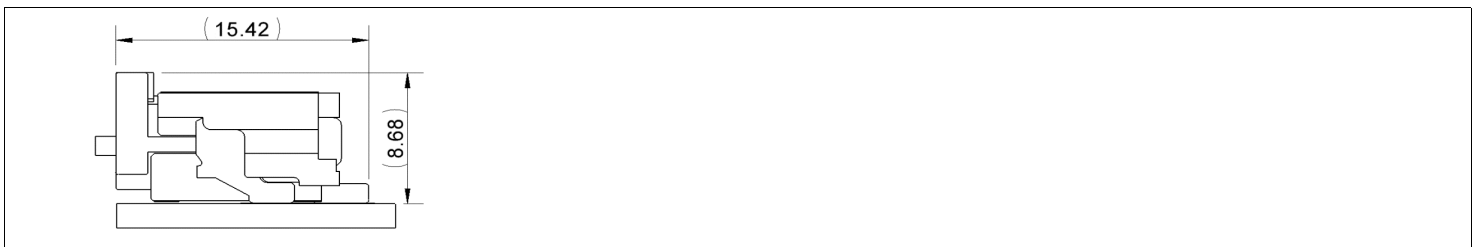
Taping Specifications



PC Board Layout



Assembly Layout



Crimping machine, Applicator

Strip terminal	Crimping machine	Applicator	Crimp applicator with dies
SPND-001T-C0.5	AP-K2N	MKS-L	APLMK SPND001-05

Note: 1. Contact JST for details.

2. When crimping operation is conducted using an applicator and die set other than the above, JST cannot guarantee the performance of the terminal.