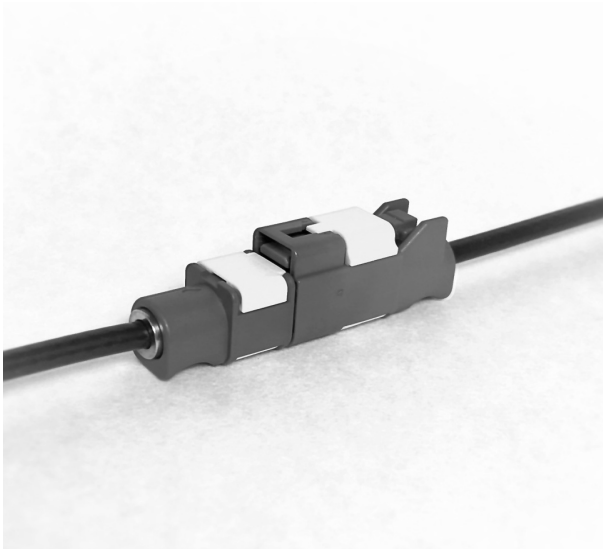


JRF CONNECTOR

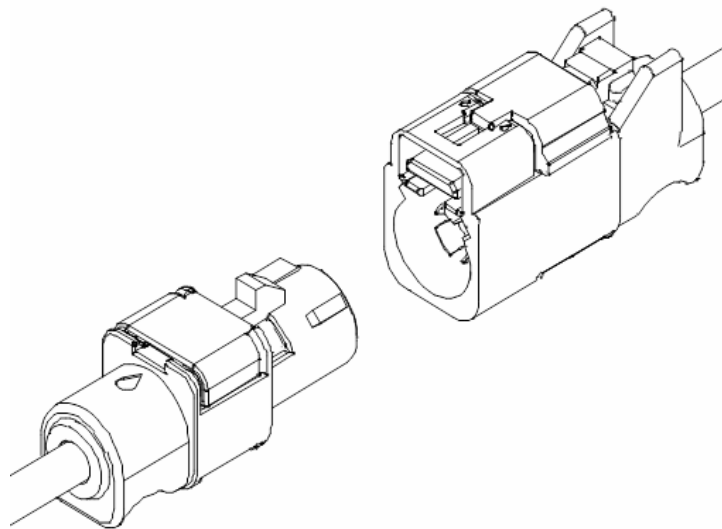
Wire-to-wire · High frequency



Fully compatible and designed based on requirements from the FAKRA RF and USCAR standards for telematics and automotive communications technology.

■ Features

- Interface Compatible with USCAR-18,ISO20860-1
- 14 Key Codes
- Unsealed Inline Connector
- Superb high-frequency performance
VSWR achieves 1.5 MAX.
Insertion Loss achieves 0.45 MAX.



■ Key Codes (Male side)

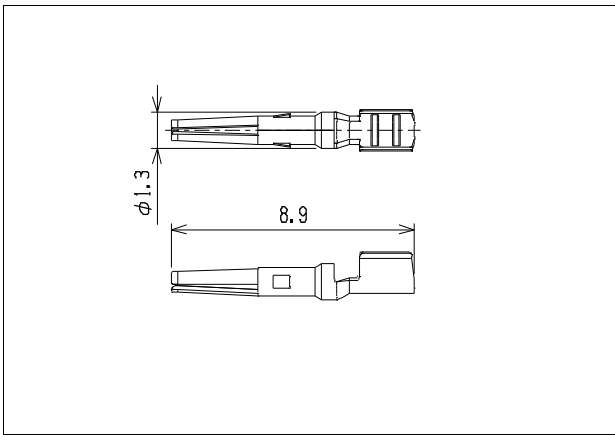
A	B	C	D	E
F	G	H	I	K
L	M	N	Z	

■ Specifications

- Current rating : 1A max.
- Withstanding voltage : 800 VAC /minute
- Temperature range : -40°C to +105°C
(including temperature rise in applying electrical current)
- Contact resistance : Center Contact
Initial value/ 5 mΩ max.
After environmental tests/ 24 mΩ max.
Outer Contact
Initial value/ 5 mΩ max.
After environmental tests/ 6 mΩ max.
- Insulation resistance : 100 MΩ min.
- Applicable wire : LS Cable 1.5DS-CV
- Frequency : DC~6GHz
- Characteristic impedance : 50 Ω

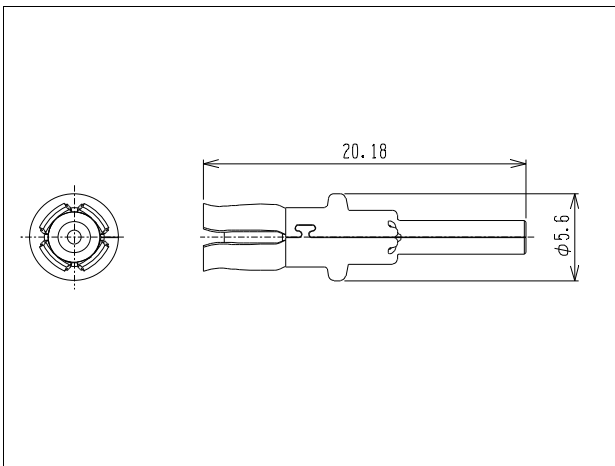
*Compliant with ELV/RoHS2.
*Contact JST for details.

Female Center Contact



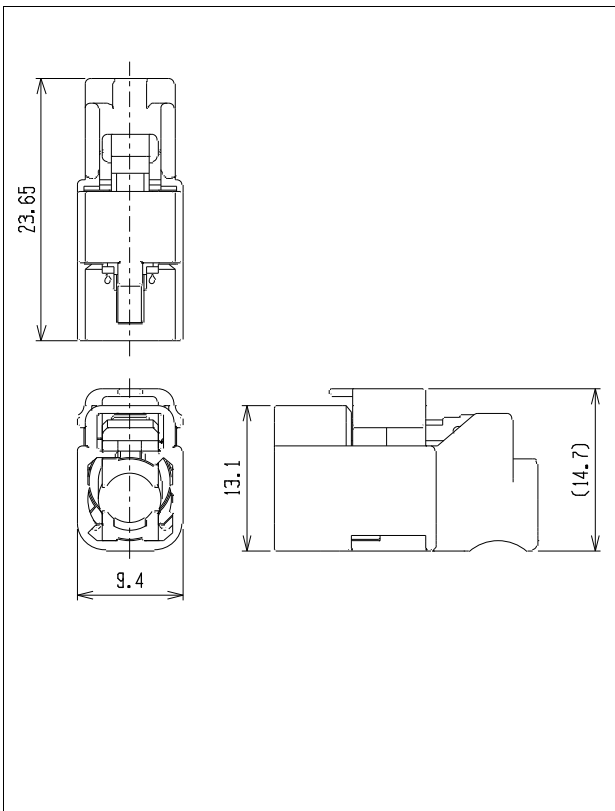
Model No.	Q'ty/reel
SJRF-C1.5D0GG-P0.5	3,500
Material and Finish	
Phosphor Bronze, Nickel-Undercoated, Contact Area: Au-Plated Barrel Area : Tin-Plated (Reflow Treatment)	

Female Outer Contact Assy



Model No.	Q'ty/reel
JRFRSI-01-1A	2,500
Material and Finish	
Outer Contact : Phosphor Bronze, Cu-Undercoated, Tin-Plated (Reflow Treatment) Insulator : COC	

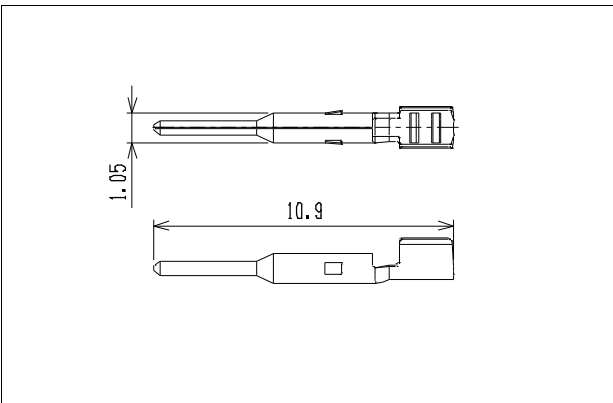
Female Housing Assy



Key Code	Model No.	Q'ty/Box	Housing Color
A	JRFRB-01-1A-K	960	Jet Black
B	JRFRB-01-1B-W	960	Cream White
C	JRFRB-01-1C-E	960	Signal Blue
D	JRFRB-01-1D-P	960	Claret Violet
E	JRFRB-01-1E-M	960	Leaf Green
F	JRFRB-01-1F-DN	960	Nut Brown
G	JRFRB-01-1G-H	960	Blue Gray
H	JRFRB-01-1H-LP	960	Heather Violet
I	JRFRB-01-1I-LN	960	Beige
K	JRFRB-01-1K-N	960	Curry
L	JRFRB-01-1L-R	960	Carmine Red
M	JRFRB-01-1M-D	960	Pastel Orange
N	JRFRB-01-1N-LG	960	Pastel Green
Z	JRFRB-01-1Z-LE	960	Water Blue
Material and Finish			
Housing: PBT Retainer: PBT (Yellow)			

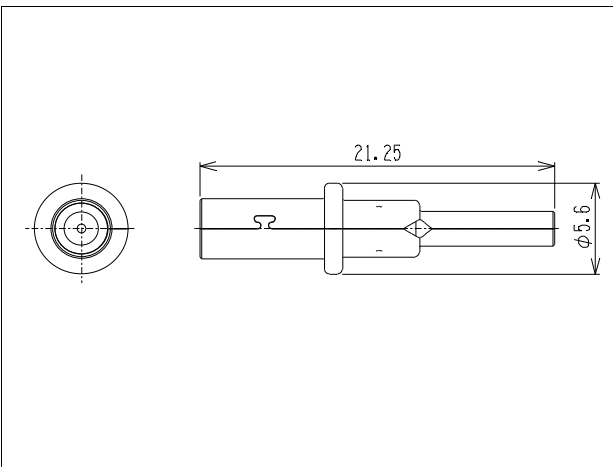
JRF CONNECTOR

Male Center Contact



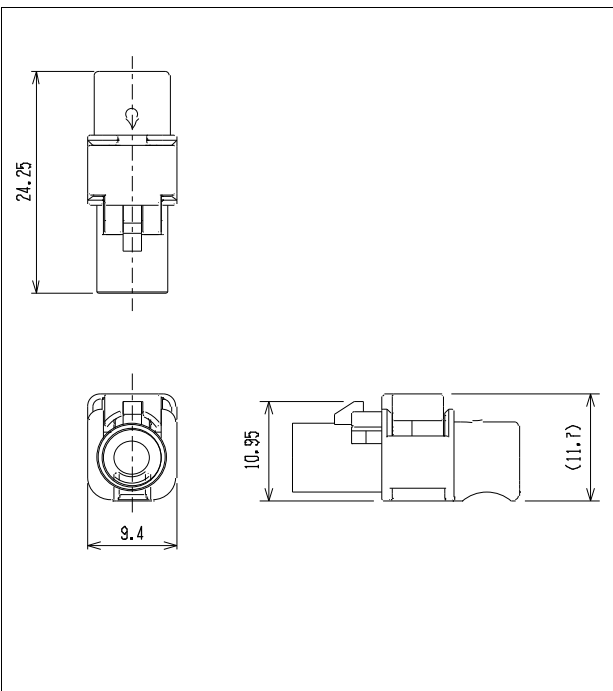
Model No.	Q'ty/reel
SJRFW-C1.5D0GG-0.5	35,000
Material and Finish	
Brass, Nickel-Undercoated, Contact Area: Au-plated Barrel Area : Tin-Plated (Reflow Treatment)	

Male Outer Contact Assy



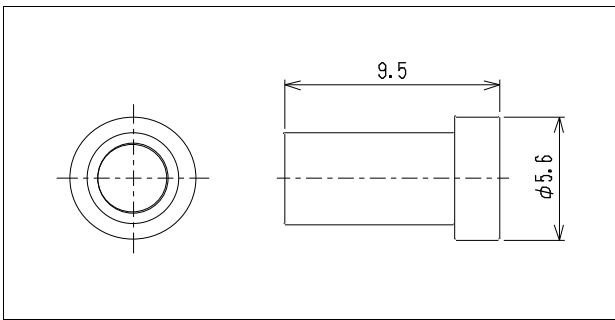
Model No.	Q'ty/reel
JRFPsi-01-1A	2,500
Material and Finish	
Outer Contact : Brass, Cu-Undercoated, Tin-Plated (Reflow Treatment) Insulator : COC	

Male Housing Assy



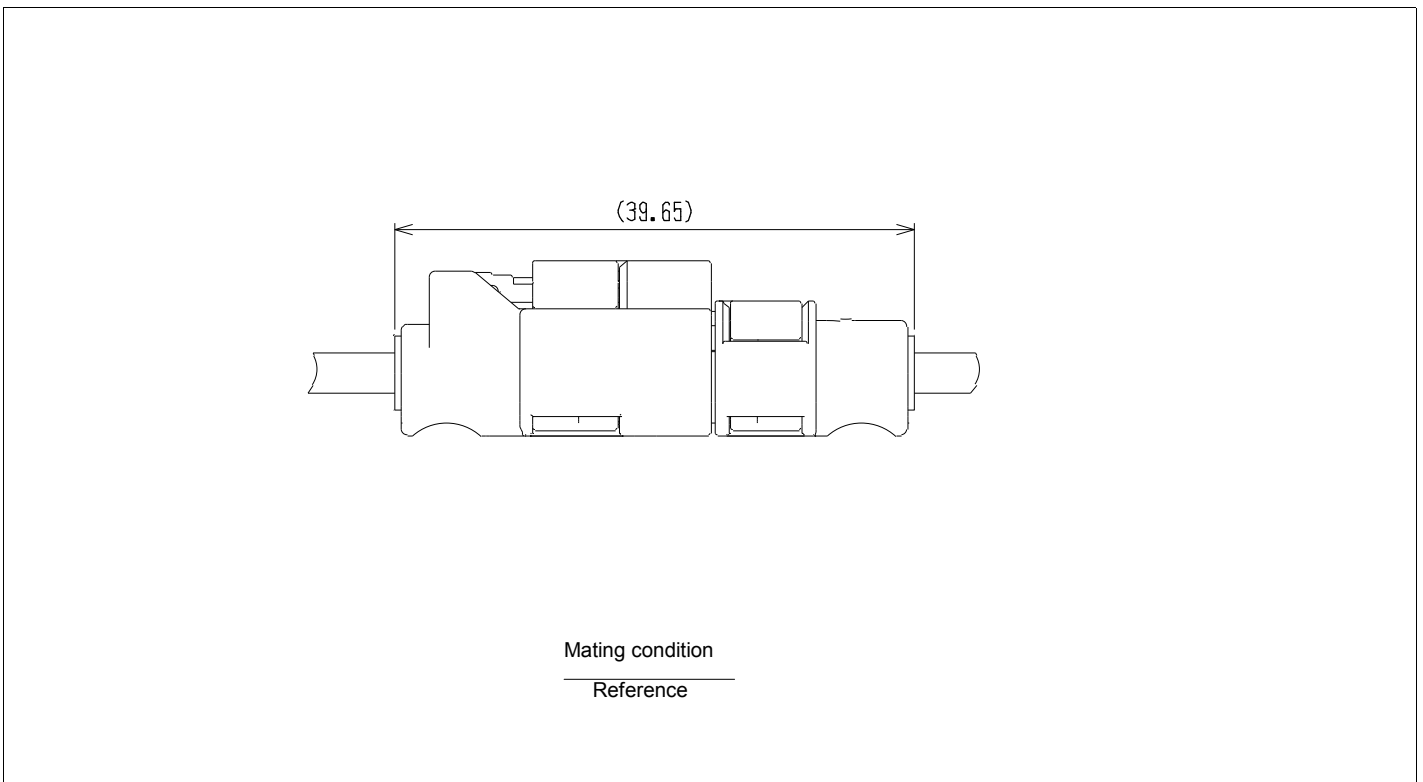
Key Code	Model No.	Q'ty/Box	Housing Color
A	JRFPB-01-1A-K	1,080	Jet Black
B	JRFPB-01-1B-W	1,080	Cream White
C	JRFPB-01-1C-E	1,080	Signal Blue
D	JRFPB-01-1D-P	1,080	Claret Violet
E	JRFPB-01-1E-M	1,080	Leaf Green
F	JRFPB-01-1F-DN	1,080	Nut Brown
G	JRFPB-01-1G-H	1,080	Blue Gray
H	JRFPB-01-1H-LP	1,080	Heather Violet
I	JRFPB-01-1I-LN	1,080	Beige
K	JRFPB-01-1K-N	1,080	Curry
L	JRFPB-01-1L-R	1,080	Carmine Red
M	JRFPB-01-1M-D	1,080	Pastel Orange
N	JRFPB-01-1N-LG	1,080	Pastel Green
Z	JRFPB-01-1Z-LE	1,080	Water Blue
Material and Finish			
Housing: PBT Retainer: PBT (Yellow)			

Sleeve



Model No.	Q'ty/box
BJRFFL-A1.5DN-3.1	2,000
Material and Finish	
Brass, Nickel-Plated	

Assembly layout



Note: Contact JST for details.

Crimping machine, Applicator

Strip terminal	Crimping machine	Crimp applicator MKS-L	
		Dies	Crimp applicator with dies
SJRF-C1.5D0GG-P0.5	MKS-L-10	SJRF/W-C1.5D0-05	APLMK SJRF/WC1.5D0-05
SJRFW-C1.5D0GG-0.5			
BJRFFL-A1.5DN-3.1	MKS-JRF	BJRFFL-A1.5DN-3.1	APLMK JRF-SLEEVE

Note: 1. Contact JST for details.

2. When crimping operation is conducted using an applicator and die set other than the above, JST cannot guarantee the performance of the terminal.