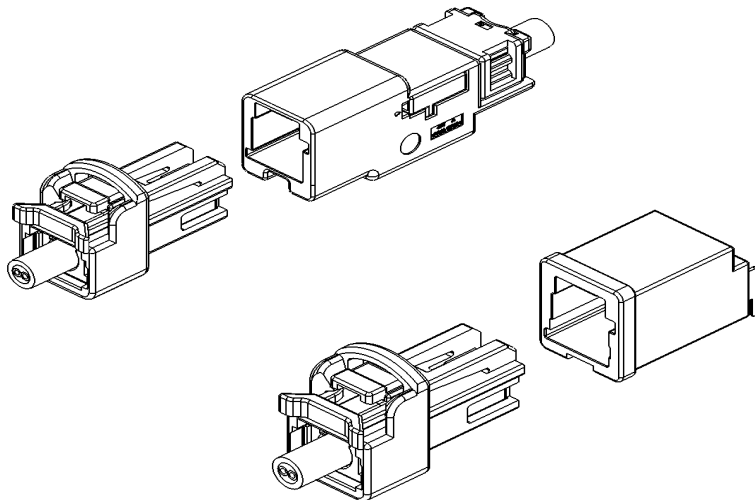


■ Features

- Transmission speed:
Applicable to Max 1Gbps(1000BASE-T1) by using UTP wire cable.
- Adopted a preset structure with retainer and CPA built into the housing
- Prevention the half mating CPA (Option)
- Through hole reflow
- Support to 6 key codes

Fully compatible and designed based on requirements from the Open Alliance TC9 (1000BASE-T1)



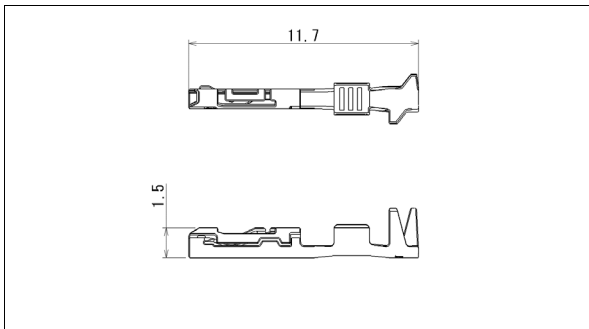
■ Specifications

- Current rating : 3A max.(0.13~0.22sq)
- Withstanding voltage : 1000 VAC /minute
- Temperature range : -40°C to +105°C
(including temperature rise in applying electrical current)
- Insulation resistance : 100 MΩ min.
- Applicable wire : UTP wire cable
※Contact JST for details.
- Transmission Speed : 100Mbps~1Gbps
- Characteristic impedance : 100Base-T1: 100Ω±10%(at 700ps rise time)

*Compliant with ELV/RoHS2.

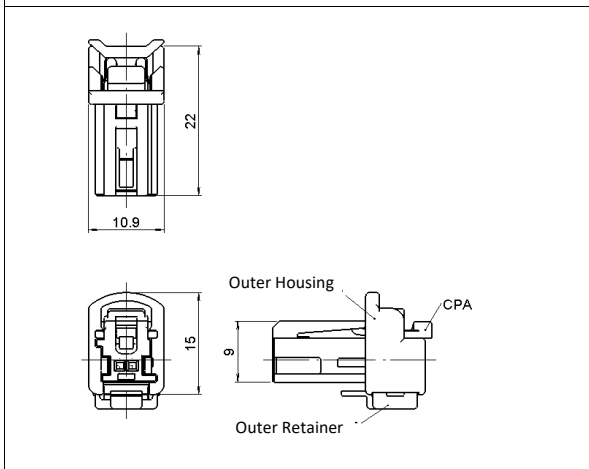
*Contact JST for details.

Female Terminal



Model No.	Applicable wire range		Q'ty/reel
	Conductor (mm ²)	Insulation O.D. (mm)	
SWMC-A011T-0.5	0.22	1.0~1.4	10,000
Material and Finish			
Copper alloy, tin-plated			

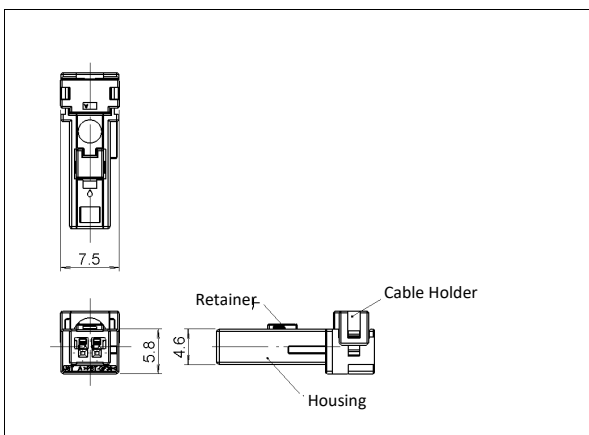
Female Outer Connector



Circuits	Model No.	Housing Color	Q'ty/box
2	JREROB-02-1A-K	Black	※①
Material			
Housing : Glass-filled PA			
Outer Retainer : Glass-filled PBT (Yellow)			
CPA : Glass-filled PBT (Red)			

※① Contact JST for details.

Female Inner Connector

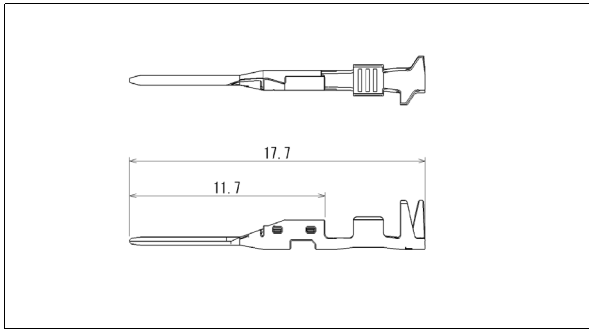


Circuits	Model No.	Housing Color	Q'ty/box
2	JRERIB-02-1A-K	Black	※①
Material			
Housing : Glass-filled PA			
Retainer : Glass-filled PBT (Natural)			
Cable Holder : Glass-filled PA (Pink)			

※① Contact JST for details.

JRE CONNECTOR

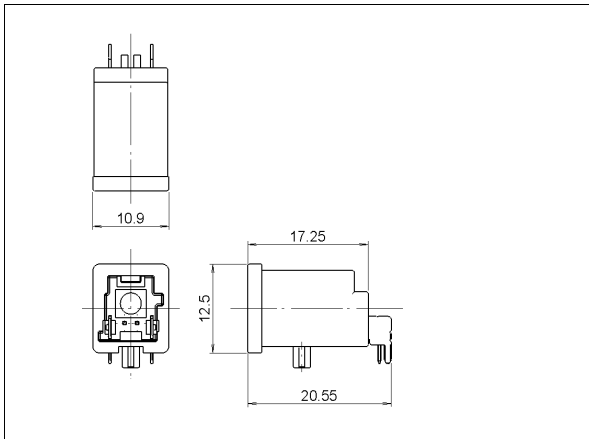
Male Terminal



Model No.	Applicable wire range		Q'ty/reel
	Conductor (mm ²)	Insulation O.D. (mm)	
SWMCW-A011T-0.5	0.22	1.0~1.4	10,000
Material and Finish			
Copper alloy, tin-plated			

※① Contact JST for details.

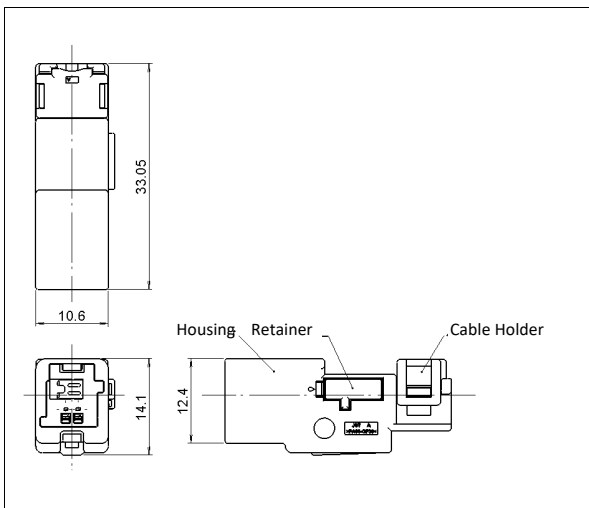
Male Connector



Circuits	Model No.	Housing Color	Q'ty/box
2	SM02B-JREKS-1A	Black	※①
Material and Finish			
Housing : Glass-filled PA			
Male Terminal : Copper alloy, tin-plated			
Tab : Copper alloy, tin-plated			

※① Contact JST for details.

Male Connector Wire-to-Wire

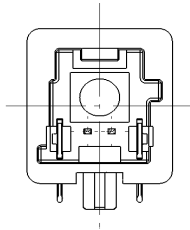


Circuits	Model No.	Housing Color	Q'ty/box
2	JREP02-1A-K	Black	※①
Material			
Housing : Glass-filled PA			
Retainer : Glass-filled PBT (Yellow)			
Cable Holder : Glass-filled PA (Pink)			

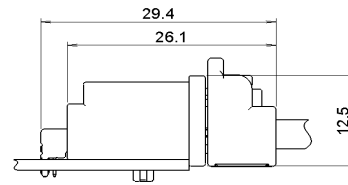
※① Contact JST for details.

PC board layout (Viewed from component side), Assembly layout

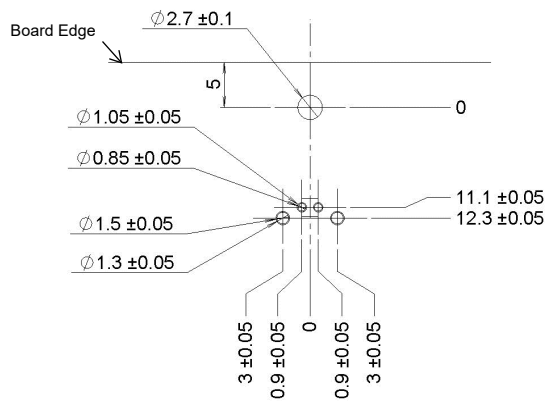
Side Entry Type



Assembly layout



PC board layout



Crimping machine, Applicator

Note: 1. Contact JST for details.

2. When crimping operation is conducted using an applicator and die set other than the above, JST cannot guarantee the performance of the terminal.