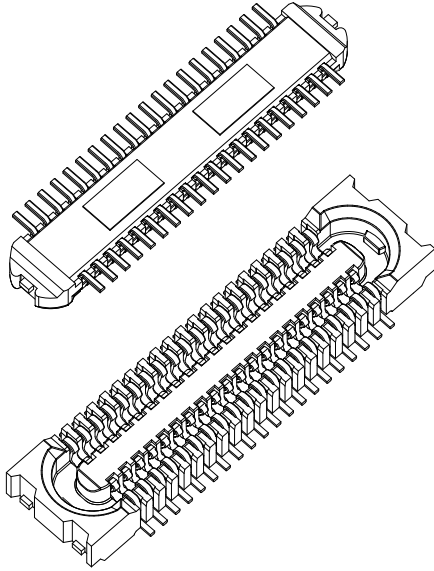


# JKGN CONNECTOR

0.35 mm pitch / Board-to-board connectors



This connector is 0.35 mm pitch board-to-board (FPC) connection connector with mounting height 1.0 mm, product width 2.88 mm.

## Features

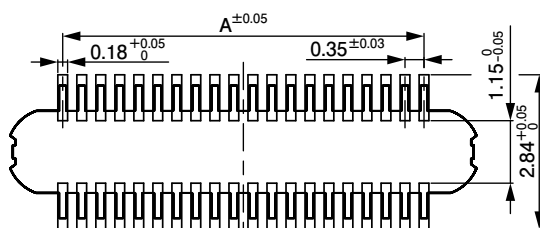
- Contact lock mechanism for secure high retention force
- 2-point contact provides high reliability
- Secure wiring space at the bottom of the contact  
(No pattern prohibited area)
- Power saving by 0.5A/pin
- Clear click feeling when mating

## Specifications

- Current rating: 0.5 A AC/DC
- Voltage rating: 30 V AC/DC
- Temperature range: -25°C to +85°C  
(including temperature rise in applying electrical current)
- Contact resistance: Initial value/ 50 mΩ max.  
After environmental tests/ 80 mΩ max.
- Insulation resistance: 100 MΩ min.
- Withstanding voltage: 100 VAC/minute
- \* In using the products, refer to “Handling Precaution for Terminals and Connectors” described on our website (Technical documents of Product information page).
- \* RoHS2 compliance
- \* Dimensional unit: mm
- \* Contact JST for details.

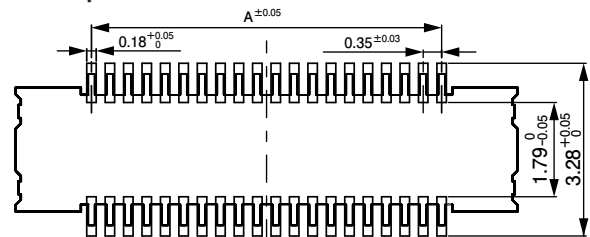
## PC board layout

### Plug



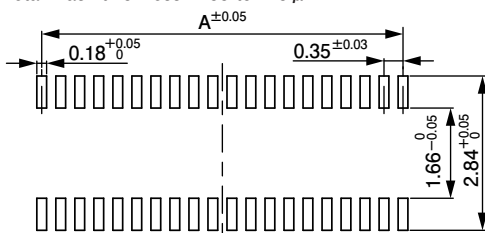
PC board layout

### Receptacle



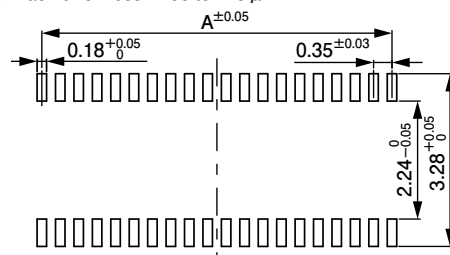
PC board layout

- Metal mask thickness 100 to 120 μm



Metal mask layout

- Metal mask thickness 100 to 120 μm

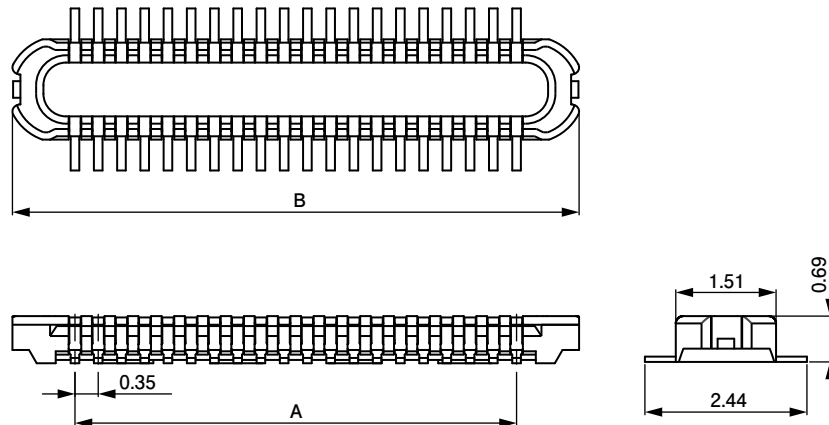


Metal mask layout

- Note: 1. The above figure is the figure viewed from the connector mounting side.  
 2. Tolerances are non-cumulative: ± 0.03 mm for all centers.  
 Please contact JST for details as the dimensions shown in the above figure are reference values.  
 3. Contact JST for nitrogen (N2) reflow soldering.

# JKGN CONNECTOR

## Plug

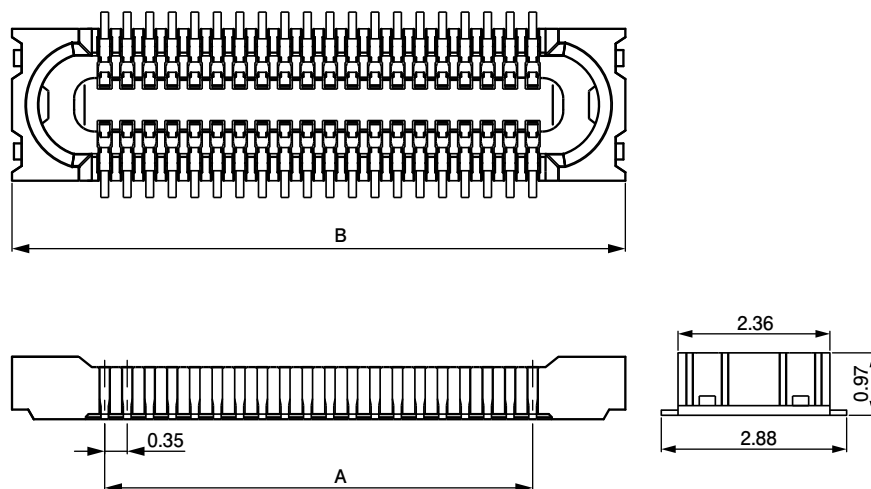


No. of circuits	Model No.	Dimensions (mm)		Q'ty/reel	Material and Finish
		A	B		
40	40P-JKGNK-GAN-ETF(HF)	6.65	8.53	9,000	Contact: Copper alloy, nickel-undercoated, gold-plated Housing: LCP, UL94V-0 Other: Brass
90	90P-JKGNK-GAN-ETF(HF)	15.4	17.28	9,000	

RoHS2 compliance

Note: The products listed above are supplied on embossed-tape.

## Receptacle



No. of circuits	Model No.	Dimensions (mm)		Q'ty/reel	Material and Finish
		A	B		
40	40R1.0-JKGNK-GAN-ETF(HF)	6.65	9.53	7,400	Contact: Copper alloy, nickel-undercoated, gold-plated Housing: LCP, UL94V-0 Other: Brass
90	90R1.0-JKGNK-GAN-ETF(HF)	15.4	18.28	7,400	

RoHS2 compliance

Note: The products listed above are supplied on embossed-tape.