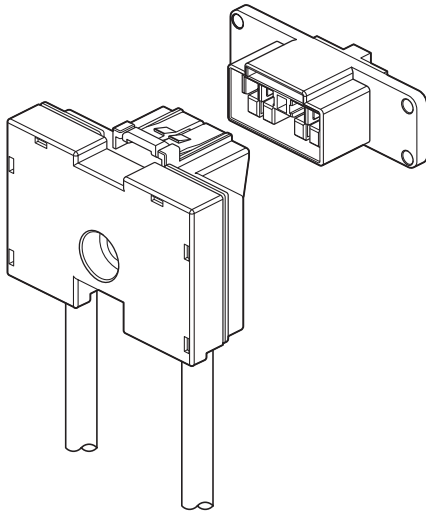




FAH CONNECTOR (SCREW LOCK TYPE)

16mm pitch/Disconnectable Crimp style Wire-to-wire connectors



This is wire to wire connector, of which current rating is 90 A capability in 2-circuit, and connects a crimp style terminal and bus bar with screws.

- ***Finger protection feature on both receptacle and tab***
- ***Prevention of false mating***
- ***Space saving***
- ***Compatible with crimp type terminal***

Specifications

- Current rating: 90 A AC, DC (AWG #4)
- Voltage rating: 600 V AC, DC
- Temperature range: -25°C to +85°C
(including temperature rise in applying electrical current)
- Contact resistance: Initial value/ 2 mΩ max.
After environmental tests/ 5 mΩ max.
- Insulation resistance: 100 MΩ min.
- Withstanding voltage: 3,000 VAC/minute
- Applicable wire and loose piece terminal:


Wire	JST loose piece terminal
AWG #4 (22 sq.)	22-S6
AWG #6 (14 sq.)	R14-6
AWG #8 (8 sq.)	8-L6
AWG #10 (5.5 sq.)	R5.5-6

* In using the products, refer to "Handling Precaution for Terminal and Connector" described on our website (Technical documents of Product information page).

* Contact JST for details.

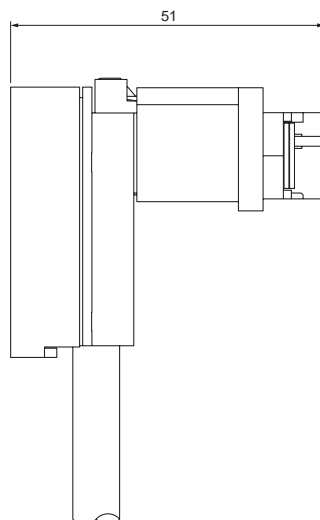
* Compliant with RoHS.

Standards

 Recognized E 60389

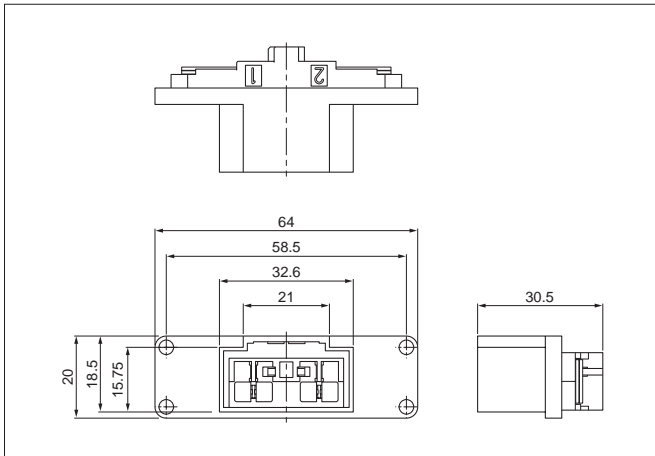
 R50366239

Assembly layout



FAH CONNECTOR (SCREW LOCK TYPE)

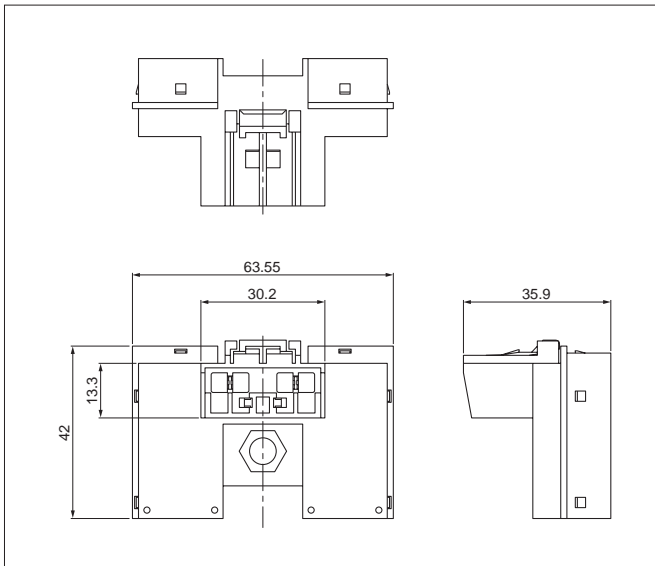
Receptacle assembly



No. of circuits	Material and Finish		Q'ty/box
02FAH-FAGD	Housing	Thermoplastic resin, UL94V-0, black	360
	Contact L	Copper, nickel-undercoated gold-plated	
	Contact R		
	Spring	Stainless steel	
	Hexagonal nut (M6)	Steel	

RoHS compliance

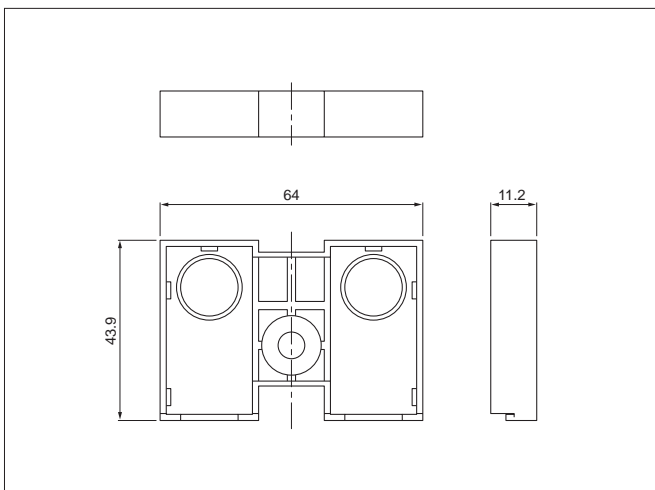
Tab assembly



No. of circuits	Material and Finish		Q'ty/box
02FAH-MAGD	Housing	Thermoplastic resin, UL94V-0, black	192
	Contact L	Copper, nickel-undercoated gold-plated	
	Contact R		
	Spring	Stainless steel	
	Hexagonal nut (M6)	Steel	

RoHS compliance

Tab cover housing



Model No.	Q'ty/box
FAH-MC02V-K	480
Material	
Thermoplastic resin, UL94V-0, black	

RoHS compliance