

# EA2 CONNECTOR (Side entry type with GND spring)

Board-to-wire



This is compact high-frequency signal connector with enhanced GND performance, suitable for in-vehicle equipment with antenna communication (GPS, ETC/DSRC, Wi-Fi, Bluetooth).

It is also suitable for coaxial video signal transmission in combination with cable-side connectors for noise suppression.

It is surface mount technology (SMT) compatible products.

## Features

### ● High Reliability

This connector has the contact reliability suitable for in-vehicle devices and has achieved the strength of 98 N or more due to our unique reinforced tab structure in spite of compact SMT product.

### ● Applicable frequency range "to 2.5 GHz" and "5.17 to 5.85 GHz"

Frequency range is suitable for antenna communication (GPS, ETC/DSRC, Wi-Fi, Bluetooth) of "to 2.5 GHz" and "5.17 to 5.85 GHz".

#### · VSWR

to 2.5 GHz : 1.5 or less  
5.17 to 5.85 GHz: 1.5 or less

#### · Insertion loss

to 2.5 GHz : -1.5 dB or more  
5.17 to 5.85 GHz: -1.5 dB or more

### ● For coaxial video signal transmission (for noise suppression)

By combining with the cable side connector anti-noise shell assembly, coaxial video signal transmission can be supported.

### ● Space-saving design

Space-saving design with 7.4 mm connector width on the PC board side

### ● Anti-noise Performance

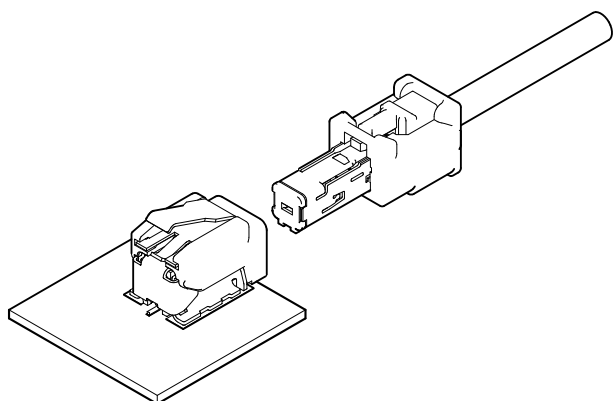
Adopt excellent performance by metal shell shielding structure.

## Specifications

- Current rating: 1 A AC/DC
- Voltage rating: 250 V
- Temperature range: -40°C to +105°C  
(including temperature rise in applying electrical current)
- Applicable wire: 1.5 D Coaxial cables  
\*Applicable wires need to be evaluated separately.
- Characteristic impedance: 50 Ω
- No. of circuits: Single circuit (Coaxial)
- Frequency range: "to 2.5 GHz" and "5.17 to 5.85 GHz".
- Mounting type: Surface mount technology (SMT)
- Key type: Two types

\*Compliant with ELV/RoHS2

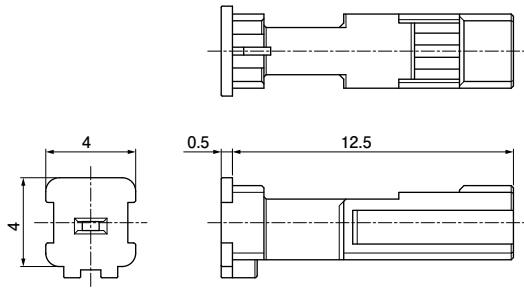
\*Contact JST for details.



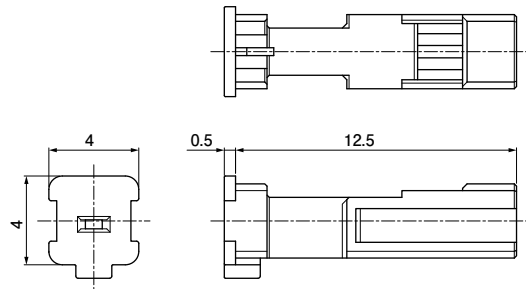
# EA2 CONNECTOR (Side entry type with GND spring)

## Inner housing of cable side

### ● EA2-PHN-2K



### ● EA2-PHN-2H-B



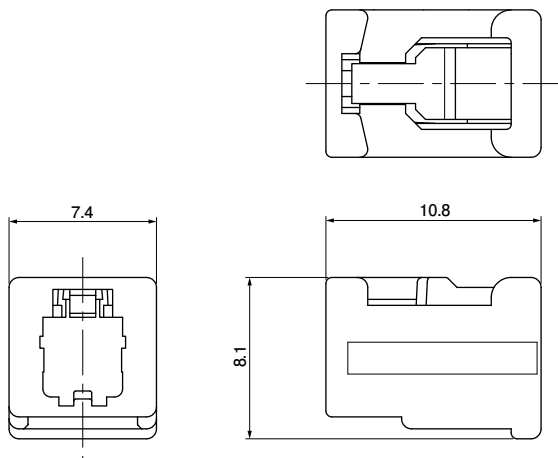
Key type	Model No.	Housing Color	Q'ty/box
A	EA2-PHN-2K	Black	1,000
B	EA2-PHN-2H-B	Gray	1,000

#### Material and Finish

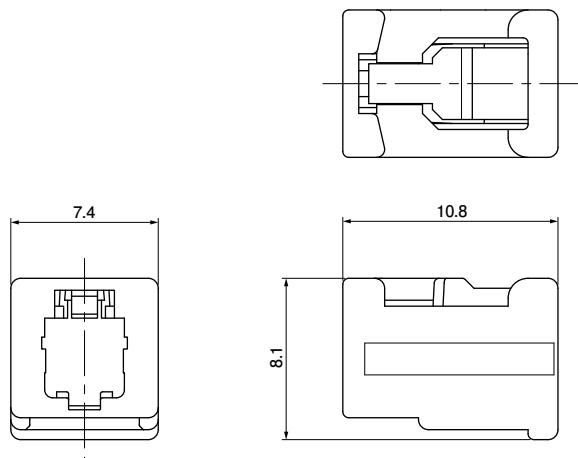
Thermoplastic resin

## Outer housing of cable side

### ● EA2-PHG-1K



### ● EA2-PHG-1H-B



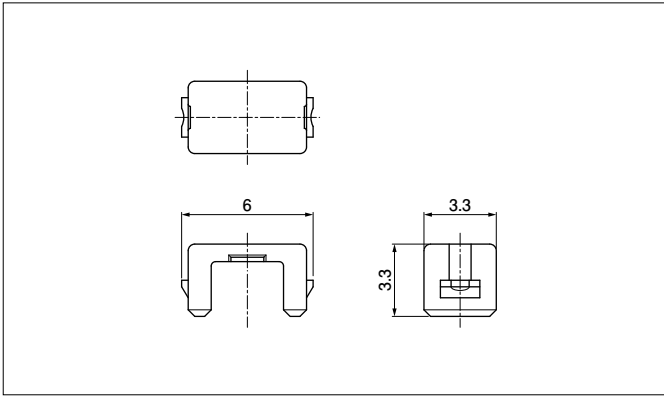
Key type	Model No.	Housing Color	Q'ty/box
A	EA2-PHG-1K	Black	500
B	EA2-PHG-1H-B	Gray	500

#### Material and Finish

Thermoplastic resin

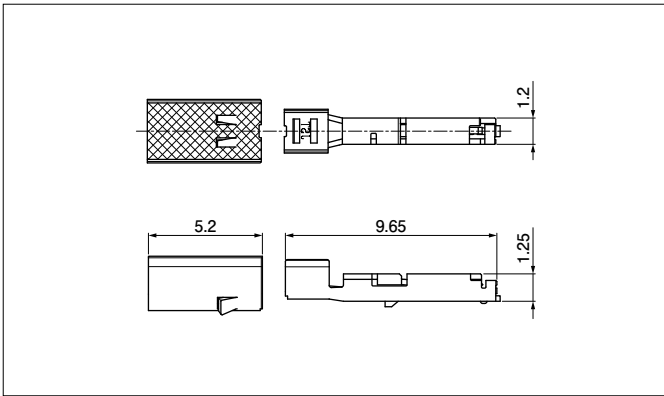
# EA2 CONNECTOR (Side entry type with GND spring)

## Retainer of cable side



Model No.	Housing Color	Q'ty/box
EA2-PRT-2H	Gray	4,000
Material and Finish		
Thermoplastic resin		

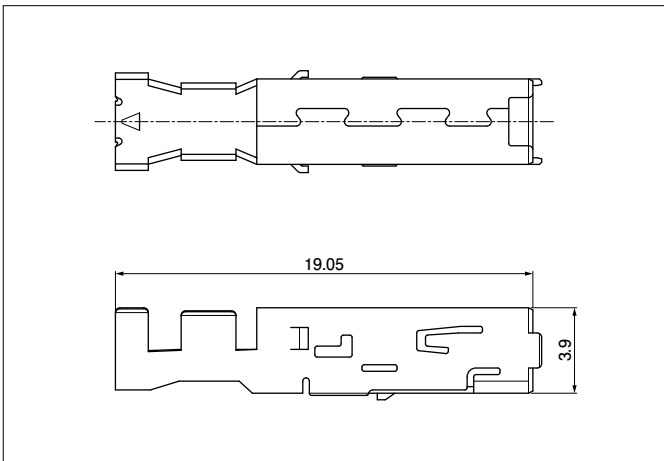
## Female terminal



Model No.	Q'ty/reel
EA2-SCS542	10,000
Material and Finish	
Copper alloy, nickel-undercoated, Contact area: gold-plated Barrel area: tin-plated	

Note: This product displays (LF) (SN) on a label.

## Shell of cable side



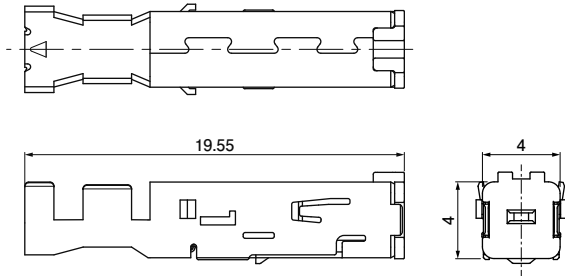
Model No.	Q'ty/reel
EA2-SSP3RPT	2,500
Material and Finish	
Copper alloy, tin-plated	

Note: This product displays (LF) (SN) on a label.

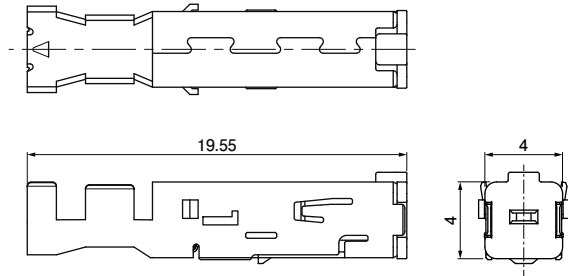
# EA2 CONNECTOR (Side entry type with GND spring)

## Shell assembly (For noise suppression)

### ● EA2-SSPNP-E-A



### ● EA2-SSPNP-M-B



Key type	Model No.	Housing Color	Q'ty/reel
A	EA2-SSPNP-E-A	Blue	2,500
B	EA2-SSPNP-M-B	Green	2,500

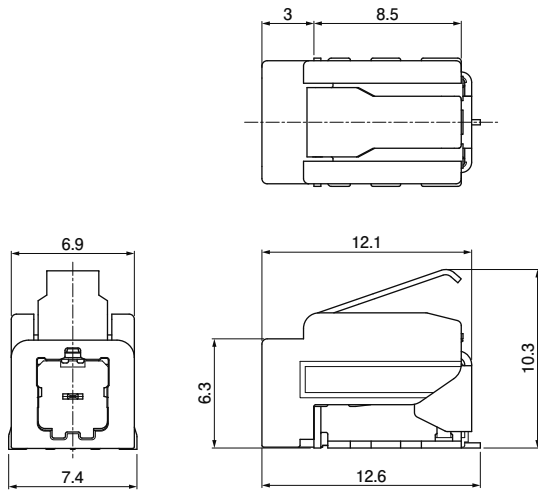
#### Material and Finish

Inner housing: Thermoplastic resin  
 Inner plate: Copper alloy  
 Shell: Copper alloy, tin-plated

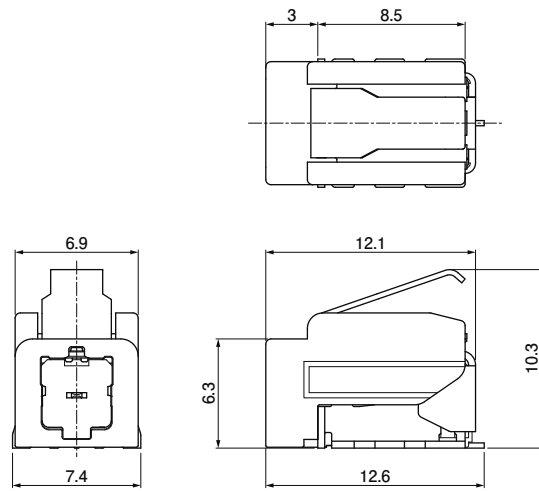
Note: This product displays (LF) (SN) on a label.

## Male connector

### ● EA2-1RASG-12T100-K1-TR



### ● EA2-1RBSG-12T100-H1-TR



Key type	Model No.	Housing Color	Q'ty/reel
A	EA2-1RASG-12T100-K1-TR	Black	400
B	EA2-1RBSG-12T100-H1-TR	Gray	400

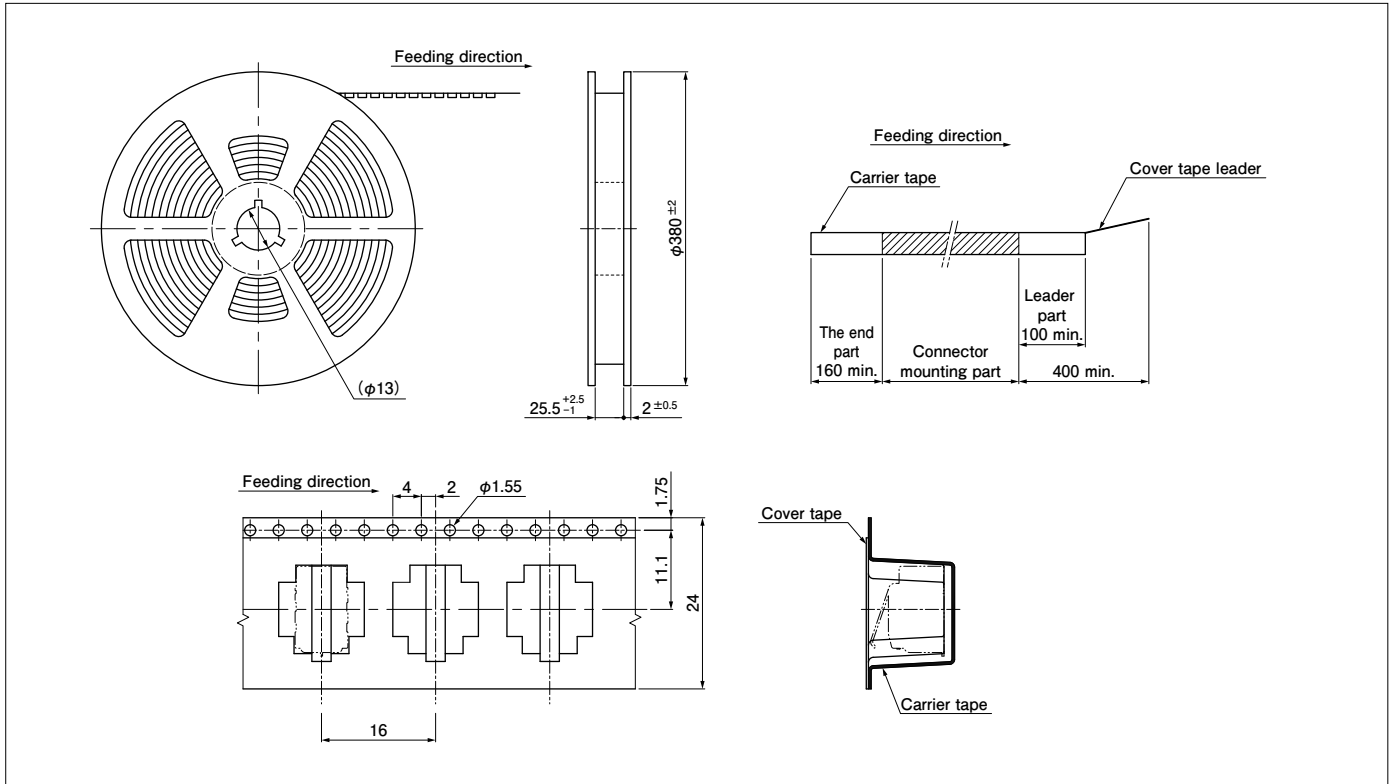
#### Material and Finish

Inner housing: Heat resisting resin  
 Outer housing: Heat resisting resin  
 Contact: Copper alloy, nickel-undercoated, Contact area: gold-plated  
 Solder tail: tin-plated  
 Shell: Copper alloy, tin-plated

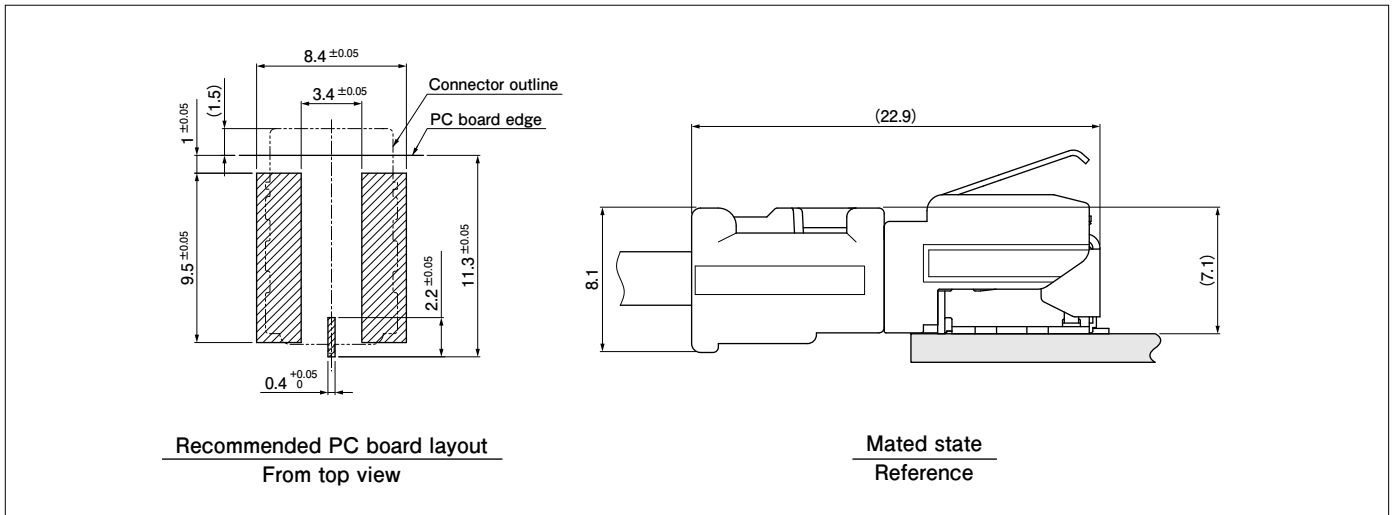
Note: This product displays (LF) (SN) on a label.

# EA2 CONNECTOR (Side entry type with GND spring)

## Taping Specification



## PC board layout, Assembly layout



## Crimping machine, Applicator

Strip terminal	Crimping machine	Crimp applicator MKS-L	
		Dies	Crimp applicator with dies
EA2-SCS542	AP-K2N	MK/EA2-SCS	APLMK EA2-SCS

Note: 1. When crimping operation is conducted using an applicator and die set other than the above, JST cannot guarantee the performance of the terminal.  
2. Contact JST for details.

## Jig

Jig	Model No.
Shell crimping jig	H2-CP-EA2
Hand press	HPD-M2A (R)