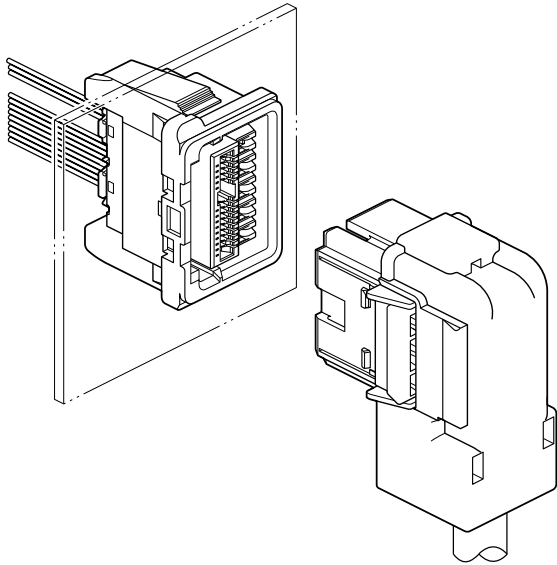




DAC CONNECTOR

Disconnectable Crimp style Wire-to-wire connectors



Hybrid type I/O connector with combined signal and power supply circuits.

- Signal circuit 1.0 mm pitch lever-locking type
- Curtailment of number of component
- Space saving
- Locking mechanism

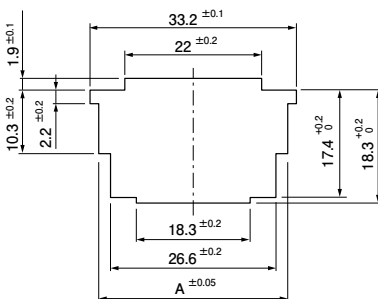
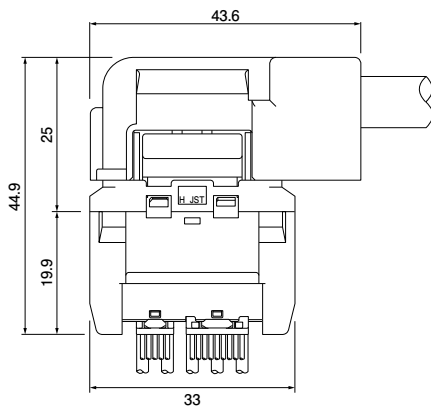
Specifications

- Current rating: Signal circuit; 1.5 A AC/DC (AWG #27, #26)
Power supply circuit; 6 A AC/DC (AWG #18)
 - Voltage rating: Signal circuit; 50 V AC/DC
Power supply circuit; 300 V AC/DC
 - Temperature range: -25°C to +85°C
(including temperature rise in applying electrical current)
 - Applicable wire:
 - Signal circuit Conductor size/ AWG #30 to #26
 - Power supply circuit Conductor size/ AWG #22 to #18
Plug side Sheath O.D./ 5 to 8.2 mm
 - Number of circuits: Signal circuit/ 14 circuits
Power supply circuit/ 5 circuits
 - Applicable PC board thickness: 1 to 2 mm
 - Guarantee of repeated mating/unmating performance: 100 cycles
- * In using the products, refer to "Handling Precaution for Terminal and Connector" described on our website (Technical documents of Product information page)
- * Contact JST for details.
- * RoHS2 compliance

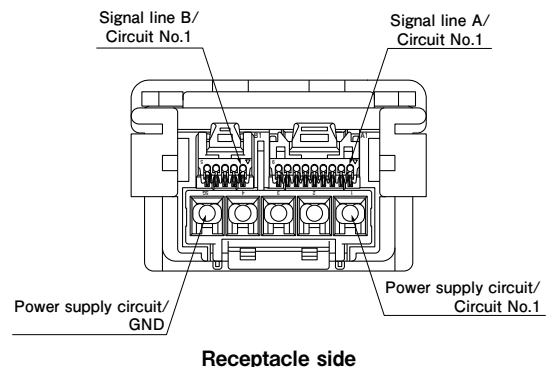
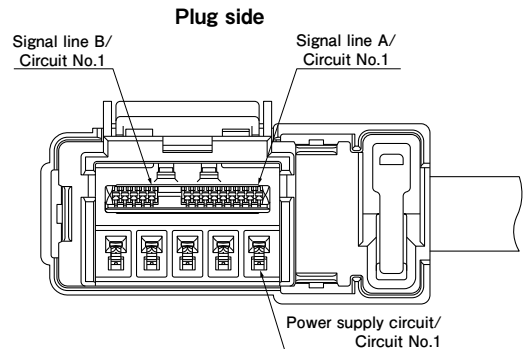
Standards

- Ⓜ Recognized E60389
- ⚠ J50219161

Assembly layout and Panel layout



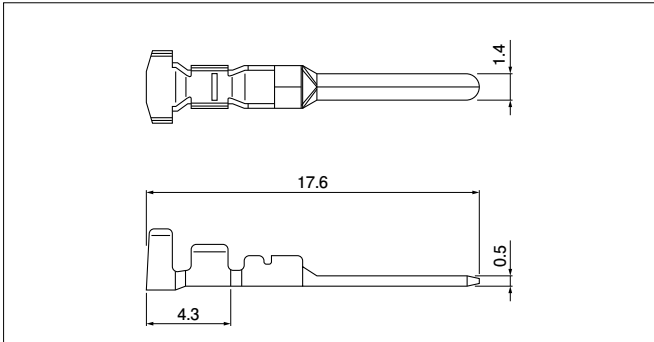
Panel thickness	t1	t1.2	t1.6	t2
A dimension	30.2	30.4		



- Note: 1. Punch holes in the panel according to the figures shown above. Burrs must be removed.
2. The strength of the panel must be considered when punching two or more holes.
3. The connector must be inserted from the same side as the hole is punched.

DAC CONNECTOR

Plug contact for power supply circuit



Model No.	Applicable wire		Insulation O.D. (mm)	Q'ty/reel
	mm ²	AWG #		
SSM-21T-P1.4	0.3 to 0.75	22 to 18	1.5 to 2.5	6,000

Material and Finish

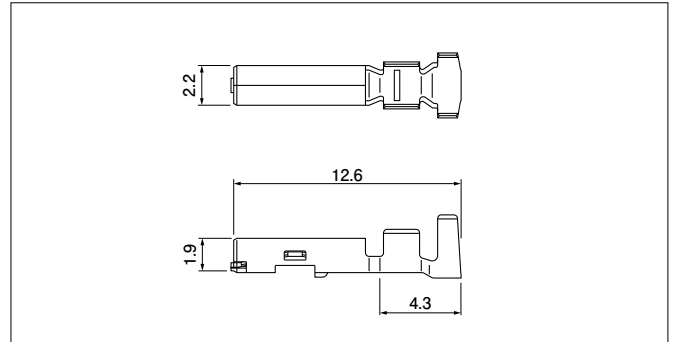
Copper alloy, tin-plated

RoHS2 compliance

Contact	Crimping machine	Applicator		
		Crimp applicator	Dies	Crimp applicator with dies
SSM-21T-P1.4	AP-K2N	MKS-L	MK/SSF/M-21-14	APLMK SSF/M21-14
		—	—	—

Note: Contact JST for fully automatic crimping applicator.

Receptacle contact for power supply circuit



Model No.	Applicable wire		Insulation O.D. (mm)	Q'ty/reel
	mm ²	AWG #		
SDACF-21T-P1.4	0.3 to 0.75	22 to 18	1.5 to 2.5	6,000

Material and Finish

Copper alloy, tin-plated

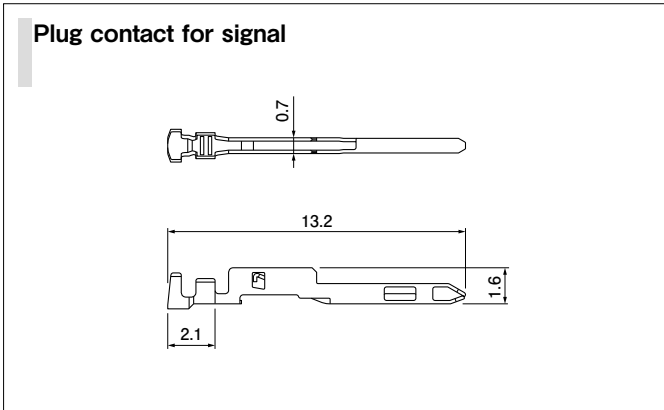
RoHS2 compliance

Contact	Crimping machine	Applicator		
		Crimp applicator	Dies	Crimp applicator with dies
SDACF-21T-P1.4	AP-K2N	MKS-L	MK/SSF/M-21-14	APLMK SSF/M21-14
		—	—	—

Note: Contact JST for fully automatic crimping applicator.

Plug

Plug contact for signal



Model No.	Applicable wire		Insulation O.D. (mm)	Q'ty/reel
	mm ²	AWG #		
SDACP-002T-M0.9	0.05 to 0.13	30 to 26	0.6 to 0.8	18,000

Material and Finish

Copper alloy, nickel-undercoated, tin-plated (reflow treatment)

RoHS2 compliance

Note: This product displays (LF)(SN) on a label.

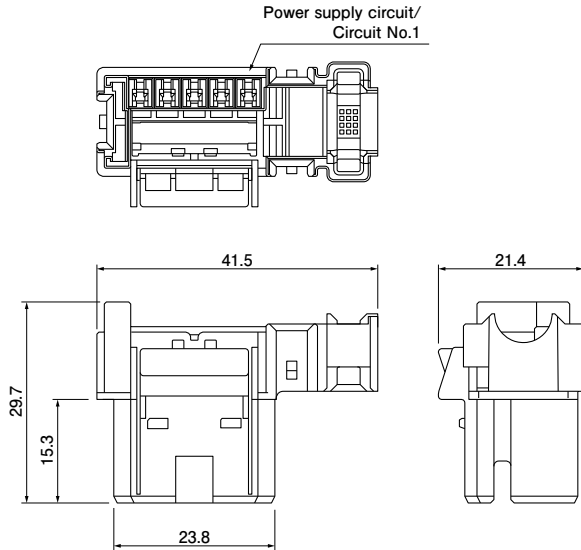
Contact	Crimping machine	Applicator		
		Crimp applicator	Dies	Crimp applicator with dies
SDACP-002T-M0.9	AP-K2N	MKS-L-10-3	MK/SRFCP-002-09	APLMK SRFCP002-09
		—	—	—

Note: Contact JST for fully automatic crimping applicator.

DAC CONNECTOR

Plug

Signal 14 circuits / Power supply 5 circuits

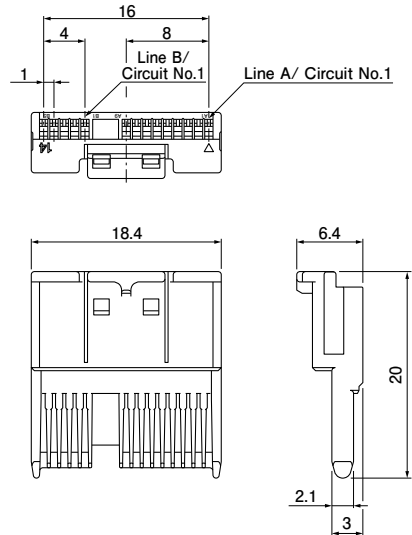


Model No.	Q'ty/box
DACPA-14P5-H	252

Material and Finish
PBT, UL94V-0, gray

RoHS2 compliance

Plug signal unit

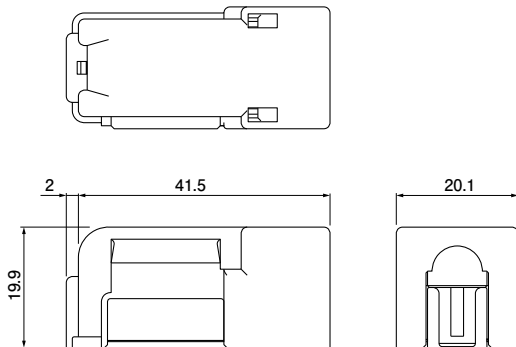


Model No.	Q'ty/box
DACYP-14(A9B5)-Z	480

Material and Finish
LCP, UL94V-0, natural

RoHS2 compliance

Plug cover

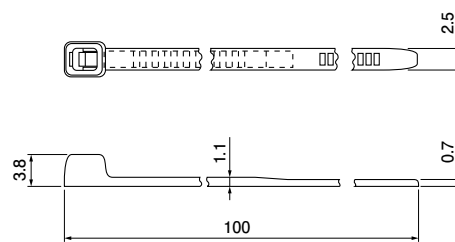


Model No.	Q'ty/box
DACC-14P5-H	315

Material and Finish
PBT, UL94V-0, gray

RoHS2 compliance

Tie lock



Model No.	Q'ty/box
KB-100-1	1,000

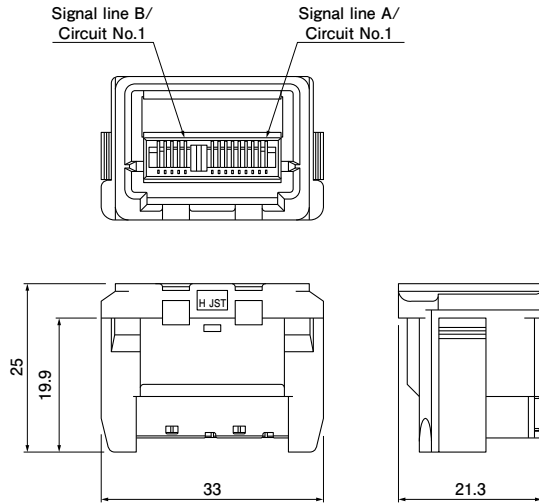
Material and Finish
PA 66, natural

RoHS2 compliance
Note: Unlisted in UL/CSA.

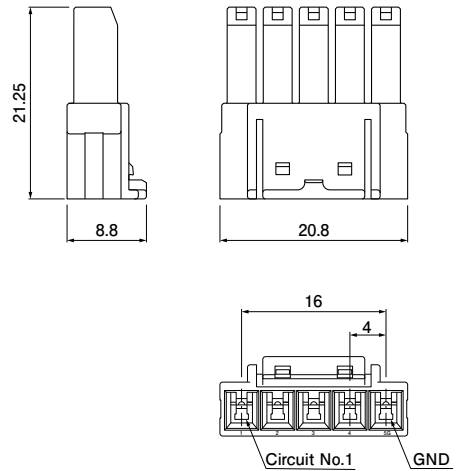
DAC CONNECTOR

Receptacle

Signal 14 circuits / Power supply 5 circuits



Power supply unit



Model No.	Q'ty/box
14P5RA-DAC-HT	240

Material and Finish
Contact: Copper alloy, nickel-undercoated, tin-plated (reflow treatment) Housing: PBT, UL94V-0, gray

RoHS2 compliance
Note: This product displays (LF)(SN) on a label.

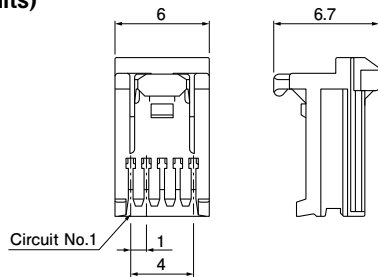
Model No.	Q'ty/box
DACYR-P5-5G-H	120

Material and Finish
PBT, UL94V-0, gray

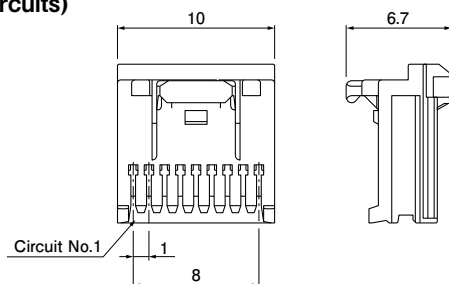
RoHS2 compliance

CSR connector Socket

(5 circuits)



(9 circuits)



No. of circuits	Model No.	Q'ty/box
5	05CSR-8PK	9,000
9	09CSR-8PK	5,400

Material and Finish
Contact: Copper alloy, tin-plated Housing: PBT, UL94V-0, pink

RoHS2 compliance

Applicable wire	UL11079, UL3619, UL3855, UL11030 (Contact JST for other UL style.) AWG #27, #28 Conductor/ 7 strands, tin-coated annealed copper Insulation O.D./ 0.65 to 0.73 mm
-----------------	---