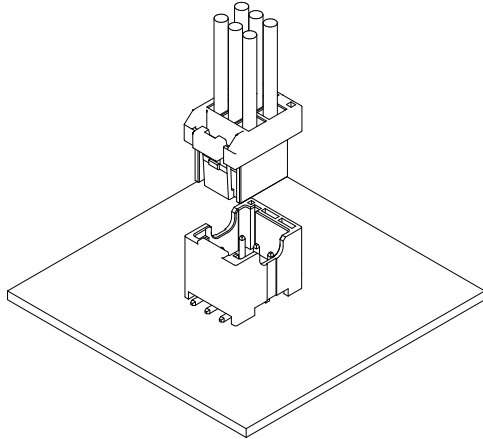


BSS CONNECTOR

3.0 mm pitch / Board-to-Wire connectors / Crimp style and Mating style



This is a 3.0 mm pitch SMT connector for secondary power supply with current carrying capacity of 7 A using AWG#18.

- Double row
- Space for suction is ensured on the top side of the connector for the pick and place machine nozzle without the need for suction tape.
- Two types of keying available (Type A and Type B) for both 4 and 6 circuits.
- Inertial lock mechanism

■ Specifications

- Current rating : 7 A AC/DC (See the table below)
- Voltage rating : 250 V AC/DC
- Temperature range : -25°C to +85°C
(Including temperature rise in applying electrical current)
- Contact resistance : Initial value/10 mΩ max.
After environmental tests/30 mΩ max.
- Insulation resistance : 1,000 MΩ min.
- Withstanding voltage : There shall be no breakdown or flashover while applying 1500 VAC for one minute.
- Applicable wire range : AWG#22 to AWG#18
- ※ Please refer to the "Handling Precautions for Terminals and Connectors" on our website (listed in the "Technical Documents" column on the Product Information page) before use.
- ※ RoHS2 compliance
- ※ Dimensional unit: mm
- ※ Contact JST for details.

■ Standard

For flame retardant grade of resin material used, please refer to the "List of Registered Overseas Standards" on our website (listed in the "Technical Documents" column on the Product Information page).

- ※ The general specifications mentioned above are defined in the product specifications for this series. Please note that registered standards may differ.

Table below

Note: Do not branch in parallel current which exceeds the rated current. If branched in parallel, current imbalance or other problems may occur.
If it is absolutely necessary to branch such a large current in parallel, design the circuits without causing any imbalance and provide extra margin for each circuit.

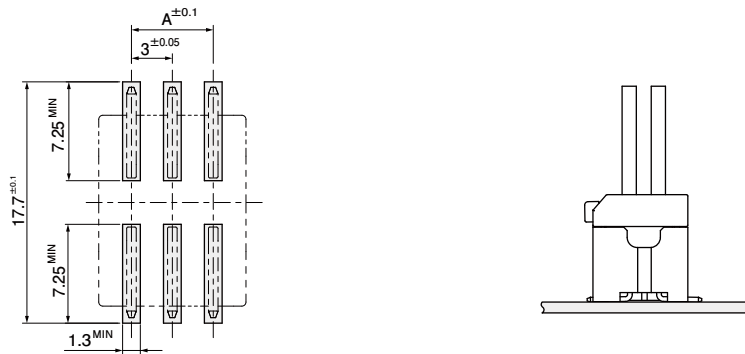
- ※ The rated current varies depending on the number of circuits in the housing and the wire to be crimped. The current rating for each housing and wire is as follows:

Current unit: A

No. of circuits	Wire size (AWG)		
	#18	#20	#22
4	7	6	4
6	7	6	4
8	6	5	4
10	6	4	4

BSS CONNECTOR

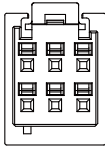
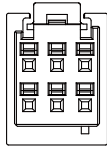
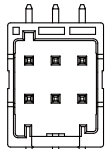
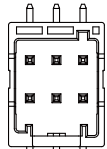
PC board layout



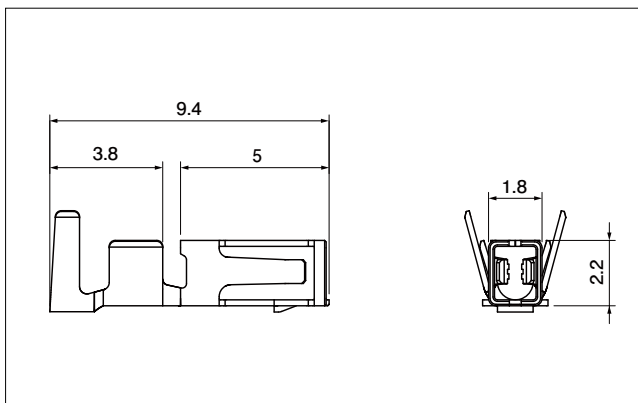
Recommended PC board layout

- Note: 1) The PC board layout figure shown is viewed from the connector mounting surface.
 2) Tolerance for the PCB pattern pitch shall be ± 0.05 and shall not accumulate.
 The above dimensions are reference values. Please contact JST for details.

List of product combinations

Resin colors	Housing	Natural	Yellow
	Header	Natural	Lemon yellow
	Keying pattern	A	B
	Socket		
	Header		
	Housing No.	BSSP-() V-S-A	BSSP-() V-Y-B
	Header No.	BM() B-BSSWS-A-TB	BM() B-BSSLS-B-TB

Contact



Model No.	Applicable wire range		Q'ty/ reel
	Conductor size AWG (mm ²)	Insulation O.D.(mm)	
SBSS-21T-M0.7	#22 to #18 (0.33 to 0.83)	1.5 to 2.1	5,500

Material and Surface finish, etc.

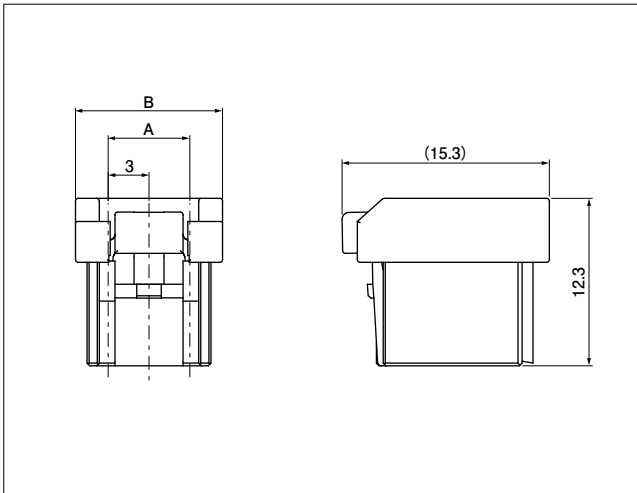
Copper alloy, tin-plated

Contact	Crimping machine	Applicator	Crimp applicator with dies
SBSS-21T-M0.7	AP-K2N	MKS-L	APLINK SBSS21-07

Note: Contact JST for fully automatic crimping applicator.

BSS CONNECTOR

Housing



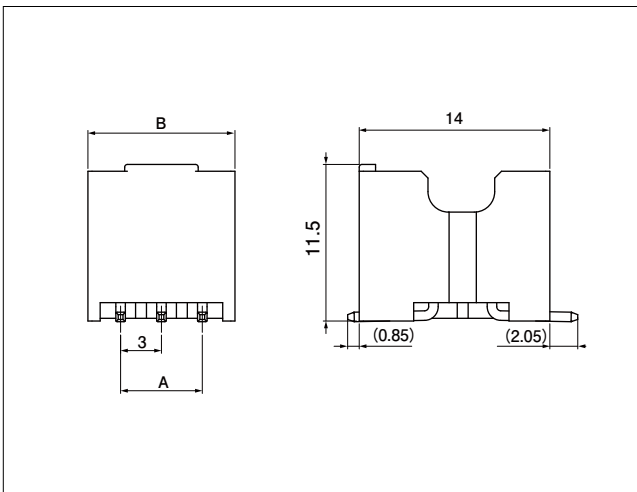
No. of circuits	Keying	Model No.	Dimensions (mm)		Q'ty/ bag
			A	B	
4	A	BSSP-04V-S-A	3.0	7.8	1,000
4	B	BSSP-04V-Y-B	3.0	7.8	1,000
6	A	BSSP-06V-S-A	6.0	10.8	700
6	B	BSSP-06V-Y-B	6.0	10.8	700
8	A	BSSP-08V-S-A	9.0	13.8	500
10	A	BSSP-10V-S-A	12.0	16.8	400

Material and Surface finish, etc.

Thermoplastic resin, natural, yellow

※ For flame retardant grade of resin material used, please refer to the "List of Registered Overseas Standards" on our website (listed in the "Technical Documents" column on the Product Information page).

Header



No. of circuits	Keying	Model No.	Dimensions (mm)		Q'ty/ reel
			A	B	
4	A	BM04B-BSSWS-A	3.0	7.8	300
4	B	BM04B-BSSLS-B	3.0	7.8	300
6	A	BM06B-BSSWS-A	6.0	10.8	300
6	B	BM06B-BSSLS-B	6.0	10.8	300
8	A	BM08B-BSSWS-A	9.0	13.8	300
10	A	BM10B-BSSWS-A	12.0	16.8	300

Material and Surface finish, etc.

Post : Copper alloy, copper-undercoated, tin-plated
Header : Heat resisting resin, natural, lemon yellow

※ For flame retardant grade of resin material used, please refer to the "List of Registered Overseas Standards" on our website (listed in the "Technical Documents" column on the Product Information page).

Model number allocation

Contact

S BSS - 21 T - M 0.7

Supply form : Strip from	S	BSS	-	21	T	-	M	0.7
Series name								
Applicable wire range : 21...AWG#22 to AWG#18								
Surface finish : Tin-plated								
Material : Copper alloy								
Header post size								

Housing

BSS P - 04 V - S - A

Series name	BSS	P	-	04	V	-	S	-	A
Part name : Socket housing									
No. of circuits : 4, 6, 8, 10									
Sub model number									
Color : S...Natural, Y...Yellow									
Keying pattern: A...Keying pattern A B...Keying pattern B									

Header

BM 04 B - BSS W S - A - TB

PCB mounting style: SMT top-entry type	B	M	04	B	-	BSS	W	S	-	A	-	TB
No. of circuits : 4, 6, 8, 10												
Part name : Header												
Series name												
Color : W...Natural, L...Lemon yellow												
Clinched (Kinked) / Not clinched : S...Straight												
Keying pattern : A...Keying pattern A B...Keying pattern B												
Packaging style : Embossed taping												