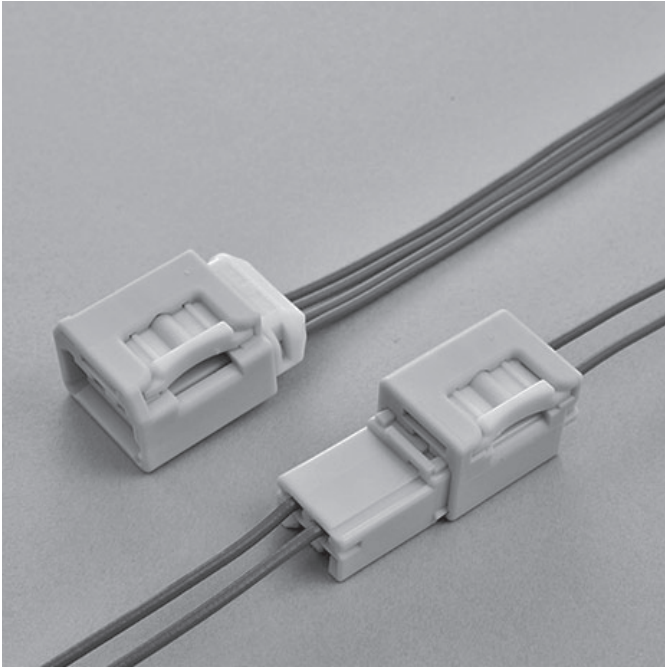


# BABCONNECTOR

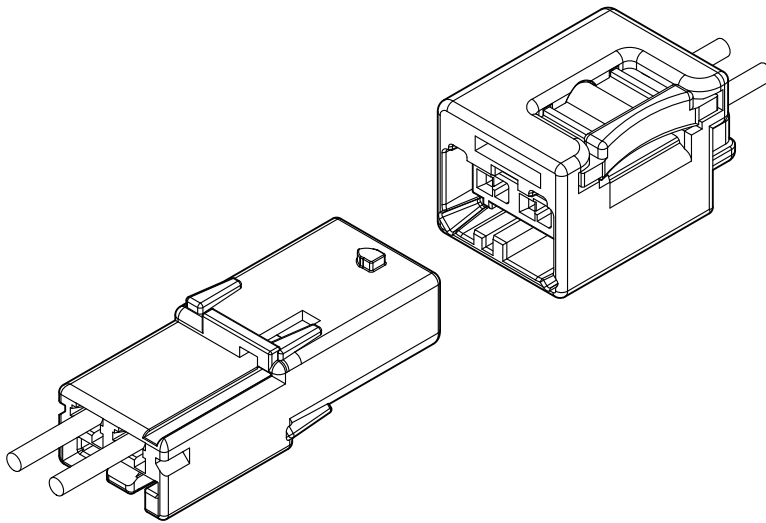
## Wire-to-wire



### Features

- **Go / No-Go Mating System**  
Compression spring prevents half-mating.
- **Anti Vibration Mechanism**  
High reliability rigid connector enables to keep higher durability at shock and vibration environment.
- **Compact size**

0.64 mm wire-to-wire connector with rigid design and spring lock mechanism.  
Spring force prevents half-mating during mating and keeps constant rigid connection between male and female connector.

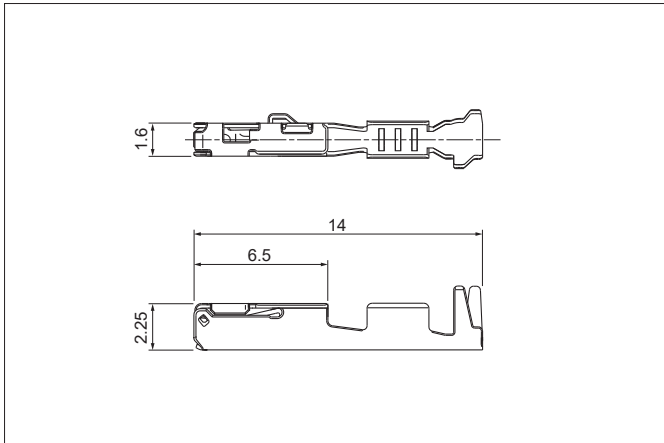


### Specifications

- Current rating: 3 A AC, DC max. (0.3 mm<sup>2</sup>)  
5 A AC, DC max. (0.5 mm<sup>2</sup>)
- Withstanding voltage: 1,000 VAC/minute
- Temperature range: -40°C to +80°C  
(including temperature rise in applying electrical current)
- Contact resistance: Initial value/ 10 mΩ max.  
After environmental tests/ 20 mΩ max.
- Insulation resistance: 100 MΩ min.
- Applicable wire: AVSS  
0.3 mm<sup>2</sup> to 0.5 mm<sup>2</sup>

\* Compliant with ELV/RoHS2.  
\* Contact JST for details.

## Female terminal

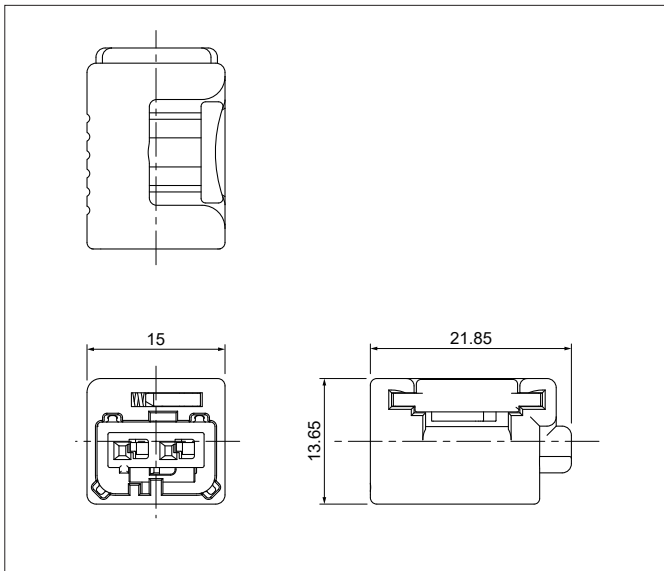


Model No.	Applicable wire range		Q'ty/reel
	Conductor (mm <sup>2</sup> )	Insulation O.D. (mm)	
①SAIT-A03T-M064	0.3 to 0.5	≤1.9	6,500
②SAIT-A03GF-M064	0.3 to 0.5	≤1.9	6,500

### Material and Finish

- ①Copper alloy, tin-plated (reflow treatment)
- ②Copper alloy, nickel-undercoated, Contact area; gold-plated  
Barrel area; tin-plated

## Female connector



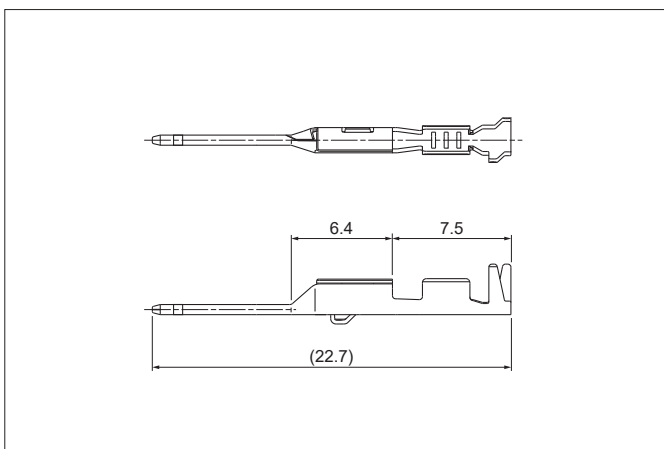
Circuits	Model No.	Q'ty/box
2	<b>BABRB-02-1A-Y( )</b>	300

### Material and Finish

- Housing: PA, Yellow
- Retainer: Glass-filled PBT, Natural
- Slider: Glass-filled PBT, Natural
- Spring: SUS

Note: Key codes other than above-mentioned housing are also available.  
Contact JST for details.

## Male terminal



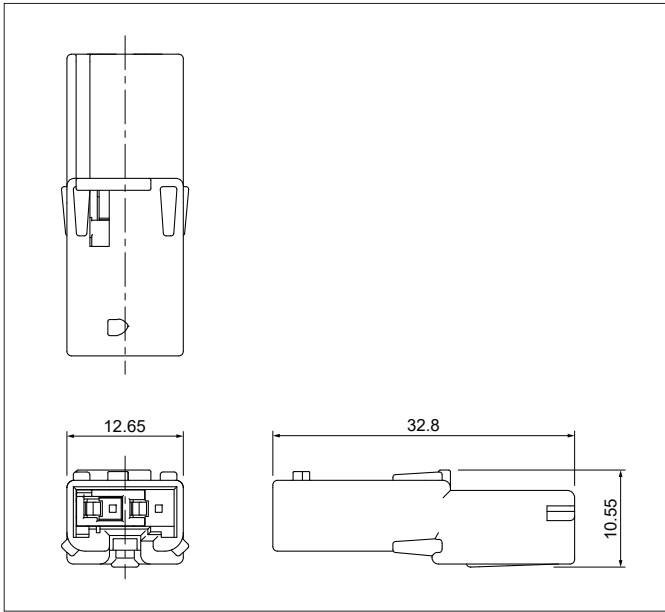
Model No.	Applicable wire range		Q'ty/reel
	Conductor (mm <sup>2</sup> )	Insulation O.D. (mm)	
①SAITW-A03T-064	0.3 to 0.5	≤1.9	9,000
②SAITW-A03GF-064	0.3 to 0.5	≤1.9	9,000

### Material and Finish

- ①Brass, tin-plated (reflow treatment)
- ②Brass, nickel-undercoated, Contact area; gold-plated  
Barrel area; tin-plated

# BAB CONNECTOR

## Male connector



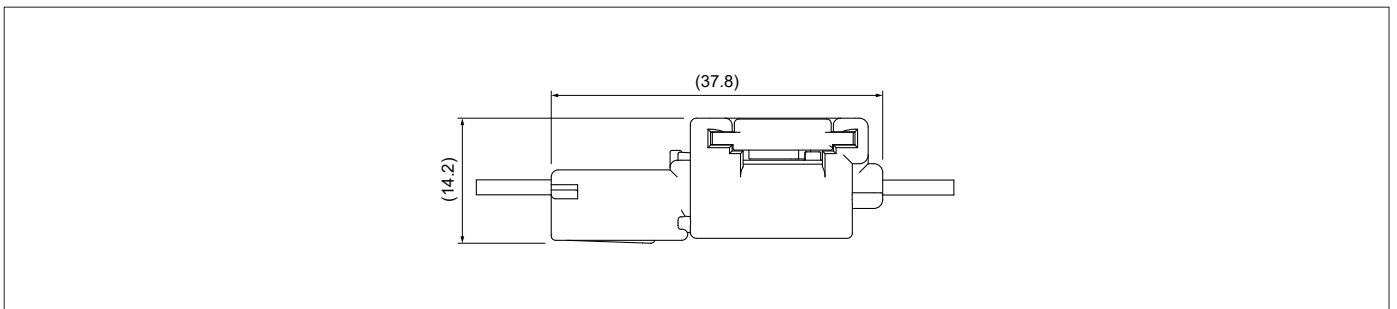
Circuits	Model No.	Q'ty/box
2	<b>BABPB-02-1A-Y( )</b>	300

### Material and Finish

Housing: PA, Yellow  
Retainer: PBT, Natural

Note: Key codes other than above-mentioned housing are also available.  
Contact JST for details.

## Assembly layout



## Crimping machine, Applicator

Strip terminal	Crimping machine	Crimp applicator MKS-L	
		Dies	Crimp applicator with dies
<b>SAIT-A03( )-M064</b>	AP-K2N	MK/SAIT-A03-064	APLMK SAIT-A03-064
<b>SAITW-A03( )-064</b>		MK/SAITW-A03-064	APLMK SAITW-A03-064

Note: When crimping operation is conducted using an applicator and die set other than the above, JST cannot guarantee the performance of the terminal.