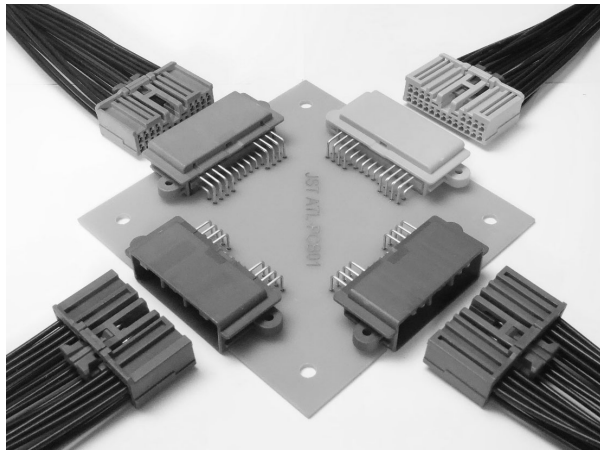
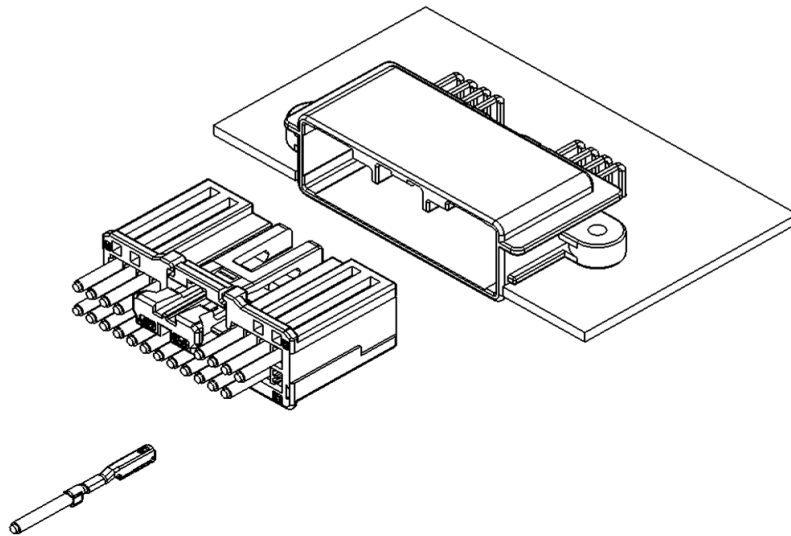


ATLF CONNECTOR

Board-to-wire



21 Circuits 0.64 Unsealed Connector System with CPA and ISL TPA. Ultra-low profile design for high density PCB placement with multiple key codes.



■ Features

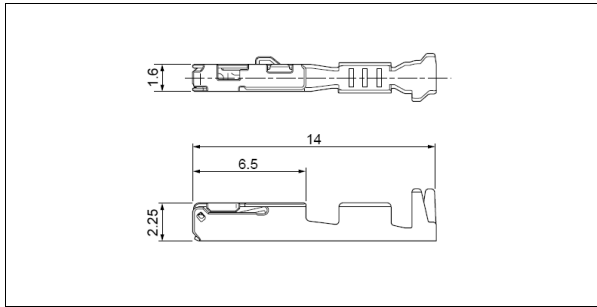
- 21 Circuits: 0.64 Unsealed Connector
- Independent Secondary Lock Terminal Position Assurance (ISL TPA)
- Connector Position Assurance (CPA)
- Unique PCB mounting, Ultra-low profile side entry design
- 9 Unique Physical and Color Key Options
- For Automotive Applications

■ Specifications

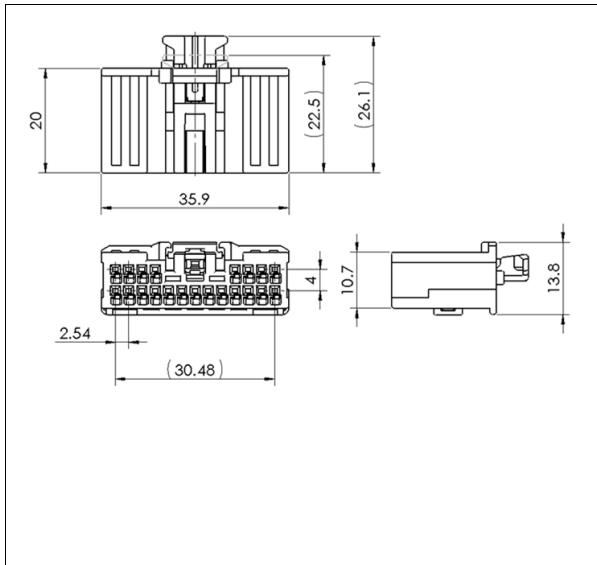
- Current rating : 5 A DC max
- Voltage rating : 14 V DC
- Temperature range : -40°C to +125°C
(including temperature rise in applying electrical current)
- Contact resistance : Initial value/ 15 mΩ max.
After environmental tests/ 15 mΩ max.
- Isolation resistance : 100 MΩ min.
- Applicable wire : ISO
0.35-0.75mm²

*Compliant with ELV/RoHS2.
*Contact JST for details.

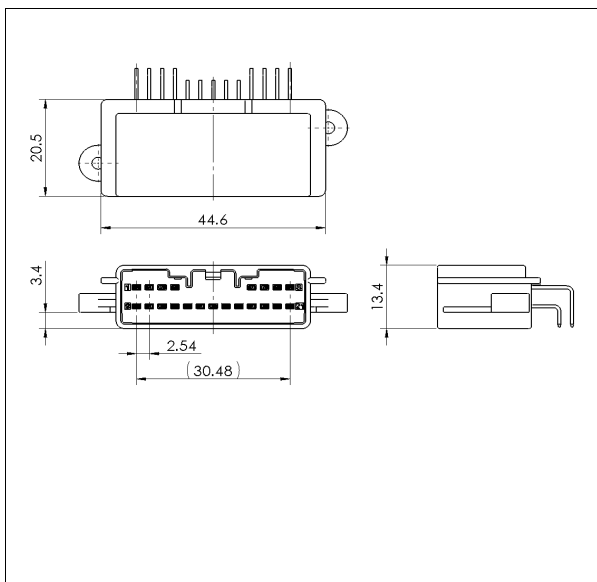
Female terminal



Female connector



Male connector



Model No.	Applicable wire range		Q'ty/reel
	Conductor (mm ²)	Insulation O.D. (mm)	
SAIT-A03T-M064	0.3 to 0.5	≤1.9	6,500
SAIT-A02T-M064	0.75	≤1.9	6,500

Material and Finish

Copper alloy, tin-plated (reflow treatment)

Circuits	Model No.	Key Code	Housing Color	TPA Color	Q'ty/box
21	ATLFPB-21-2GS	G	White	Black	1,000
	ATLFPB-21-2HK	H	Black	Natural	1,000
	ATLFPB-21-2JH	J	Grey	Black	1,000
	ATLFPB-21-2KE	K	Blue	Natural	1,000
	ATLFPB-21-2LM	L	Green	Natural	1,000
	ATLFPB-21-2MPK	M	Pink	Black	1,000
	ATLFPB-21-2NP	N	Purple	Natural	1,000
	ATLFPB-21-2PN	P	Brown	Natural	1,000
	ATLFPB-21-2RD	R	Orange	Black	1,000

Material and Finish

Housing: PBT
 TPA: Glass-filled PBT
 CPA: Glass-filled PBT, Red

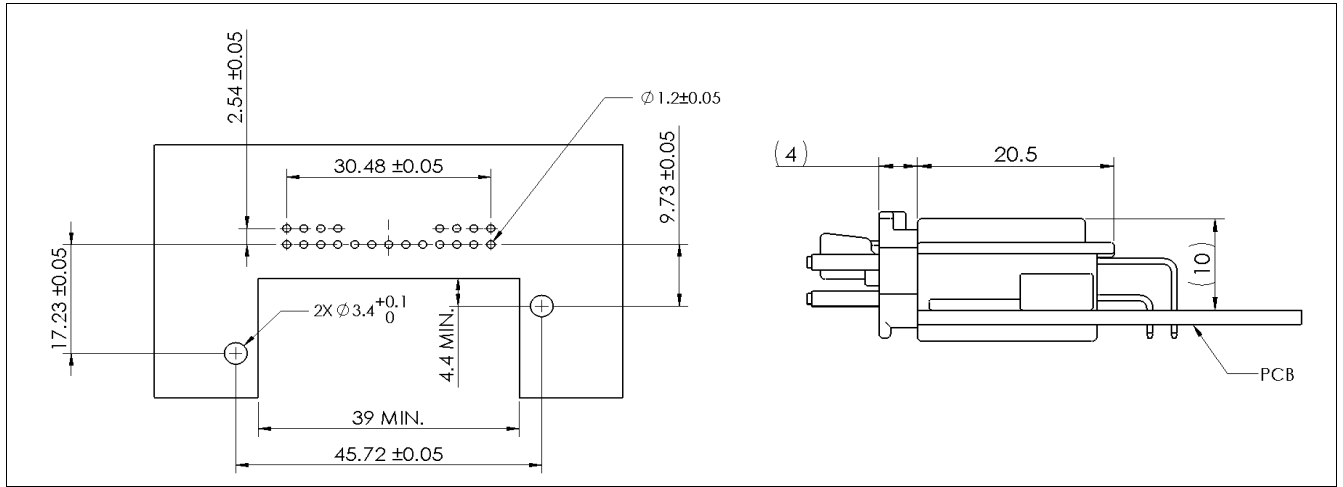
Circuits	Model No.	Key Code	Housing Color	Q'ty/box
21	S21B-ATLF-2GS	G	White	700
	S21B-ATLF-2HK	H	Black	700
	S21B-ATLF-2JH	J	Grey	700
	S21B-ATLF-2KE	K	Blue	700
	S21B-ATLF-2LM	L	Green	700
	S21B-ATLF-2MPK	M	Pink	700
	S21B-ATLF-2NP	N	Purple	700
	S21B-ATLF-2PN	P	Brown	700
	S21B-ATLF-2RD	R	Orange	700

Material and Finish

Housing: Glass-filled PBT
 Pin: Brass, tin-plated

ATLF CONNECTOR

PC Board layout, Assembly layout



Crimping machine, Applicator

Strip terminal	Crimping machine	Crimp applicator MKS-L	
		Dies	Crimp applicator with dies
SAIT-A03T-M064	AP-K2N	MK/SAIT-A03-064	APLMK SAIT-A03-064
SAIT-A02T-M064		MK/SAIT-A02-064	APLMK SAIT-A02-064

Note: When crimping operation is conducted using an applicator and die set other than the above, JST cannot guarantee the performance of the terminal.