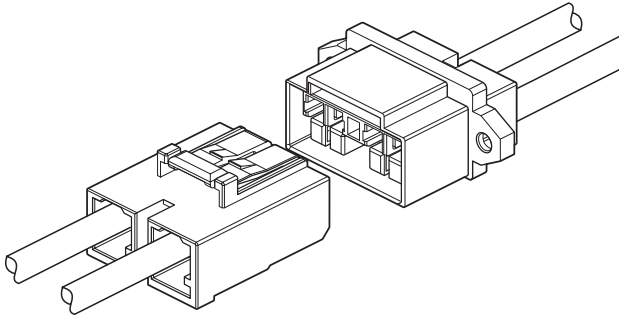


FAH CONNECTOR

16mm pitch/Disconnectable Crimp style Wire-to-wire connectors



One-touch connection and disconnection connector corresponding to high current. This is a wire to wire connector, which current rating is 50 A capability in 2-circuit, and male and female contacts of this connector is designed as the same shape.

- Finger protection feature on both housings
- Prevention of false mating
- High reliability

Specifications

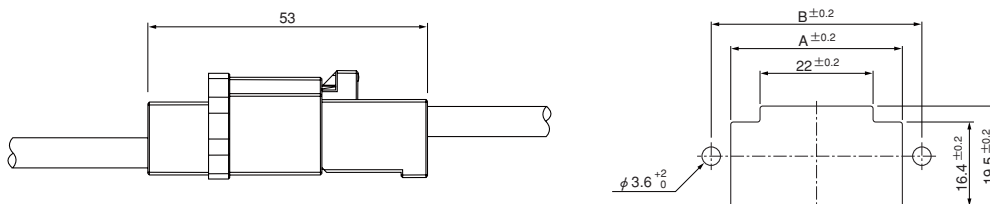
- Current rating: 50 A AC, DC (2-circuit / AWG #8)
 - Voltage rating: 600 V AC, DC
 - Temperature range: -25°C to +85°C
(including temperature rise in applying electrical current)
 - Contact resistance: Initial value/ 2 mΩ max.
After environmental tests/ 5 mΩ max.
 - Insulation resistance: 100 MΩ min.
 - Withstanding voltage: 3,000 VAC/minute
 - Applicable wire: AWG #10 to #8
- * Refer to "General Instruction and Notice when using Terminals and Connectors" at the end of this catalog.
* Contact JST for details.
* Compliant with RoHS.

Standards

Recognized E 60389

J50343864

Assembly layout

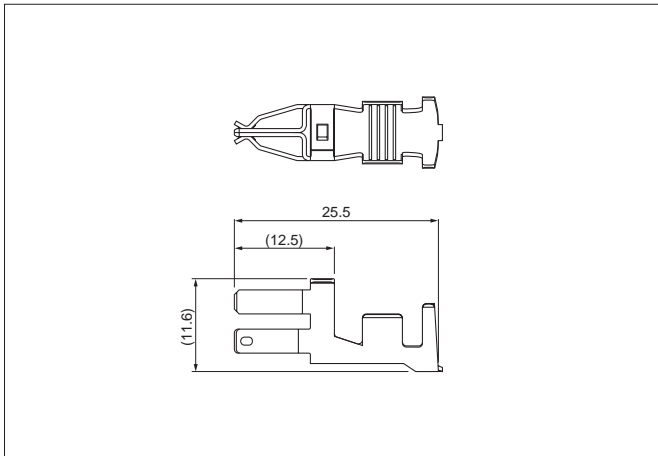


- Note: 1. Punch holes in the panel according to the figures shown above. Burrs must be removed.
2. The strength of the panel must be considered when punching two or more holes.
3. The connector must be inserted from the same side as the hole is punched.

Circuits	Dimensions (mm)	
	A	B
2	33.4	41.0

FAH CONNECTOR

Contact (Common use in Receptacle and Tab)



Model No.	Applicable wire		Insulation O.D. (mm)	Q'ty/ reel
	mm ²	AWG#		
SFAH-A1GC(Z)-M3	8.0	8	5.5~7.8	500
SFAH-91GC(Z)-M3	5.5	10	4.6~5.3	500

Material and Finish

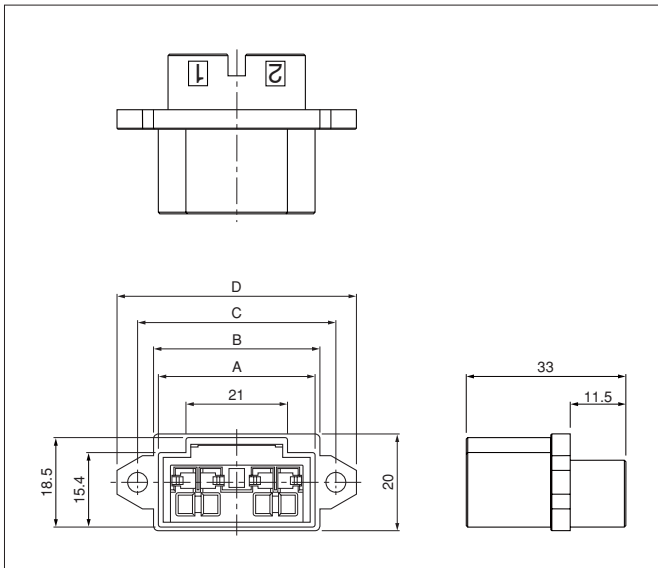
Copper alloy, nickel-undercoated, selective gold-plated

RoHS compliance

Contact	Crimping machine	Applicator		
		Crimp applicator	Dies	Crimp applicator with dies
SFAH-A1GC(Z)-M3	AP-K6A	MKS-L-FAH	MK/SFAH-A1-M3	APLMK SFAH-A1-M3
SFAH-91GC(Z)-M3	AP-K2N	MKS-L-FAH-K2	MK/SFAH-91-M3	APLMK SFAH-91-M3

Note: Contact JST for hand tooling and battery tooling.

Receptacle housing



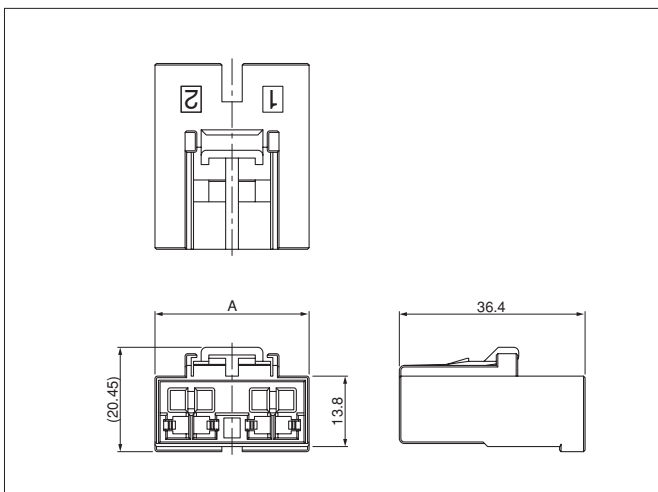
Circuits	Model No.	Dimensions (mm)				Q'ty/ box
		A	B	C	D	
2	FAH-F02V-K	32.4	34.4	41.0	49.5	400

Material

Thermoplastic resin, UL94V-0, black

RoHS compliance

Tab housing



Circuits	Model No.	Dimensions (mm)	Q'ty/bag
		A	
2	FAH-M02V-K	30.2	400

Material

Thermoplastic resin, UL94V-0, black

RoHS compliance