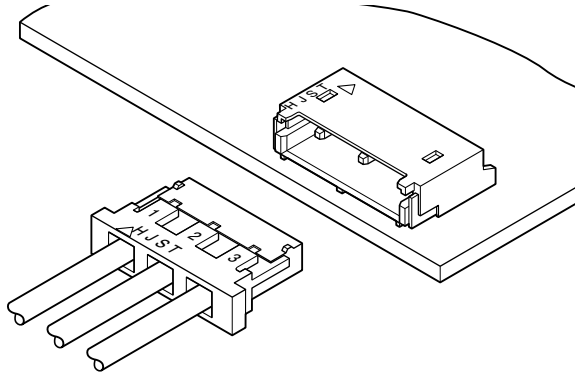




# BH CONNECTOR

4.0/8.0/12.0 mm pitch/Disconnectable Crimp style connectors



Low profile connectors with high withstanding voltage, designed for connecting liquid crystal display back light lamps to their starters.

- Low profile
- SMT configuration
- Applicable to special wires
- Headers with locating bosses
- Housing lock also serves as polarizing device

## Specifications

- Current rating: 1.0 A AC/DC (AWG #22)
  - Voltage rating: 600 V AC/DC
  - Temperature range: -25°C to +85°C  
(including temperature rise in applying electrical current)
  - Contact resistance: Initial value/ 10 mΩ max.  
After environmental tests/ 20 mΩ max.
  - Insulation resistance: 1,000 MΩ min.
  - Withstanding voltage: 1,800 VAC/minute
  - Applicable wire: AWG #28 to #22
- \* In using the products, refer to "Handling Precautions for Terminals and Connectors" described on our website (Technical documents of Product information page).
- \* RoHS2 compliance
- \* Dimensional unit: mm
- \* Contact JST for details.

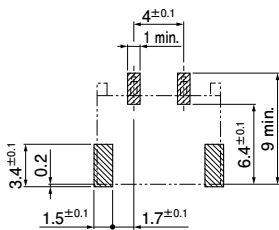
## Standards

- Ⓜ Recognized E60389
- Ⓢ Certified LR20812

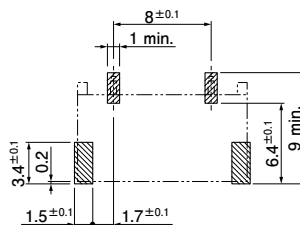
## PC board layout (viewed from component side)

### SMT type

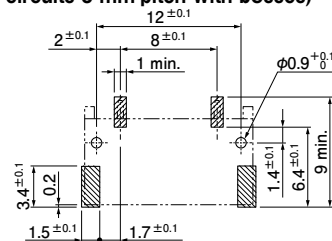
(2 circuits 4 mm pitch)



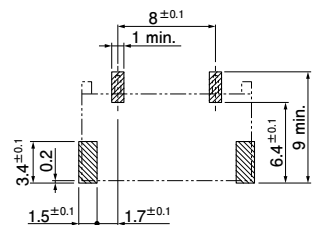
(2 circuits 8 mm pitch)



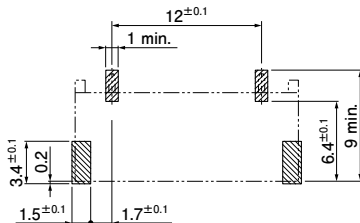
(2 circuits 8 mm pitch with bosses)



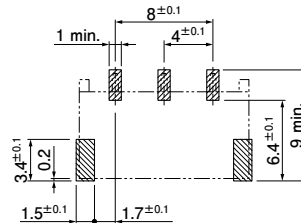
(2 circuits 8 mm pitch plugged up)



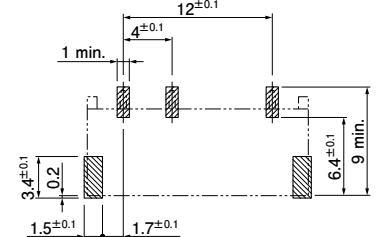
(2 circuits 12 mm pitch)



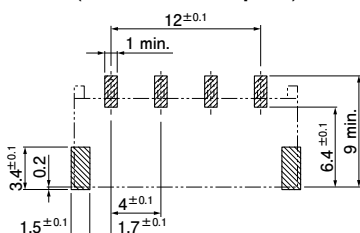
(3 circuits 4 mm pitch)



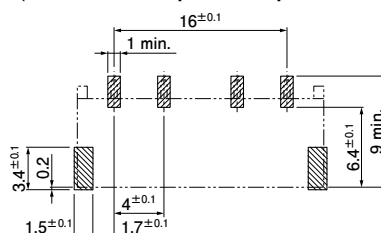
(3 circuits 4 mm pitch plugged up)



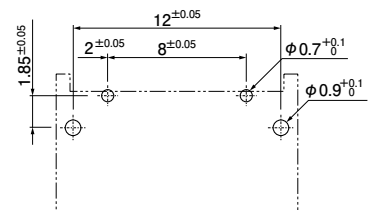
(4 circuits 4 mm pitch)



(4 circuits 4 mm pitch with post removed)



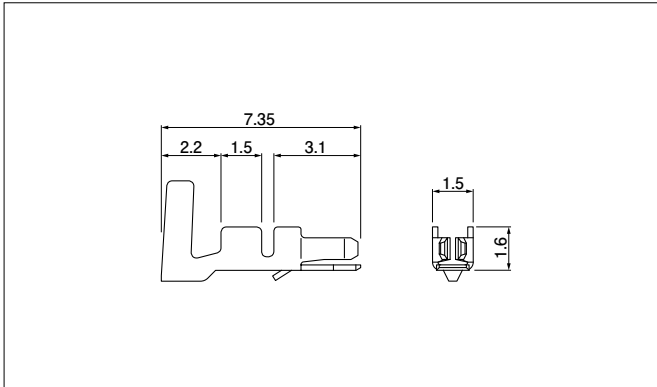
### Through-hole type



Note: 1. Tolerances are for pattern non-cumulative: ± 0.05 mm for all centers. Tolerance for hole size is ± 0.1.  
2. Hole dimensions differ according to the type of PC board and piercing method. The dimensions above should serve as guideline. Contact JST for details.

# BH CONNECTOR

## Contact



| Model No.     | Applicable wire |       | Insulation O.D. (mm) | Q'ty/reel |
|---------------|-----------------|-------|----------------------|-----------|
|               | mm <sup>2</sup> | AWG # |                      |           |
| SBH-001T-P0.5 | 0.08~0.33       | 28~22 | 1.6 ~2.4             | 4,000     |

### Material and Finish

Phosphor bronze, tin-plated (reflow treatment)

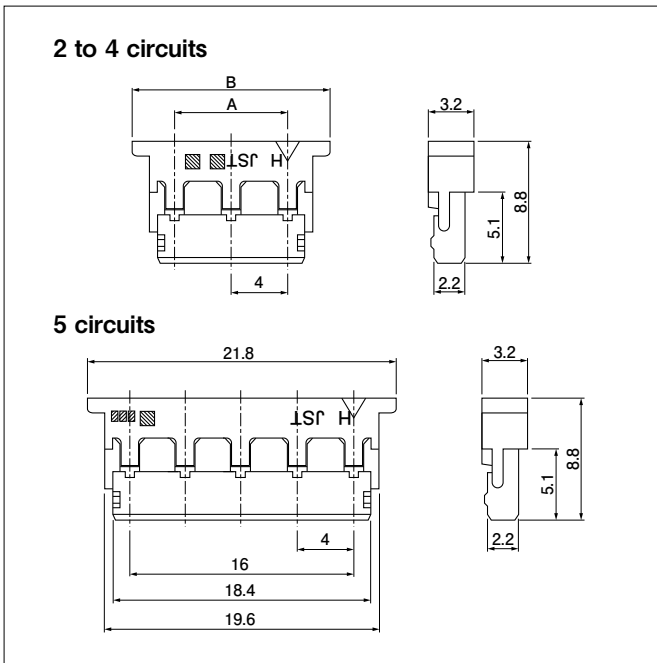
### RoHS2 compliance

Note: Wire conductors should be tin-plated annealed copper strands.

| Contact       | Crimping machine | Applicator       |                 |                            |
|---------------|------------------|------------------|-----------------|----------------------------|
|               |                  | Crimp applicator | Dies            | Crimp applicator with dies |
| SBH-001T-P0.5 | AP-K2N           | MKS-L            | MK/SBH/M-001-05 | APLMK SBH/M001-05          |

Note: Contact JST for fully automatic crimping applicator.

## Housing



| No. of circuits | Pitch (mm) | Model No.        | Dimensions (mm) |      | Q'ty/bag |
|-----------------|------------|------------------|-----------------|------|----------|
|                 |            |                  | A               | B    |          |
| 2               | 4          | BHR-02VS-1       | 4.0             | 9.8  | 1,000    |
|                 | 8          | BHR-03VS-1       | 8.0             | 13.8 | 1,000    |
|                 | Note1) 8   | BHR-02(8.0)VS-1N | 8.0             | 13.8 | 1,000    |
|                 | 12         | BHR-04VS-1       | 12.0            | 17.8 | 1,000    |
| 3               | 4          | BHR-03VS-1       | 8.0             | 13.8 | 1,000    |
|                 | Note2) 4   | BHR-03(4-3)VS-1N | 12.0            | 17.8 | 1,000    |
| 4               | 4          | BHR-04VS-1       | 12.0            | 17.8 | 1,000    |
| 5               | 4          | BHR-05VS-1       | 16.0            | 21.8 | 1,000    |

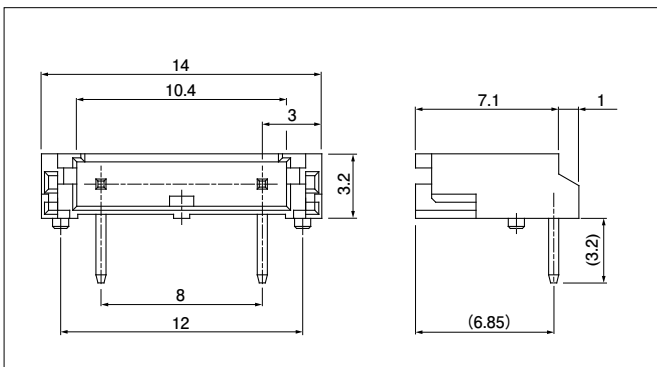
### Material and Finish

PA 66, UL94V-0, natural (white)

### RoHS2 compliance

Note: 1. BHR-02(8.0)VS-1N: 2 circuits 8.0 mm pitch plugged up.  
2. BHR-03(4-3)VS-1N: 4 circuits 4.0 mm pitch header with circuit No.3 plugged up.

## Through-hole type shrouded header



| No. of circuits | Pitch (mm) | Model No.     | Q'ty/tray |
|-----------------|------------|---------------|-----------|
| 2               | 8          | S02(8.0)B-BHS | 1,000     |

### Material and Finish

Post: Copper alloy, copper-undercoated, tin-plated (reflow treatment)  
Wafer: PA, UL94V-0, natural (ivory)

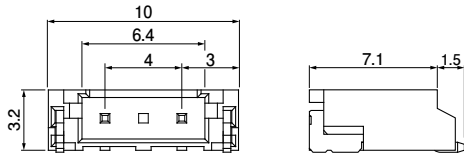
### RoHS2 compliance

This product displays (LF)(SN) on a label.

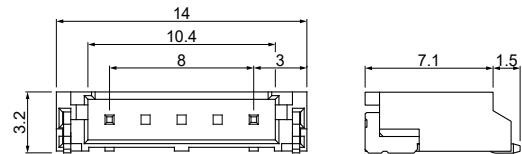
Note: The applicable housing is "BHR-02(8.0)VS-1N" only.

## SMT type shrouded header

(2 circuits 4 mm pitch)

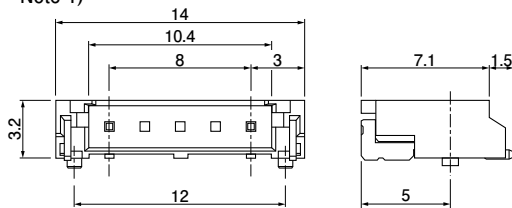


(2 circuits 8 mm pitch)



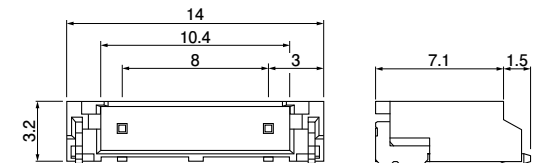
(2 circuits 8 mm pitch with bosses)

Note 1)



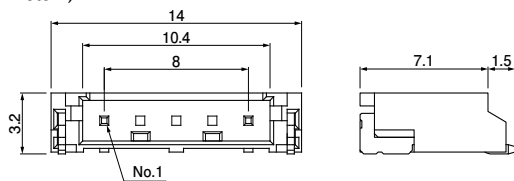
(2 circuits 8 mm pitch plugged up)

Note 2)

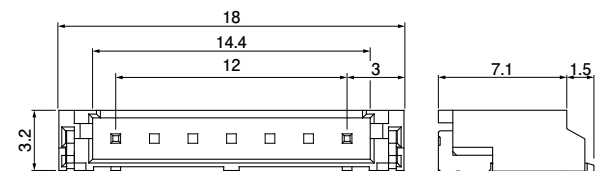


(2 circuits 8 mm pitch with ribs against prying)

Note 4)

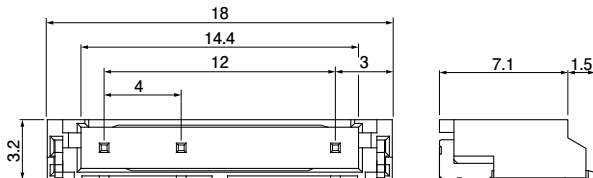


(2 circuits 12 mm pitch)

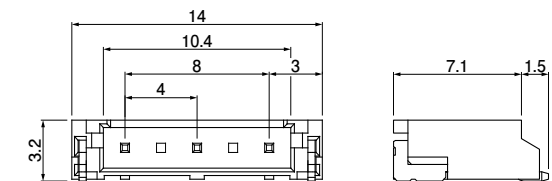


(3 circuits 4 mm pitch plugged up)

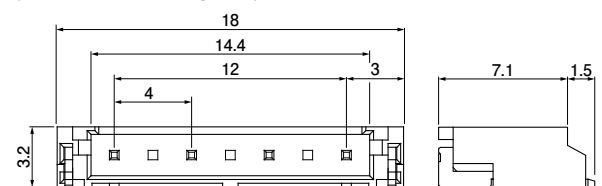
Note 3)



(3 circuits 4 mm pitch)

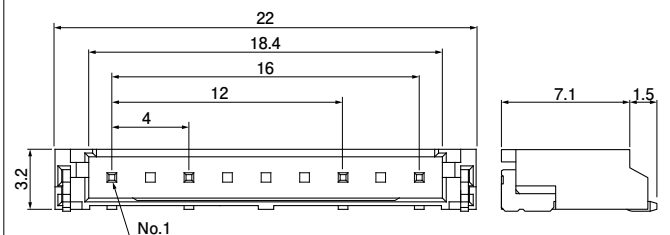


(4 circuits 4 mm pitch)



(4 circuits 4 mm pitch with post removed)

Note 5)



| No. of circuits | Pitch(mm) | Model No.             | Q'ty/reel |
|-----------------|-----------|-----------------------|-----------|
| 2               | 4         | SM02(4.0)B-BHS-1-TB   | 1,000     |
|                 | 8         | SM02(8.0)B-BHS-1-TB   | 1,000     |
|                 | Note1) 8  | SM02(8.0)B-BHS-TB     | 1,000     |
|                 | Note2) 8  | SM02(8.0)B-BHS-1N-TB  | 1,000     |
|                 | Note4) 8  | SM02(8.0)B-BHS-1R-TB  | 1,000     |
| 3               | 12        | SM02(12)B-BHS-1-TB    | 1,000     |
|                 | 4         | SM03(4.0)B-BHS-1-TB   | 1,000     |
| 4               | Note3) 4  | SM03(7-D1)B-BHS-1N-TB | 1,000     |
|                 | 4         | SM04(4.0)B-BHS-1-TB   | 1,000     |
| 5               | Note5) 4  | SM04(9-E2)B-BHS-1-TB  | 1,000     |

### Material and Finish

Post: Copper alloy, copper-undercoated, tin-plated (reflow treatment)  
 Wafer: PA, UL94V-0, natural (ivory)  
 Solder tab: Brass, copper-undercoated, tin-plated (reflow treatment)

**RoHS2 compliance** This product displays (LF)(SN) on a label.

Note: 1. Header with bosses. Contact JST for other circuits headers with bosses.

2. 2 circuits 8.0 mm pitch plugged up.

3. 4 circuits 4.0 mm pitch header with circuit No.3 plugged up.

4. Header with ribs against prying. Contact JST for other circuits headers with ribs against prying.

5. 5 circuits 4.0 mm pitch header with circuit No.3 post removed.

6. The products listed above are supplied on embossed tape.

7. Products with bosses supplied in loose piece are also available. Contact JST for details.