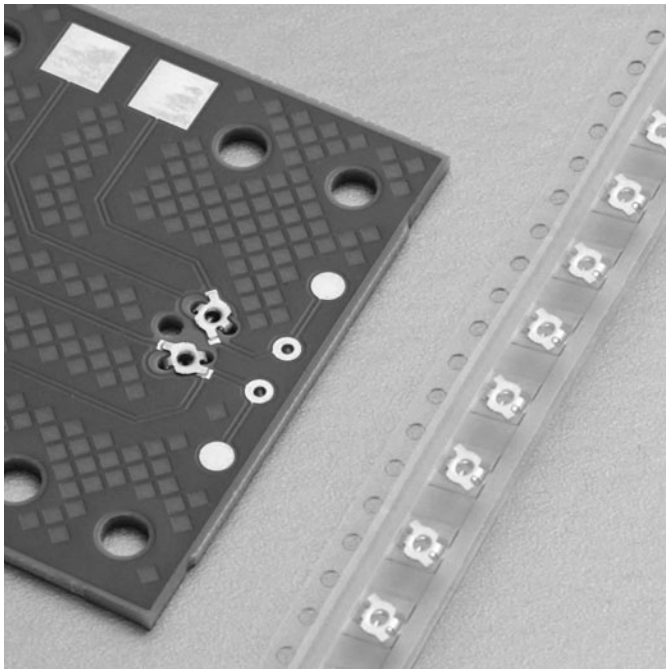


SBO2 CONNECTOR

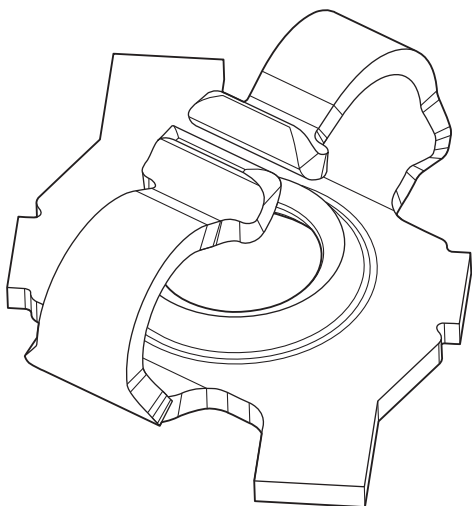
Board-to-board



Features

- **Surface Mounting Type Connector for Automotive.**
- **Low profile**
Connector is completely inside thickness of PCB
(PCB thickness minimum 1.44 mm).
Total height connector is 1.50 mm max.
- **Connecting with square 0.5 and diameter 0.8 mm round pins.**
- **Minimum pitch: 3.9 x 5.08 mm**
(Flexibility on PCB position.)

This contact can be placed anywhere on a PCB.
This makes it flexible to connect with other male components with different pitches and different numbers of pins.
The receptacle is designed inside the PCB thickness.
This makes it possible to have reflow processes on both sides of the PCB without damaging the SBO contact.

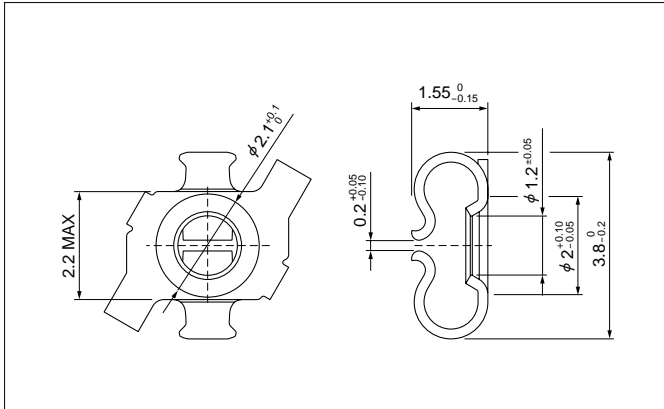


Specifications

- Current rating: 3 A AC, DC
- Voltage rating: 24 V AC, DC
- Temperature range: -40°C to +105°C
(including temperature rise in applying electrical current)
- Contact resistance: Initial/ 8 mΩ max.
After environmental tests/ 20 mΩ max.
- Insulation resistance: 100 MΩ min.
- Withstanding voltage: 200 VAC/minute
- Counterpart: square 0.5 and diameter 0.8 mm round pins.
(Contact JST for other pin dimensions)

* Compliant with ELV/RoHS.
* Contact JST for details.

Connector

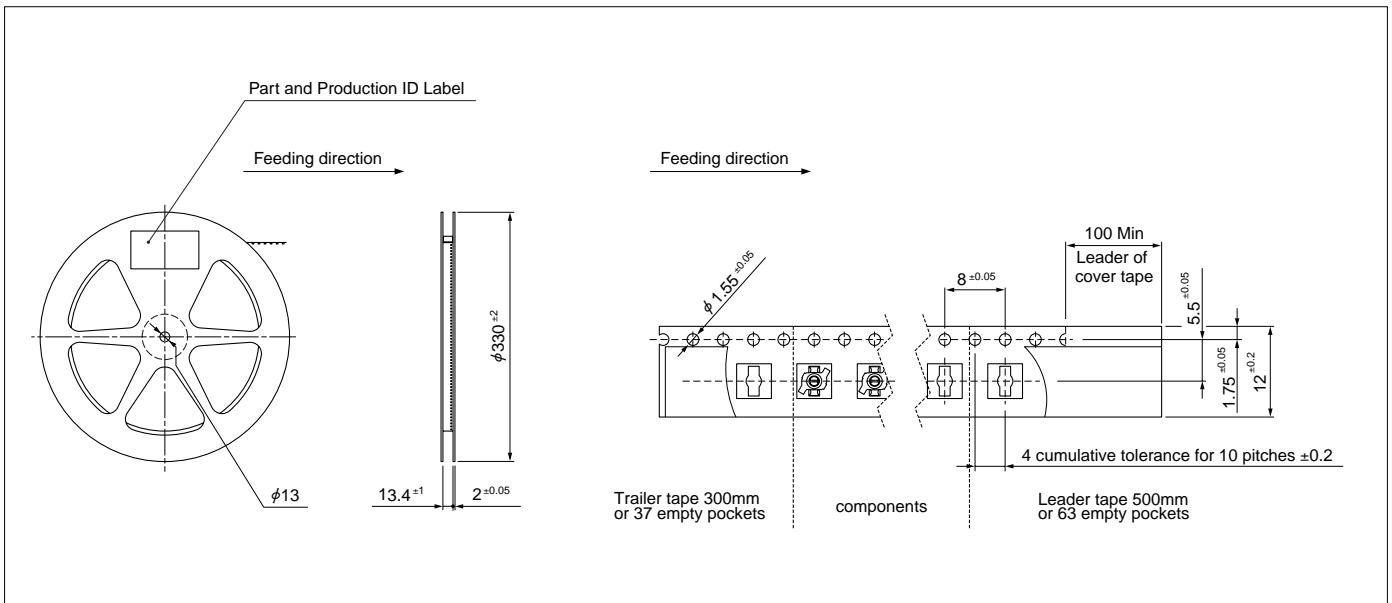


Circuits	Model No.	Q'ty/reel
Single	SSBO2-0.2SPT-M0.55-L LF	3,500
Material and Finish		

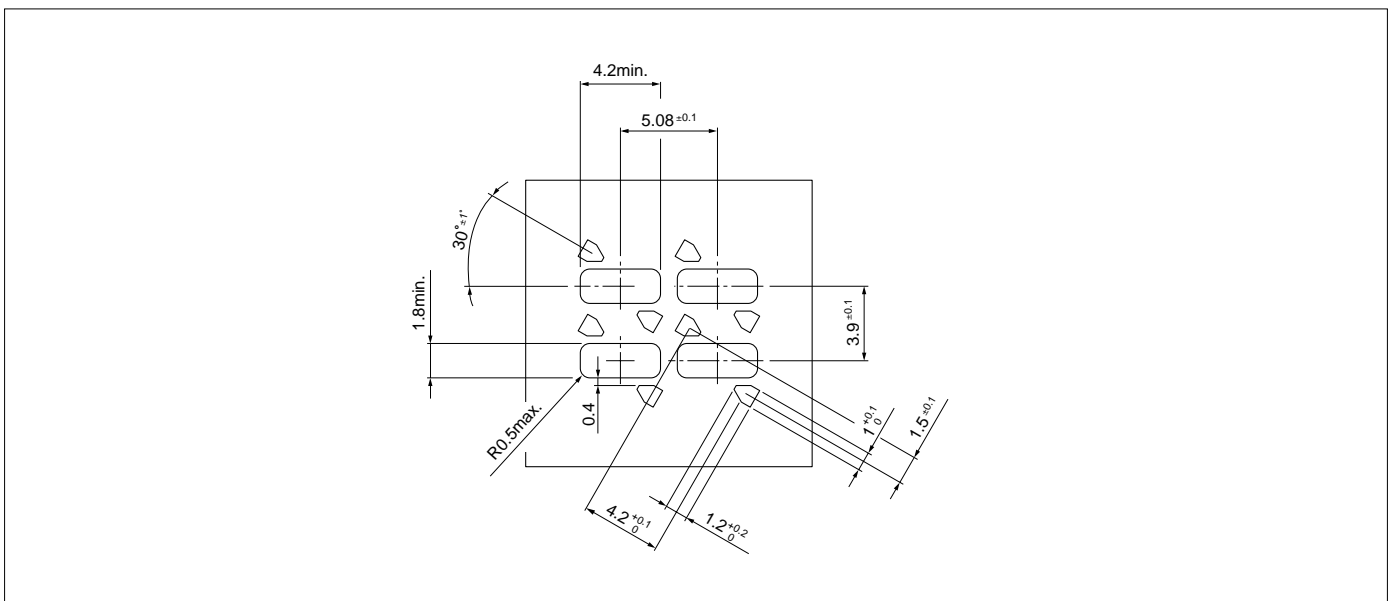
Terminal: Copper alloy, tin-plated

Note: Contact JST for details.

Taping specifications



PC board layout



- Note: 1. Tolerances are non-cumulative: ± 0.05 mm for all centers.
2. The dimensions above should serve as guideline. Contact JST for details.