

# NEW PRODUCT

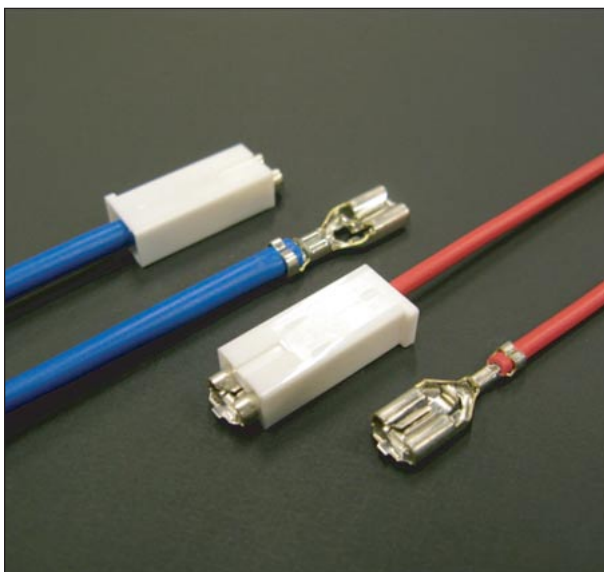
# JST

Single circuit

## PS CONNECTOR

Short type thin shape housing

This is a short type thin shape housing that the tip of contact protrudes from the housing. The same prevention mechanism of tab incorrect insertion as conventional product has been provided, and the space saving has been also achieved by making the thickness of housing to approximately 1.0 mm. The connection with the terminal board which can't be mated with the conventional product has enabled.



### ■ Features

#### ● Prevention mechanism of tab incorrect insertion

Realize the mechanism to prevent the incorrect insertion that the tab enters into the gap between housing and contact when mating.

#### ● Thin shape housing

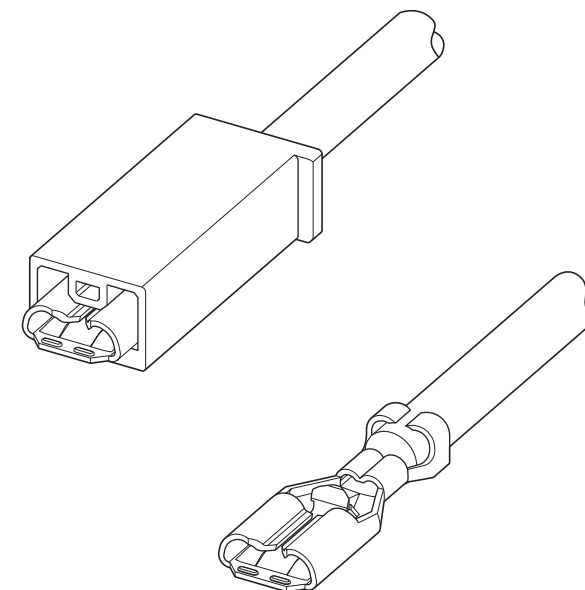
Space saving has been achieved by making the housing of approximately 1.0 mm thick that is thinner than the conventional product.

#### ● Secure lock mechanism and low insertion force

Wire size from AWG #22 to AWG #10 can be used.

### ■ Specifications

- Current rating : 25 A AC, DC (AWG#10)
- Voltage rating : 250 V AC,DC
- Temperature : - 40°C to +105°C (including temperature range rise in applying electrical current)
- Contact : Initial value / 3 mΩ max.  
resistance After environmental tests / 6 mΩ max.
- Insulation : 1,000 MΩ min.  
resistance
- Withstanding : AC 2,000 V / 1 minute  
voltage
- Applicable : Conductor size / AWG #22 to AWG #10  
wire Insulation O.D. / 1.5 to 4.7 mm
- Mating tab : 0.8 mm  
thickness
- Part number : Contact / 21 barrel SPS-21T-250R  
61 barrel SPS-61T-250R  
91 barrel SPS-91T-250R  
: Housing / PS-250-GL



## J.S.T. MFG. CO., LTD.

<http://www.jst-mfg.com>