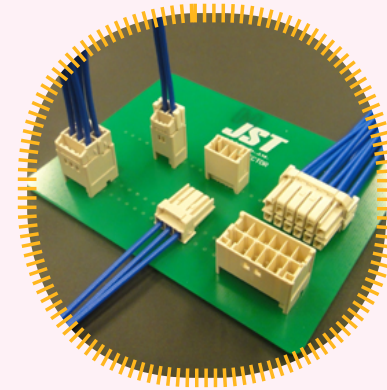


HERE THEY ARE !

OUR TWO LAST NEW JST FAMILIES:

BNI

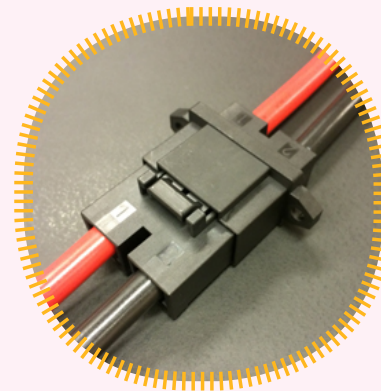
WTB CRIMP STYLE CONNECTOR
3.3 MM PITCH



JST BRAND NEW FAMILIES

16 MM PITCH
WTW CRIMP STYLE CONNECTOR

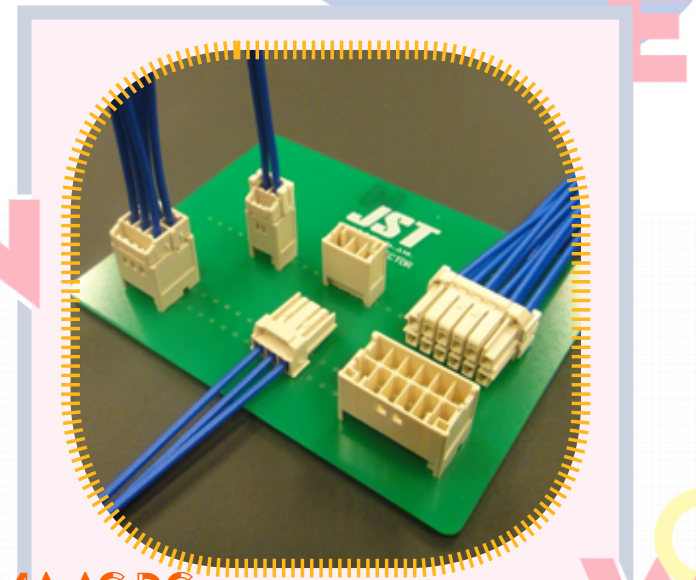
FAH



JST

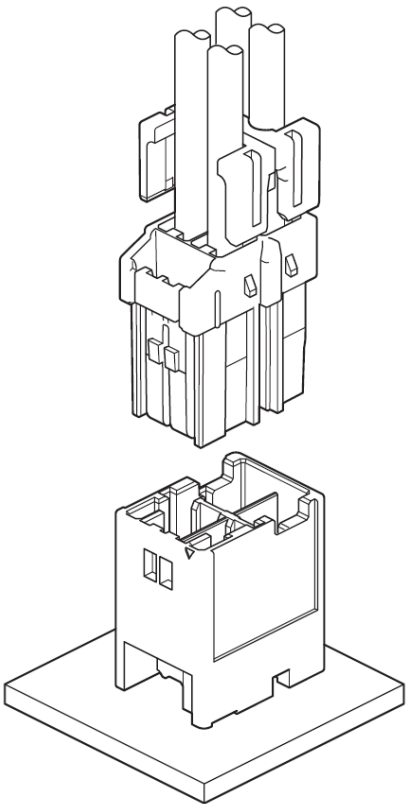
- ◆ KEYING STRUCTURE
- ▣ SECURE LOCKING DEVICE
- ▣ INERTIA LOCK STRUCTURE
- ◆ POSSIBLE TO USE THE RETAINER
- ▣ HEADER DEALING WITH POTTING TREATMENT
- ▲ DISCONNECTABLE CRIMP STYLE CONNECTOR
- 3 TYPE KEY PATTERNS

WTB CONNECTOR



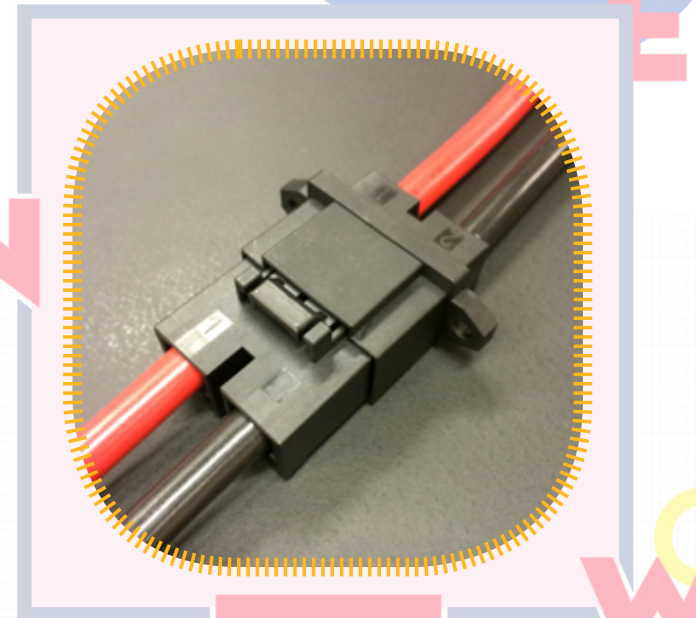
▣ 3.0 MM PITCH

- CURRENT RATING: 4A AC,DC.
- ▣ VOLTAGE RATING: 300V AC,DC.
- ◆ TEMPERATURE RANGE: -25°C TO +85°C.
- ▣ CONTACT RESISTANCE : INITIAL VALUE/ 10MΩ MAX.
AFTER ENVIRONMENTAL TESTS/ 20MΩ MAX.
- ◆ INSULATION RESISTANCE: 1 000MΩ MIN.
- ▲ WITHSTANDING VOLTAGE: 1 500VAC/ MINUTE.
- ◆ APPLICABLE WIRE: CONDUCTOR SIZE/ AWG #24 TO #20
INSULATION O.D. 1.3MM TO 2.5MM.
- APPLICABLE PCB THICKNESS: 1.6MM.



- ◆ FINGER PROTECTION FEATURE ON BOTH HOUSINGS
- REVENTION OF FALSE MATING
- HIGH RELIABILITY
- ◆ MALE & FEMALE CONTACTS ARE DESIGNED IN THE SAME SHAPE
- ONE-TOUCH CONNECTION & DISCONNECTION
- ▲ DISCONNECTABLE CRIMP STYLE CONNECTOR
- CAPABILITY IN 2-CIRCUIT

WTW CONNECTOR



▫ 16.0 MM PITCH

- CURRENT RATING: 50A AC,DC.
- VOLTAGE RATING: 600V AC,DC.
- ◆ TEMPERATURE RANGE: -25°C TO +85°C.
- CONTACT RESISTANCE : INITIAL VALUE/ 2MΩ MAX. AFTER ENVIRONMENTAL TESTS/ 5MΩ MAX.
- ◆ INSULATION RESISTANCE: 100MΩ MIN.
- ▲ WITHSTANDING VOLTAGE: 3 000VAC/ MINUTE.
- ◆ APPLICABLE WIRE: CONDUCTOR SIZE/ AWG #10 TO #8

