

JST

THE QUALITY CONNECTION

AUTOMOTIVE BATTERY MANAGEMENT SYSTEM



BATTERY MANAGEMENT SYSTEM

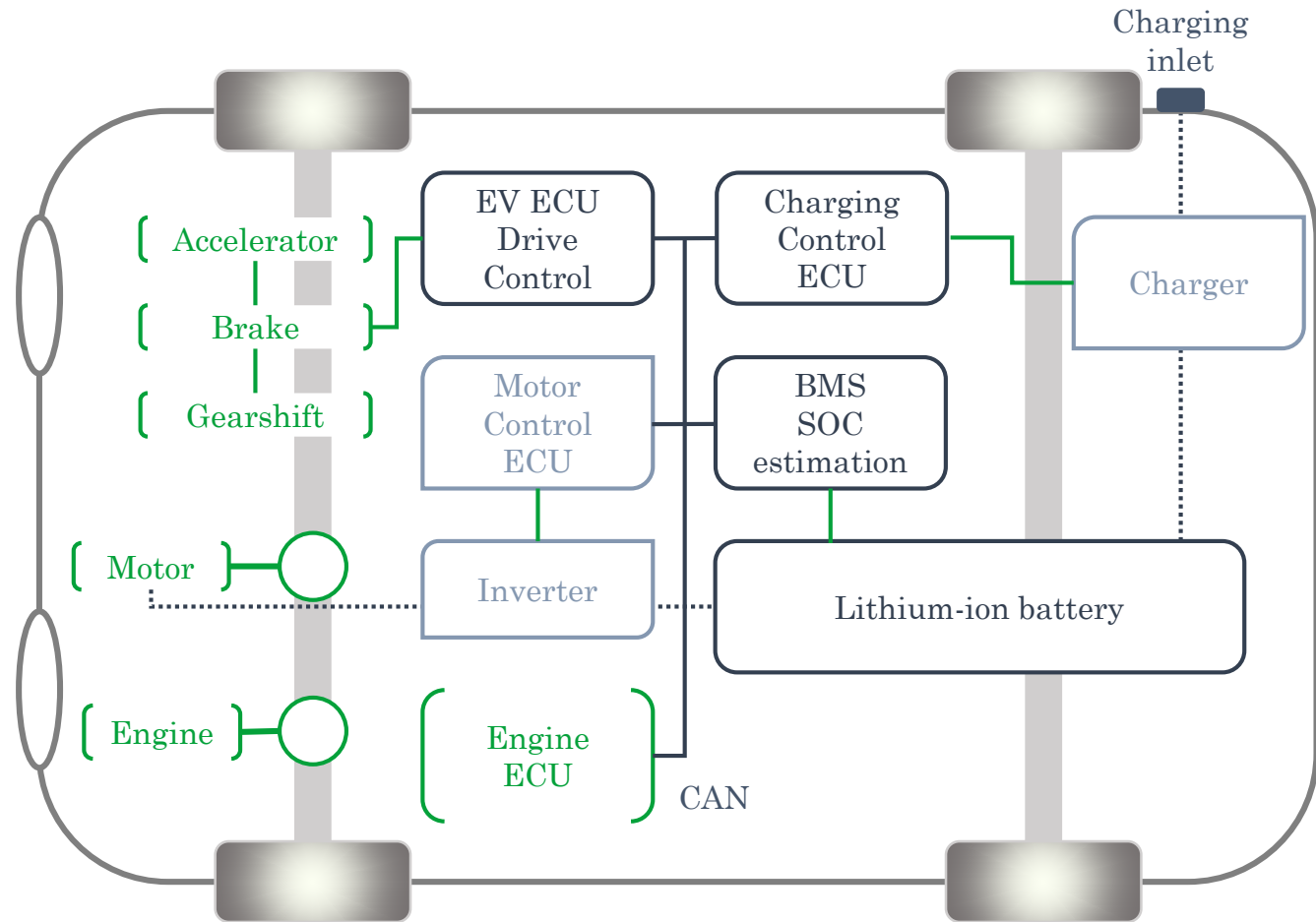
What are the main functions of a BMS ?

Automotive Battery Management Systems (BMS) is able to meet critical features: as voltage, temperature and current monitoring, battery state of charge (SoC) and cell balancing of lithium-ion (Li-ion) batteries.

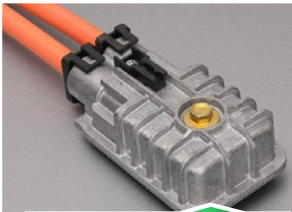
Battery protection for preventing operations outside its safe operating area.

Battery monitoring by estimating the battery pack state of charge (SoC) and state of health (SoH) during charging and discharging.

Battery optimization thanks to cell balancing that improves the battery life and capacity, thus optimizing the driving range for hybrid (HEV), plug-in (PHEV) and full electric vehicles (BEV).



BMS



HVGW



HVGT



SHP2



TLDR



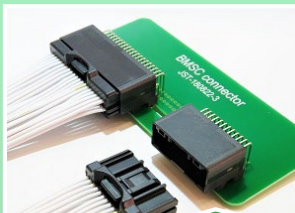
ATLF



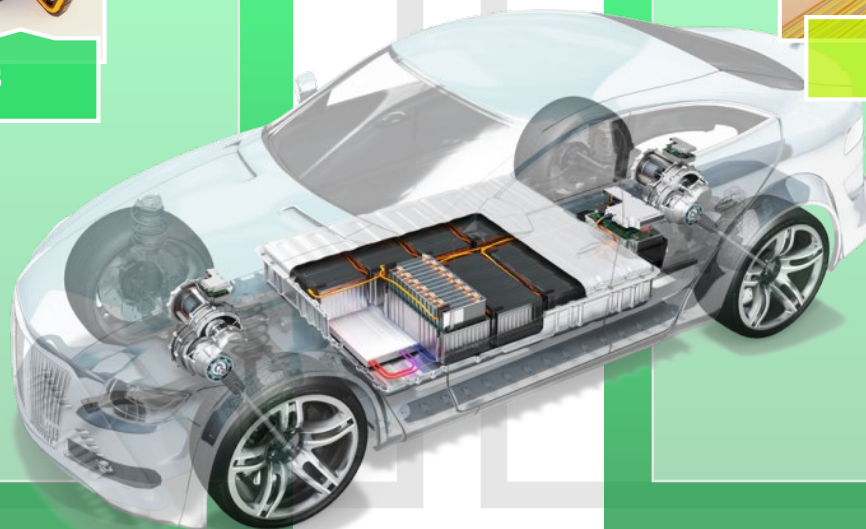
ATSS



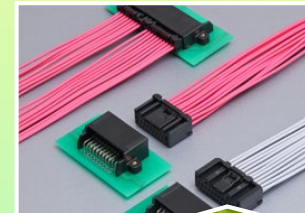
HVD



BMSC



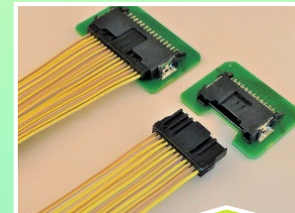
CPT



MEC



CPM



CMEC



ULH



EVZ



HPCU



JST

THE QUALITY CONNECTION

THANK
YOU

www.jst.fr