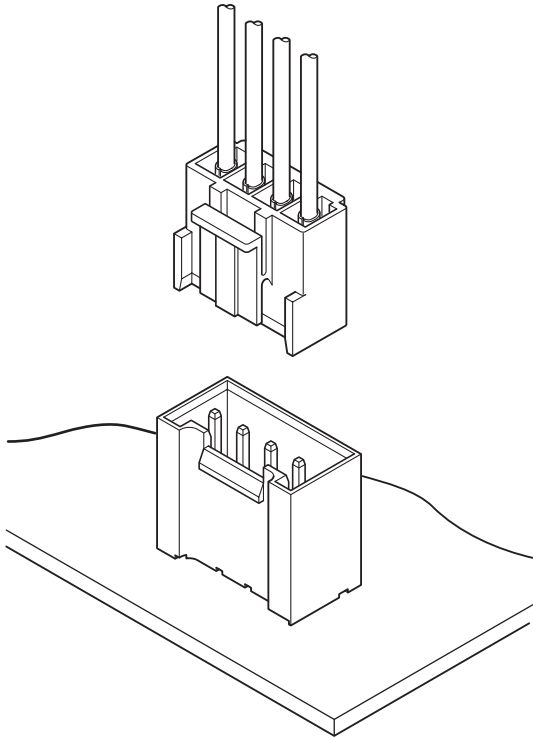


# VH CONNECTOR <High box type>

## 3.96mm pitch/Disconnectable Crimp style connectors



**Header for 3.96mm pitch VH connector for use specifically with resin coated ("potted") PC boards.**

- **Interchangeability**

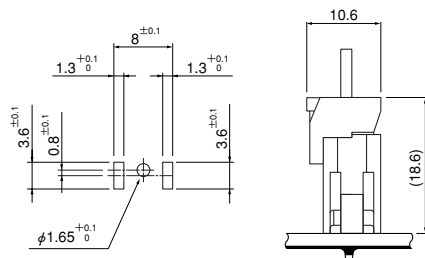
### Specifications

- Current rating: 7 A AC, DC (AWG #18)  
10 A AC, DC (AWG #16)/1 circuit only
  - Voltage rating: 250 V AC, DC
  - Temperature range: -25°C to +85°C  
(including temperature rise in applying electrical current)
  - Contact resistance: Initial value/ 10 mΩ max.  
After environmental tests/ 20 mΩ max.
  - Insulation resistance: 1,000 MΩ min.
  - Withstanding voltage: 1,500 VAC/minute
  - Applicable wire: AWG #22 to #16
  - Applicable PC board thickness: 1.6 mm
- Note: Do not branch in parallel current which exceeds the rated current. If branched in parallel, current imbalance or other problems may develop. If it is absolutely necessary to branch such a large current in parallel, be sure to use contacts made of phosphor bronze. Design the circuits without causing imbalance and provide an extra margin for each circuit.*
- \* Refer to "General Instruction and Notice when using Terminals and Connectors" at the end of this catalog.
  - \* Contact JST for details.
  - \* Compliant with RoHS.

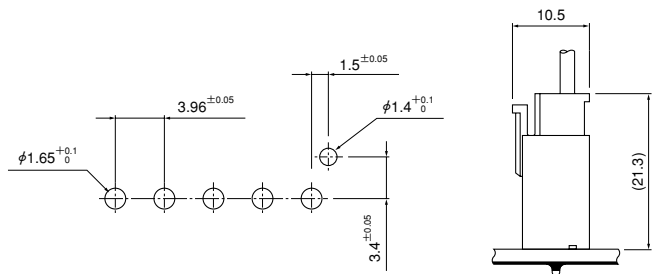
### Standards

- Ⓜ Recognized E60389
- Ⓢ Certified LR20812
- Ⓡ R75122

<Single circuit>



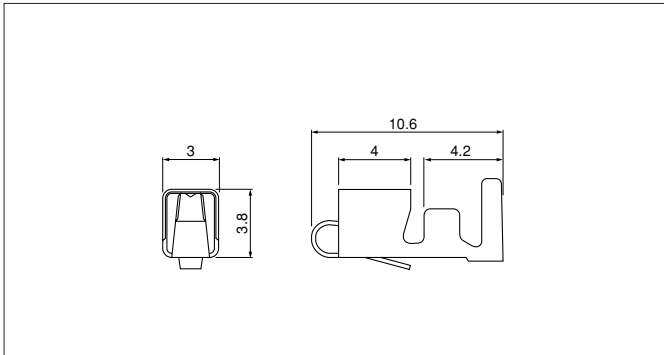
<2 to 8 circuits>



Note: 1. The above figure is the figure viewed from soldering side.  
2. Tolerances are non-cumulative: ±0.05mm for all centers.  
3. Hole dimensions differ according to the type of PC board and piercing method. The dimensions above should serve as a guide line. Contact JST for details.

# VH CONNECTOR (High box type)

## Contact



Contact	Crimping machine	Applicator		
		Crimp applicator	Dies	Crimp applicator with dies
SVH-21T-P1.1	AP-K2N	MKS-L	MK/SVH-21-11	APLMK SVH21-11
		*MKS-SC	SC/SVH-21-11	APLSC SVH21-11

Note: \*Strip-crimp applicator

Model No.	Applicable wire		Insulation O.D. (mm)	Q'ty / reel
	mm <sup>2</sup>	AWG#		
SVH-21T-P1.1	0.33~0.83	22~18	1.7~3.0	4,500
*SVH-41T-P1.1	0.5 ~1.25	20~16	1.7~3.0	3,500

### Material and Finish

Phosphor bronze, tin-plated (reflow treatment)

### RoHS compliance

Note: 1. \*The current rating when combining with 1 circuit is 10A AC, DC (AWG #16.)

2. Contact JST for brass product.

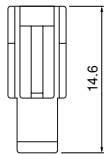
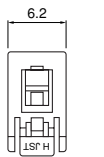
3. When using retainer mountable type housing, applicable wire's insulation O. D. shall be 1.7 to 2.2mm.

Contact	Crimping machine	Applicator		
		Crimp applicator	Dies	Crimp applicator with dies
SVH-41T-P1.1	AP-K2N	MKS-L	MK/SVH-41-11	APLMK SVH41-11
		—	—	—

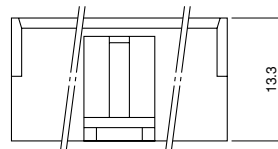
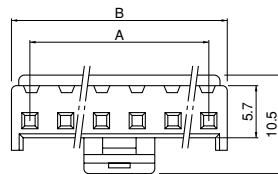
## Housing

### N Type

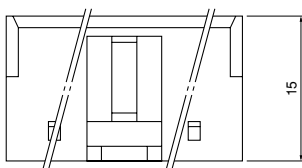
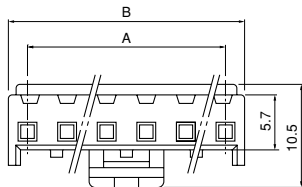
<Single circuit>



<2 to 8 circuits>



### Retainer mountable type



Circuits	Model No.		Dimensions (mm)		Q'ty / bag
	N type	Retainer mountable type	A	B	
1	VHR-1N	—	—	—	1,000
2	VHR-2N	—	3.96	7.86	1,000
3	VHR-3N	VHRR-3N	7.92	11.82	*
4	VHR-4N	—	11.88	15.78	1,000
5	VHR-5N	VHRR-5N	15.84	19.74	*
6	VHR-6N	—	19.80	23.70	500
7	VHR-7N	VHRR-7N	23.76	27.66	500
8	VHR-8N	VHRR-8N	27.72	31.62	500

### Material

PA 6, UL94V-0, natural (white)

### RoHS compliance

\* N type ; 1,000 Retainer mountable type ; 500

<For reference> As the color identification, the following alphabet shall be put in the underlined part.

For availability, delivery and minimum order quantity, contact JST.

ex. VHR-2N-oo

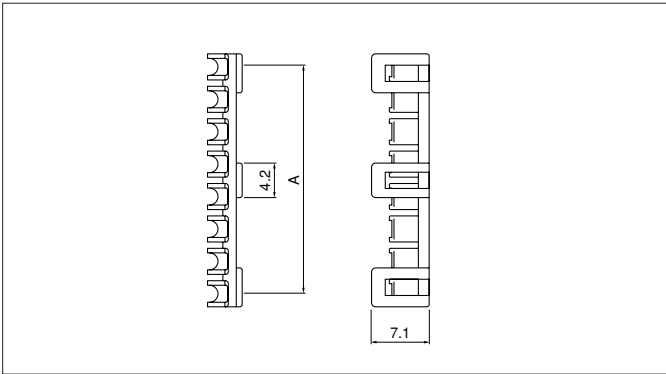
(blank)...natural (white)

BK...black R...red BL...blue M...green D...orange

Y...yellow PK...pink H...gray

# VH CONNECTOR (High box type)

## Retainer



Circuits	Model No.	A	Q'ty / bag
3	<b>VHS-3V</b>	7.52	1,000
5	<b>VHS-5V</b>	15.44	1,000
7	<b>VHS-7V</b>	23.36	1,000
8	<b>VHS-8V</b>	27.32	1,000

### Material

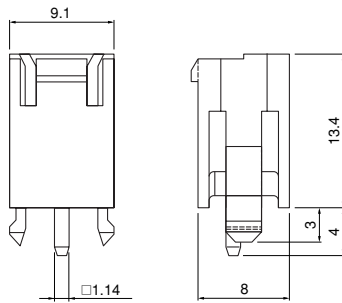
Glass-filled PA 66, UL94V-0, natural (ivory)

### RoHS compliance

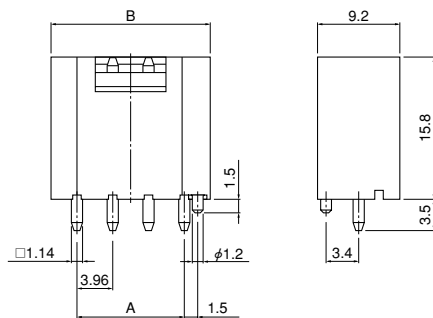
## Shrouded header

### With a boss

#### <Single circuit>



#### <2 to 8 circuits>



Circuits	Model No.	Q'ty / box
	With a boss	
1	<b>BH1P-VH-1</b>	5

### Material and Finish

Post: Brass, copper-undercoated, tin-plated (reflow treatment)  
Wafer: PA 66, UL-94V-0, natural (white)

### RoHS compliance

This product displays (LF)(SN) on a label.

<For reference> As the color identification,

the following alphabet shall be put in the underlined part.

For availability, delivery and minimum order quantity, contact JST.

ex. **BH1P-VH-1-oo**

(blank)...natural (white) BK...black R...red BL...blue

M...green O...orange Y...yellow PK...pink

Circuits	Model No.	Dimensions (mm)		Q'ty / box
	With a boss	A	B	
2	<b>BH2P-VH-1</b>	3.96	9.80	250
3	<b>BH3P-VH-1</b>	7.92	13.76	200
4	<b>BH4P-VH-1</b>	11.88	17.72	150
5	<b>BH5P-VH-1</b>	15.84	21.68	100
6	<b>BH6P-VH-1</b>	19.80	25.64	100
7	<b>BH7P-VH-1</b>	23.76	29.60	100
8	<b>BH8P-VH-1</b>	27.72	33.56	100

### Material and Finish

Post: Brass, copper-undercoated, tin-plated (reflow treatment)  
Wafer: Glass-filled PA 66, UL-94V-0, natural (ivory)

### RoHS compliance

This product displays (LF)(SN) on a label.

<For reference> As the color identification,

the following alphabet shall be put in the underlined part.

For availability, delivery and minimum order quantity, contact JST.

ex. **BH2P-VH-1-oo**

(blank)...natural (ivory) BK...black R...red BL...blue

M...green Y...yellow